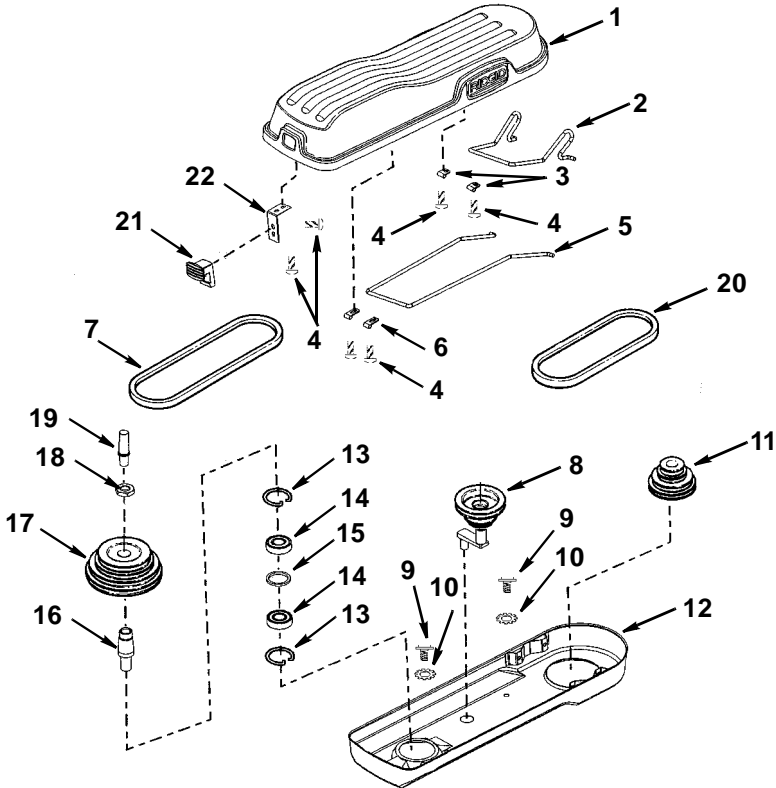


Repair Parts

Parts List for RIDGID 15" Drill Press Model No. DP15500 Figure 1

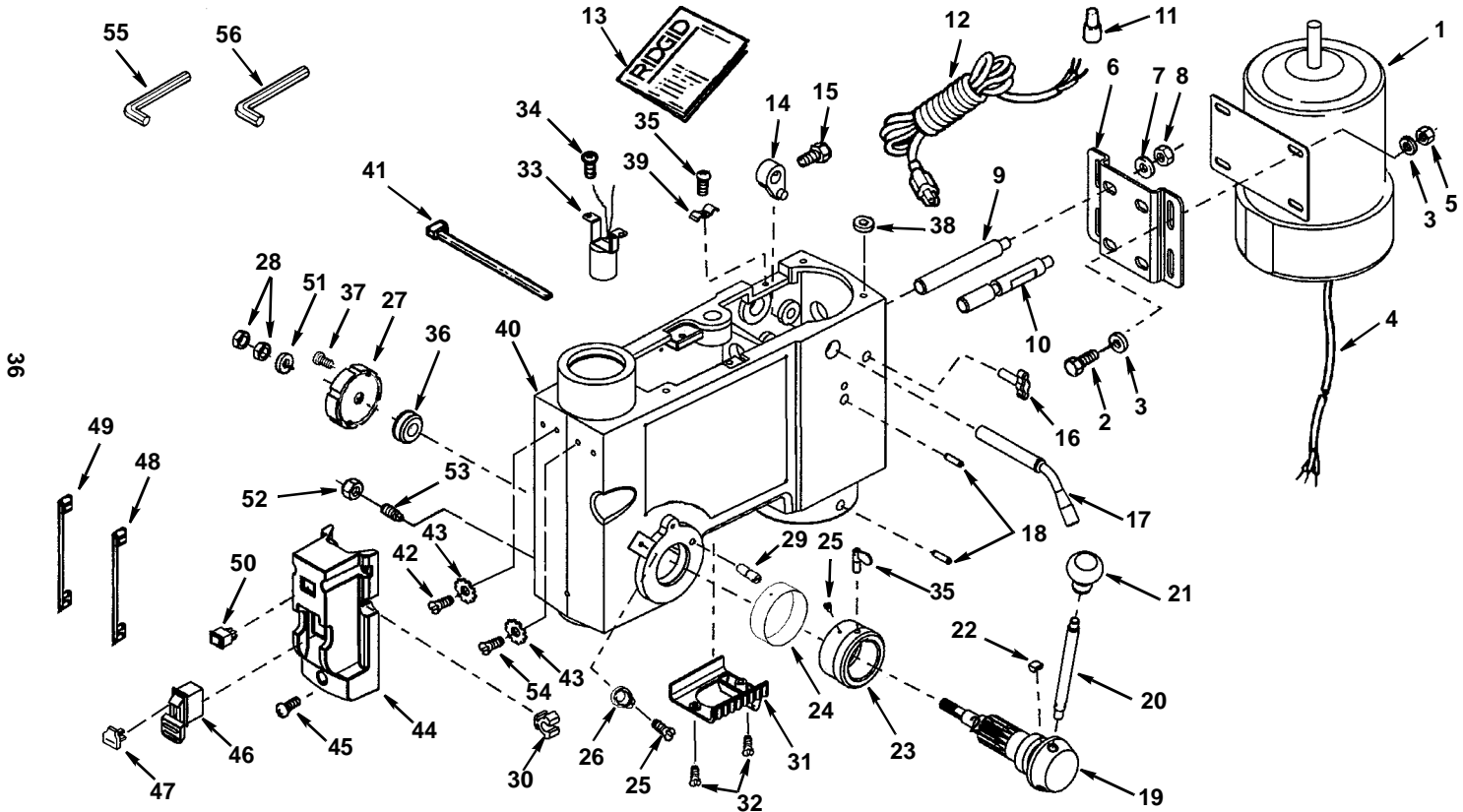


Always order by Part Number - Not by Key Number

Key No.	Part No.	Description	Key No.	Part No.	Description
1	829775	Guard Upper	11	828818	Pulley Asm - Motor
2	828814	Link - Rear	12	828816	Guard Lower
3	828812	Clamp - Rear Link	13	817537	Ring Retaining
4	828932	* Screw Pan Hd M5.5 x 1.8-12	14	817530	Bearing Ball 20 mm
5	828813	Link - Front	15	817536	Spacer
6	828811	Clamp - Front Link	16	821734	Insert Pulley
7	816439-4	Belt Poly V 27"	17	828849	Pulley Spindle
8	828919	Pulley Asm - Idler	18	821742	Nut Pulley
9	817358-1	* Screw Rd Hd Wash M6 x 1.0	19	829688	Cap Spindle
10	820241-5	* Lockwasher Ext M6	20	816439-5	Belt Poly V 25"
			21	828820	Latch
			22	828821	Spring Latch

* Standard hardware item - may be purchased locally.

Parts List for RIDGID 15" Drill Press
Model No. DP15500
Figure 2



Repair Parts

Parts List for RIDGID 15" Drill Press Model No. DP15500

Figure 2

Always order by Part Number -- Not by Key Number

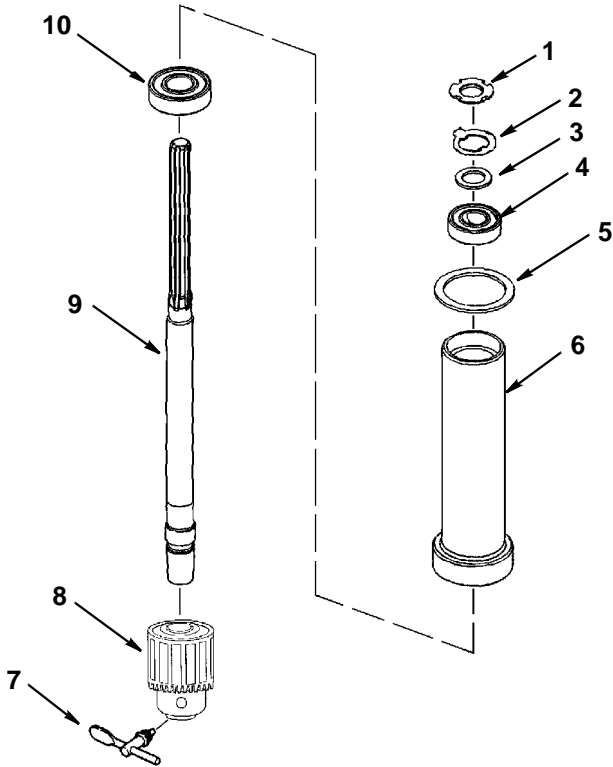
Key No.	Part No.	Description	Key No.	Part No.	Description
1	828929	* Motor	30	828877	Holder Key Chuck
2	820381-2	* Screw Hex Hd. M8 x 1.25-20	31	828963	Lens Assembly
3	821063-2	* Washer M8 x 16 x 1.6	32	820240-6	* Screw Pan Hd. M5 x 0.8-12
4	828940	Cord Motor	33	829595	Socket Bulb Asm.
5	824026-7	* Nut Hex M8 x 1.25	34	820244	* Screw Pan Hd. M6 x 1.0-12
6	817336-1	Mount Motor	35	817343	Lock Depth Screw
7	820383-8	* Lockwasher 12mm	36	828928	Bearing Pinion Shaft
8	820236-9	* Nut Hex M12 x 1.75	37	820378	Screw Soc Cap M4 x 0.7-10
9	817495	Support Motor Bracket	38	820294	Washer Foam
10	817516	Support Motor Bracket	39	829689	Clamp Cord
11	817330	Connector Wire	40	829826	Head Asm.
12	828941	Cord w/Plug	41	810506-3	Tie Wire
13	SP6431	Owners Manual	42	829803	Screw Hex Hd. Gnd. M5 x 0.8
14	817317	Lever Adjusting	43	820241-4	Lockwasher Ext. M5
15	820381-4	* Screw Hex Hd. M8 x 1.25-16	44	828921	Box Switch Asm.
16	817320	Knob Motor Adjusting	45	820240	* Screw Pan Hd. M5 x 0.8-16
17	817494	Handle Belt Tension	46	829787	Switch Locking
18	821750	Screw Hex Soc. Set M10 x 1.5-12	47	826122	Key Switch
19	828904	Hub Asm.	48	829597	Lead 3" Black
20	826445	Rod	49	829597-1	Lead 3" White
21	826441	Knob	50	828923	Switch Rocker
22	817300	Guide Scale	51	829690	Washer 12mm ID Plain
23	829590	Ring Depth Stop	52	820236-8	* Nut Hex M10 x 1.5
24	828876	Scale Depth	53	817308	Screw Sl. Set Fl Pt
25	816743-4	* Screw Pan Cr M4 x 0.7 x 8	54	820240-3	* Screw Pan Hd M5 x 0.8-6
26	826057	Pointer	55	813317-6	Wrench Hex "L" 3mm
27	828880	Spring Asm.	56	813317-8	Wrench Hex "L" 5mm
28	821738-3	* Nut Hex M12 x 1.5-8			
29	828917	Pin Stop			

* Standard hardware item - may be purchased locally.

• Any attempt to repair this motor may create a hazard unless repair is done by a qualified service technician.

Repair service is available at your nearest Authorized Service Center.

**Parts List for RIDGID 15" Drill Press
Model No. DP15500
Figure 3**

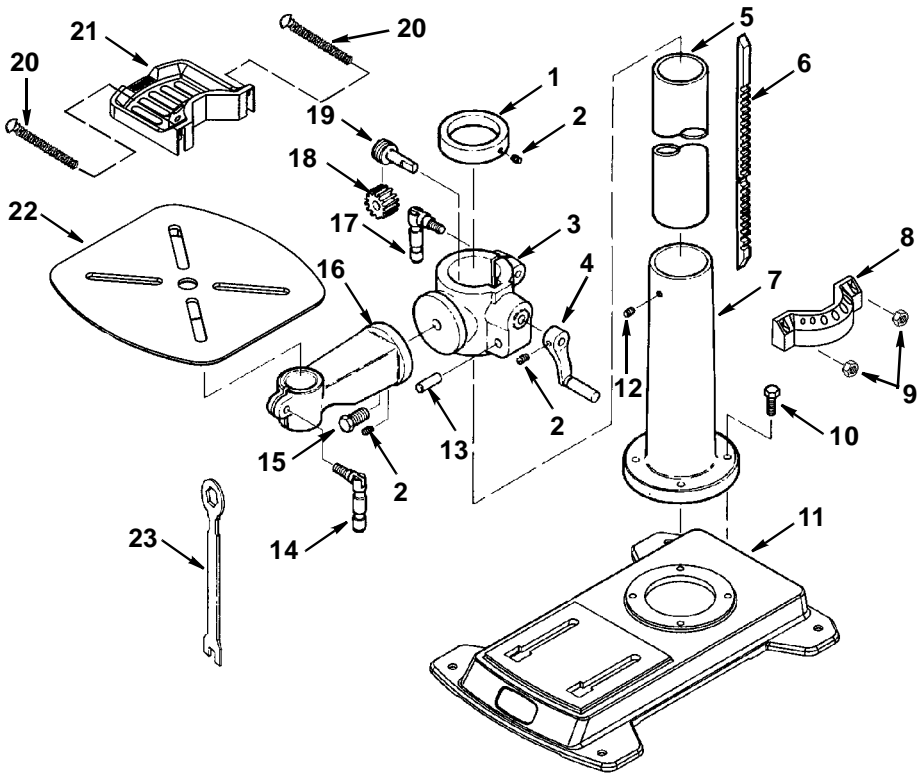


Always order by Part Number - Not by Key Number

Key No.	Part No.	Description	Key No.	Part No.	Description
1	817309	Lock Nut M17 x 1.0	6	828875	Tube Quill
2	817310	Ring Locking	7	817339	Key Chuck
3	817311	Washer	8	817340	Chuck
4	813480	Bearing Ball 17mm	9	828908	Spindle
5	817535	Gasket Quill	10	817529	Bearing Ball

Repair Parts

Parts List for RDIGID 15" Drill Press Model No. DP15500 Figure 4



Key No.	Part No.	Description	Key No.	Part No.	Description
1	817478	Collar Rack	12	821750	* Screw Hex Soc. Set M10 x 1.5-12
2	820245	* Screw Hex Soc. Set M6 x 1.0-10	13	817288	Pin Gear
3	821861-2	Support Table w/Indicator	14	817290-3	Clamp Table
4	826439	Crank (Includes Set Screw)	15	821732	Screw Hex Hd. M16 x 2.0-35
5	821880	Tube Column	16	817777-3	Arm Table w/Scale
6	828927	Rack	17	817294-2	Clamp Column
7	821881-1	Support Column	18	817350	Gear Helical
8	828870	Tray, Back	19	817349	Worm Elevation
9	813164-6	Nut Hex M5	20	10251002	* Screw Pan Hd Cr M5 x 0.8-60
10	821754	* Screw Hex Hd. M10 x 1.5-40	21	828871	Tray, Front
11	828961	Base	22	828903	Table
			23	826438	Wrench Hex 24mm

* Standard hardware item - may be purchased locally.