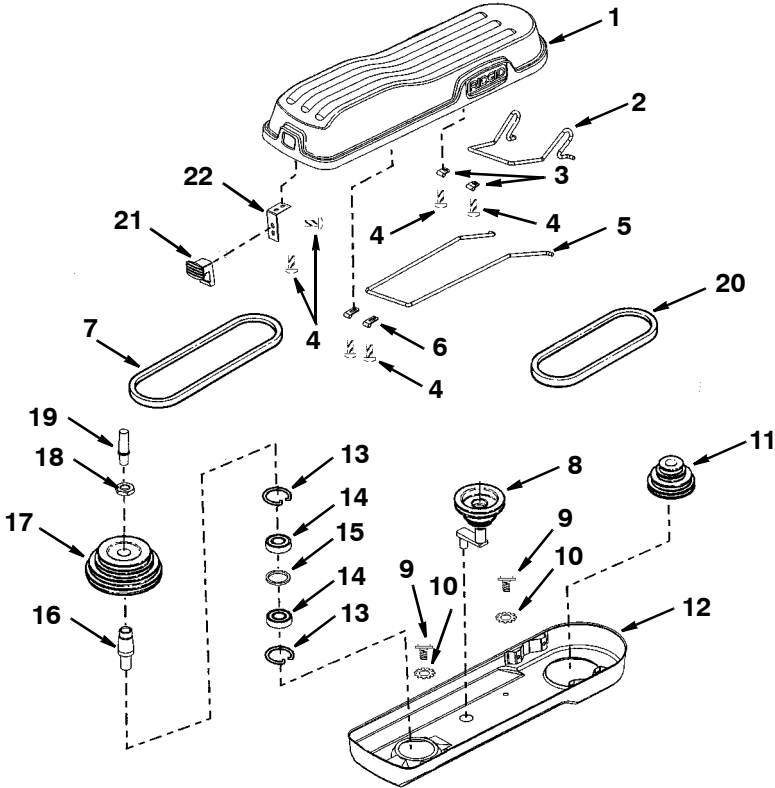


Parts List for RIDGID 15" Drill Press Model No. DP15501 Figure 1

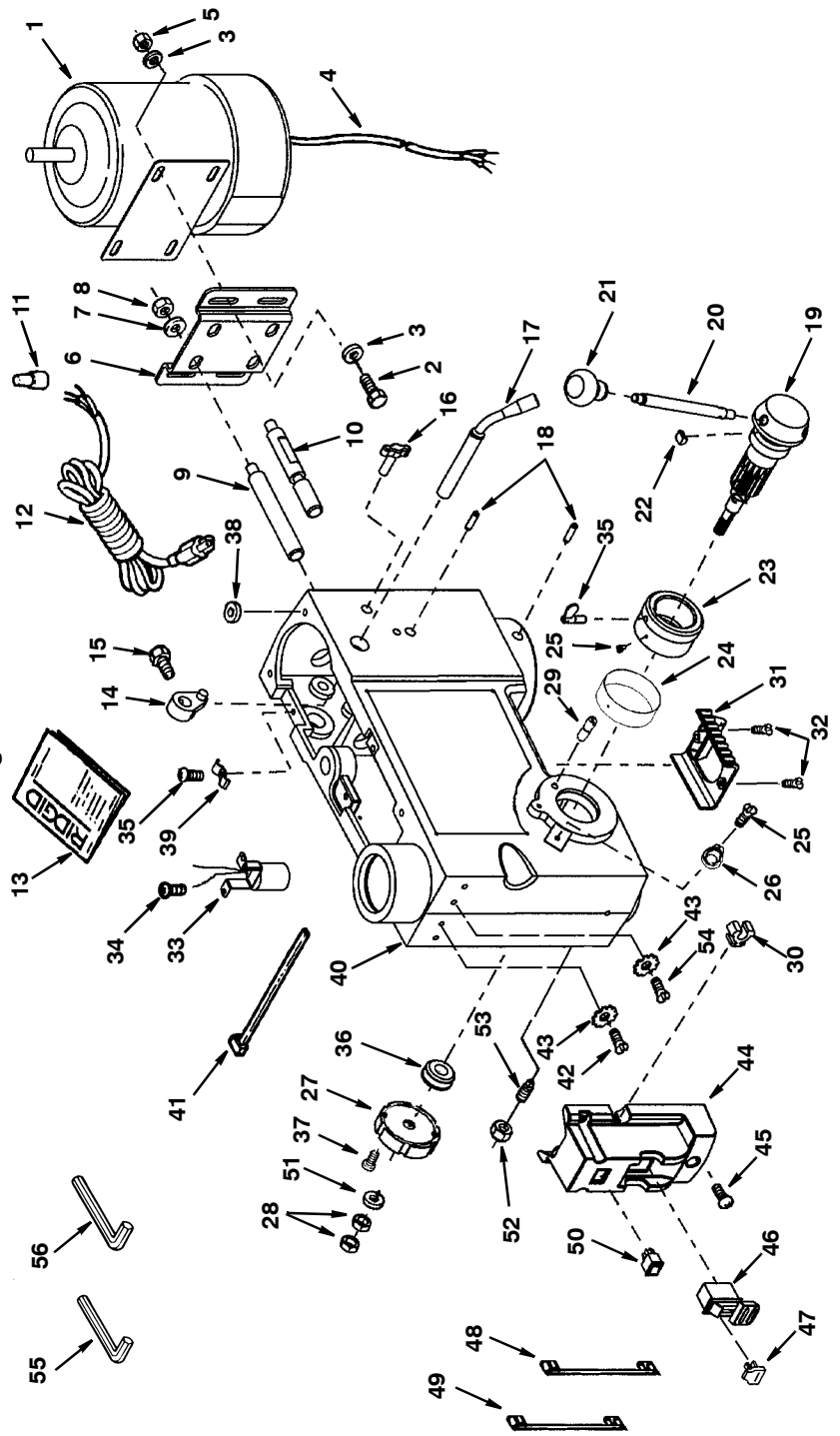


Always order by Part Number - Not by Key Number

| Key No. | Part No. | Description | Key No. | Part No. | Description |
|---------|----------|---------------------------------|---------|----------|--------------------|
| 1 | 829775 | Guard Upper | 11 | 828818 | Pulley Asm - Motor |
| 2 | 828814 | Link - Rear | 12 | 828816 | Guard Lower |
| 3 | 828812 | Clamp - Rear Link | 13 | 817537 | Ring Retaining |
| 4 | 828932 | * Screw Pan Hd M5.5 x 1.8-12 | 14 | 817530 | Bearing Ball 20 mm |
| 5 | 828813 | Link - Front | 15 | 817536 | Spacer |
| 6 | 828811 | Clamp - Front Link | 16 | 821734 | Insert Pulley |
| 7 | 816439-4 | Belt Poly V 27" | 17 | 828849 | Pulley Spindle |
| 8 | 828919 | Pulley Asm - Idler | 18 | 821742 | Nut Pulley |
| 9 | 817358-1 | * Screw Rd Hd Wash M6 x 1.0 | 19 | 829688 | Cap Spindle |
| 10 | 820241-5 | * Lockwasher Ext M6 | 20 | 816439-5 | Belt Poly V 25" |
| | | | 21 | 828820 | Latch |
| | | | 22 | 828821 | Spring Latch |

* Standard hardware item - may be purchased locally.

**Parts List for RIDGID 15" Drill Press
Model No. DP15501
Figure 2**



Repair Parts

Parts List for RIDGID 15" Drill Press

Model No. DP15501

Figure 2

Always order by Part Number -- Not by Key Number

| Key No. | Part No. | Description | Key No. | Part No. | Description |
|---------|----------|------------------------------------|---------|----------|--------------------------------|
| 1 | 828929 | * Motor | 30 | 828877 | Holder Key Chuck |
| 2 | 820381-2 | * Screw Hex Hd. M8 x 1.25-20 | 31 | 828963 | Lens Assembly |
| 3 | 821063-2 | * Washer M8 x 16 x 1.6 | 32 | 820240-6 | * Screw Pan Hd. M5 x 0.8-12 |
| 4 | 828940 | Cord Motor | 33 | 829595 | Socket Bulb Asm. |
| 5 | 824026-7 | * Nut Hex M8 x 1.25 | 34 | 820244 | * Screw Pan Hd. M6 x 1.0-12 |
| 6 | 817336-1 | Mount Motor | 35 | 817343 | Lock Depth Screw |
| 7 | 820383-8 | * Lockwasher 12mm | 36 | 828928 | Bearing Pinion Shaft |
| 8 | 820236-9 | * Nut Hex M12 x 1.75 | 37 | 820378 | Screw Soc Cap M4 x 0.7-10 |
| 9 | 817495 | Support Motor Bracket | 38 | 820294 | Washer Foam |
| 10 | 817516 | Support Motor Bracket | 39 | 829689 | Clamp Cord |
| 11 | 817330 | Connector Wire | 40 | 829826 | Head Asm. |
| 12 | 828941 | Cord w/Plug | 41 | 810506-3 | Tie Wire |
| 13 | SP6490 | Operator's Manual | 42 | 829803 | Screw Hex Hd. Gnd. M5 x 0.8 |
| 14 | 817317 | Lever Adjusting | 43 | 820241-4 | Lockwasher Ext. M5 |
| 15 | 820381-4 | * Screw Hex Hd. M8 x 1.25-16 | 44 | 828921 | Box Switch Asm. |
| 16 | 817320 | Knob Motor Adjusting | 45 | 820240 | * Screw Pan Hd. M5 x 0.8-16 |
| 17 | 817494 | Handle Belt Tension | 46 | 829787 | Switch Locking |
| 18 | 821750 | Screw Hex Soc. Set M10 x 1.5-12 | 47 | 826122 | Key Switch |
| 19 | 828904 | Hub Asm. | 48 | 829597 | Lead 3" Black |
| 20 | 826445 | Rod | 49 | 829597-1 | Lead 3" White |
| 21 | 826441 | Knob | 50 | 828923 | Switch Rocker |
| 22 | 817300 | Guide Scale | 51 | 829690 | Washer 12mm ID Plain |
| 23 | 829590 | Ring Depth Stop | 52 | 820236-8 | * Nut Hex M10 x 1.5 |
| 24 | 828876 | Scale Depth | 53 | 817308 | Screw Sl. Set Fl Pt |
| 25 | 816743-4 | * Screw Pan Cr M4 x 0.7 x 8 | 54 | 820240-3 | * Screw Pan Hd M5 x 0.8-6 |
| 26 | 826057 | Pointer | 55 | 813317-6 | Wrench Hex "L" 3mm |
| 27 | 828880 | Spring Asm. | 56 | 813317-8 | Wrench Hex "L" 5mm |
| 28 | 821738-3 | * Nut Hex M12 x 1.5-8 | | | |
| 29 | 828917 | Pin Stop | | | |

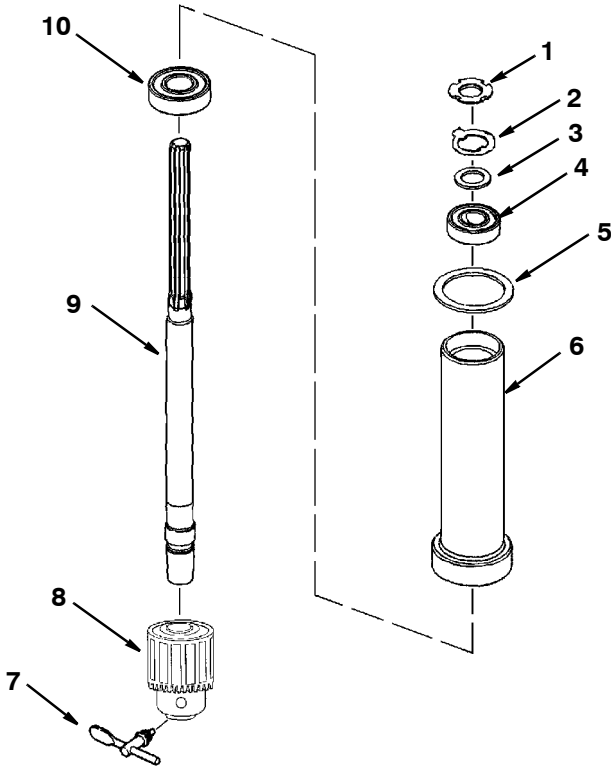
* Standard hardware item - may be purchased locally.

• Any attempt to repair this motor may create a hazard unless repair is done by a qualified service technician.

Repair service is available at your nearest Authorized Service Center.

**Parts List for RIDGID 15" Drill Press
Model No. DP15501**

Figure 3



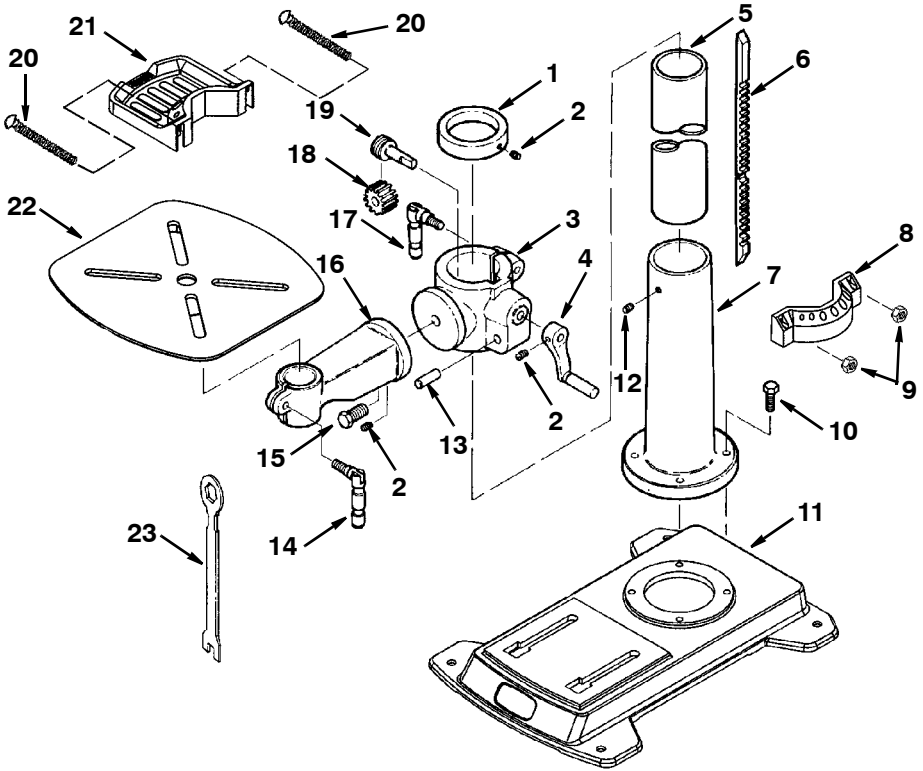
Always order by Part Number - Not by Key Number

| Key No. | Part No. | Description |
|---------|----------|--------------------|
| 1 | 817309 | Lock Nut M17 x 1.0 |
| 2 | 817310 | Ring Locking |
| 3 | 817311 | Washer |
| 4 | 813480 | Bearing Ball 17mm |
| 5 | 817535 | Gasket Quill |

| Key No. | Part No. | Description |
|---------|----------|--------------|
| 6 | 828875 | Tube Quill |
| 7 | 817339 | Key Chuck |
| 8 | 817340 | Chuck |
| 9 | 828908 | Spindle |
| 10 | 817529 | Bearing Ball |

Repair Parts

Parts List for RDIGID 15" Drill Press Model No. DP15501 Figure 4



| Key No. | Part No. | Description | Key No. | Part No. | Description |
|---------|----------|----------------------------------|---------|----------|-----------------------------------|
| 1 | 817478 | Collar Rack | 12 | 821750 | * Screw Hex Soc. Set M10 x 1.5-12 |
| 2 | 820245 | * Screw Hex Soc. Set M6 x 1.0-10 | 13 | 817288 | Pin Gear |
| 3 | 821861-2 | Support Table w/Indicator | 14 | 817290-3 | Clamp Table |
| 4 | 826439 | Crank (Includes Set Screw) | 15 | 821732 | Screw Hex Hd. M16 x 2.0-35 |
| 5 | 821880 | Tube Column | 16 | 817777-3 | Arm Table w/Scale |
| 6 | 828927 | Rack | 17 | 817294-2 | Clamp Column |
| 7 | 821881-1 | Support Column | 18 | 817350 | Gear Helical |
| 8 | 828870 | Tray, Back | 19 | 817349 | Worm Elevation |
| 9 | 813164-6 | Nut Hex M5 | 20 | 10251002 | * Screw Pan Hd Cr M5 x 0.8-60 |
| 10 | 821754 | * Screw Hex Hd. M10 x 1.5-40 | 21 | 828871 | Tray, Front |
| 11 | 828961 | Base | 22 | 828903 | Table |
| | | | 23 | 826438 | Wrench Hex 24mm |

* Standard hardware item - may be purchased locally.