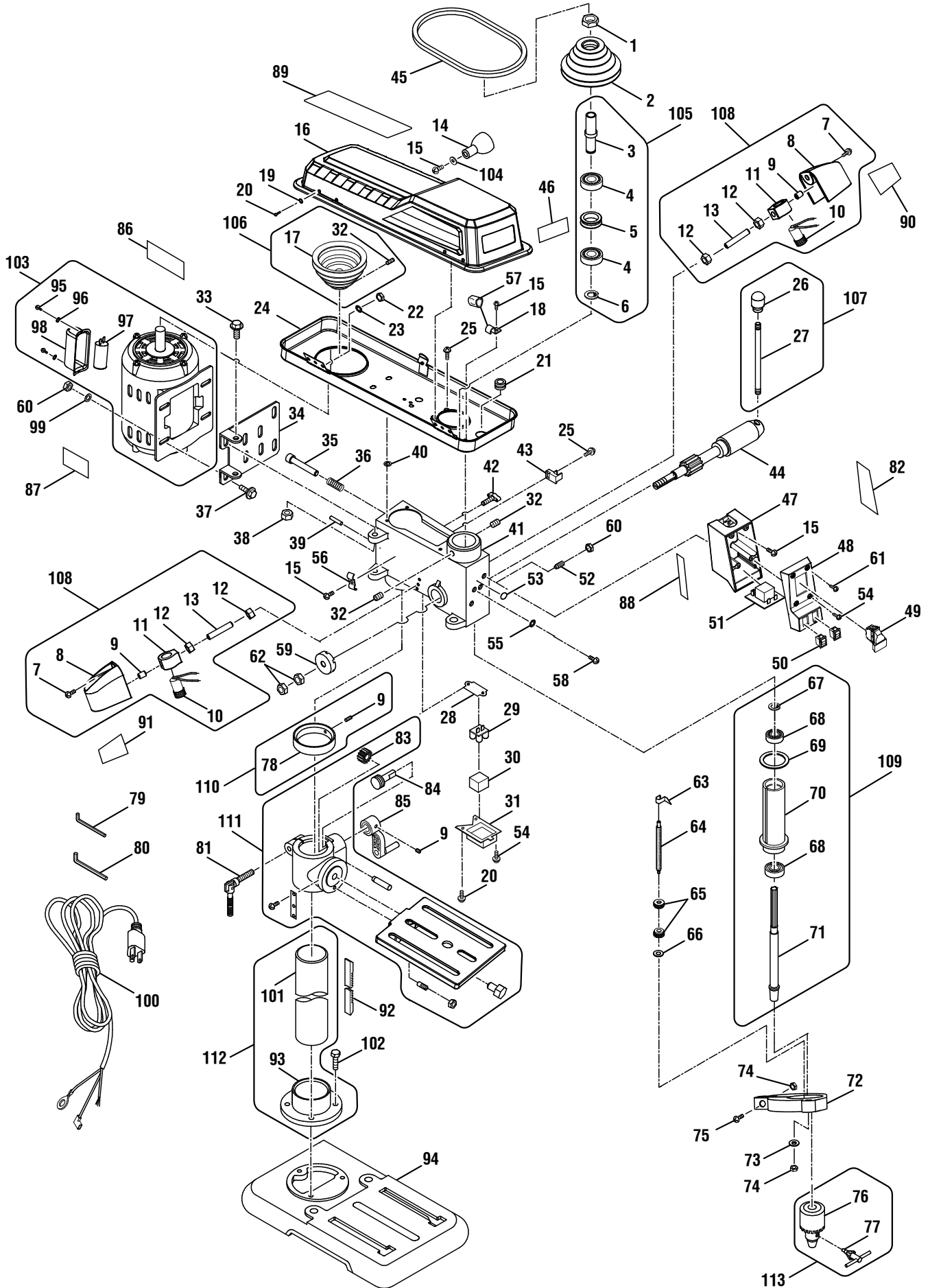


RYOBI
10 in. Drill Press
Model No. DP103L
Repair Sheet

ONE WORLD TECHNOLOGIES, INC.
P.O. Box 1288, Anderson, SC 29622
Phone 1-800-525-2579
www.ryobitools.com

RYOBI 10 in. DRILL PRESS - DP103L



RYOBI 10 in. DRILL PRESS – DP103L

The model number will be found on a label attached to the motor housing. Always mention the model number in all correspondence regarding your **DRILL PRESS** or when ordering replacement parts.

PARTS LIST

KEY NO.	PART NUMBER	DESCRIPTION	QTY	KEY NO.	PART NUMBER	DESCRIPTION	QTY
1	089140314001	Hex Nut (1 in. x 20).....	1	33	089140314033	Screw (M8 x 25 mm, Hex Hd.)	2
2	089140314002	Driven Pulley	1	34	089140314034	Connect Plate	1
3	089140314003	Transmission Shaft.....	1	35	089140314035	Motor Rod	1
4	089140314004	Ball Bearing (6203RZ)	2	36	089140314036	Compression Spring	1
5	089140314005	Spacer Ring.....	1	37	089140314037	Screw (M8 x 16 mm, Flange Hex Hd.).....	4
6	089140314006	Spring Washer.....	1	38	089140314038	Lock Nut (M8).....	2
7	089140314007	Screw (M6 x 12 mm)	2	39	089140314039	Spring Pin (4 x 18).....	1
8	089140314712	Laser Cover Assembly (Inc. Key Nos. 111-112).....	2	40	089140314040	Washer (6.3 x 19 x 4t).....	4
9	089140314009	Set Screw (M6 x 10 mm).....	4	41	089140314041	Head.....	1
10	089140314010	Laser Lamp	2	42	089140314042	Knob Screw.....	1
11	089140314011	Lamp Bracket.....	2	43	089140314043	Chuck Key Holder	1
12	089140314012	Hex Nut (M6)	4	44	089140314044	Gear Shaft Assembly	1
13	089140314013	Hex Screw (M6 x 25 mm).....	2	45	089140314045	V Belt (K-30)	1
14	089140314014	Belt Cover Handle	1	46	089140314900	Logo Label	1
15	089140314015	Screw (M5 x 12 mm, Pan Hd.)	7	47	089140314047	Switch Box	1
16	089140314713	Upper Belt Cover Assembly (Inc. Key Nos 105 & 110).....	1	48	089140314048	Switch Box Cover.....	1
17	089140314017	Drive Pulley	1	49	089140314049	Switch Key	1
18	089140314018	Cord Clamp.....	3	50	089140314050	Switch	2
19	089140314019	Washer	4	51	089140314051	Circuit Board Assembly.....	1
20	089140314020	Screw (M4 x 10 mm, Pan Hd.)	6	52	089140314052	Set Screw (M8 x 14 mm).....	1
21	089140314021	Grommet	2	53	089140314053	Ground Label.....	1
22	089140314022	Hex Nut (M4)	4	54	089140314054	Screw (M4.2 x 12 mm)	4
23	089140314023	External Tooth Lock Washer	4	55	089140314055	External Tooth Lock Washer	2
24	089140314024	Lower Cover.....	1	56	089140314056	Cord Clamp.....	1
25	089140314025	Screw (M6 x 12 mm, Pan Hd.)	5	57	089140314057	Sleeve.....	3
26	089140314109	Handle Head	3	58	089140314058	Screw (M5 x 6 mm)	2
27	089140314027	Handle Bar	3	59	089140314059	Torsion Spring and Cap Assembly	1
28	089140314028	LED Cover	1	60	089140314060	Hex Nut (M8)	5
29	089140314029	LED Lamp.....	1	61	089140314061	Screw (M4.2 x 25 mm)	2
30	089140314030	LED Shade	1	62	089140314062	Hex Nut (3/8-24).....	2
31	089140314031	LED Holder.....	1	63	089140314110	Pointer.....	1
32	089140314032	Set Screw (M8 x 8 mm).....	4	64	089140314064	Set bolt.....	1
				65	089140314065	Hex Nut (M10)	2

RYOBI 10 in. DRILL PRESS – DP103L

The model number will be found on a label attached to the motor housing. Always mention the model number in all correspondence regarding your **DRILL PRESS** or when ordering replacement parts.

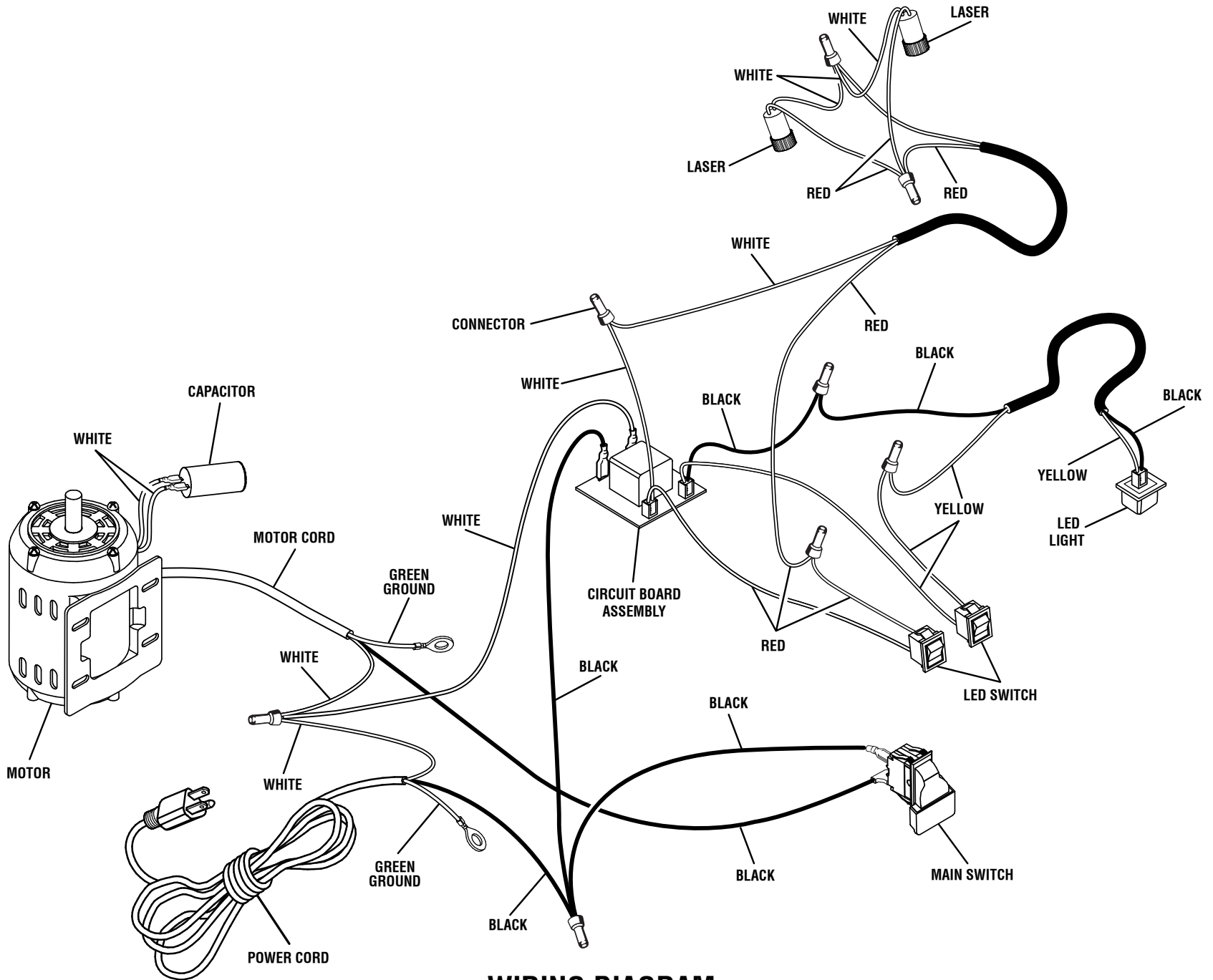
PARTS LIST

KEY PART NO. NUMBER	DESCRIPTION	QTY	KEY PART NO. NUMBER	DESCRIPTION	QTY		
66	089140314066	Big Washer	1	95	089140314095	Screw (M4 x 6 mm)	2
67	089140314067	Retaining Ring	1	96	089140314096	Washer (M4)	2
68	089140314068	Ball Bearing (6201RZ)	2	97	089140314097	Capacitor	1
69	089140314069	Rubber Washer	1	98	089140314098	Capacitor Cover	1
70	089140314070	Quill	1	99	089140314099	Washer	4
71	089140314071	Shaft	1	100	089140314100	Power Cord	1
72	089140314072	Depth Adjustment Bracket ...	1	101	089140314101	Pillar	1
73	089140314073	Washer (M6)	1	102	089140314102	Hex Bolt (M8 x 25 mm)	3
74	089140314074	Hex Nut (M6)	2	103	089140314704	Motor Assembly (Inc. Key Nos. 86-87 & 95-98)	1
75	089140314075	Cap Screw (M6 x 20, Hex Soc. Hd.)	1	104	089140314104	Washer	1
76	089140314076	Chuck	1	105	089140314701	Transmission Assembly (Inc. Key Nos. 3-6)	1
77	089140314077	Chuck Key	1	106	089140314702	Drive Pulley Assembly (Inc. Key Nos. 17 & 32)	1
78	089140314078	Rack Ring	1	107	089140314703	Feed Handle Assembly (Inc. Key Nos. 26-27)	1
79	089140314079	Hex Key (M3 x 57 mm)	1	108	089140314705	Laser Assembly (Inc. Key Nos. 7-13)	2
80	089140314080	Hex Key (M4 x 64 mm)	1	109	089140314706	Spindle Assembly (Inc. Key Nos. 67-71)	1
81	089140314107	Table Lock Handle	1	110	089140314707	Rack Ring Assembly (Inc. Key Nos. 9 and 78)	1
82	089140314901	Laser Danger Label	1	111	089140314708	Table & Table Bracket Assembly (Inc. Key No. 83) ..	1
83	089140314083	Inner Gear	1	112	089140314709	Pillar Assembly (Inc. Key Nos. 93 & 101)	1
84	089140314084	Worm Gear	1	113	089140314710	Chuck and Key Assembly (Inc. Key Nos. 76-77)	1
85	089140314085	Crank Handle	1				
86	089140314902	Warning Label	1				
87	089140314903	Data Label	1				
88	089140314904	Depth Scale Label	1				
89	089140314905	Speed Chart Label	1				
90	089140314909	Aperture Warning Label (Right)	1				
91	089140314906	Aperture Warning Label (Left)	1				
92	089140314092	Rack	1				
93	089140314093	Column Table	1				
94	089140314094	Base	1				

Not Shown:

990000846 Operator's Manual
8-31-18
(Rev:03)

RYOBI 10 in. DRILL PRESS – DP103L



WIRING DIAGRAM