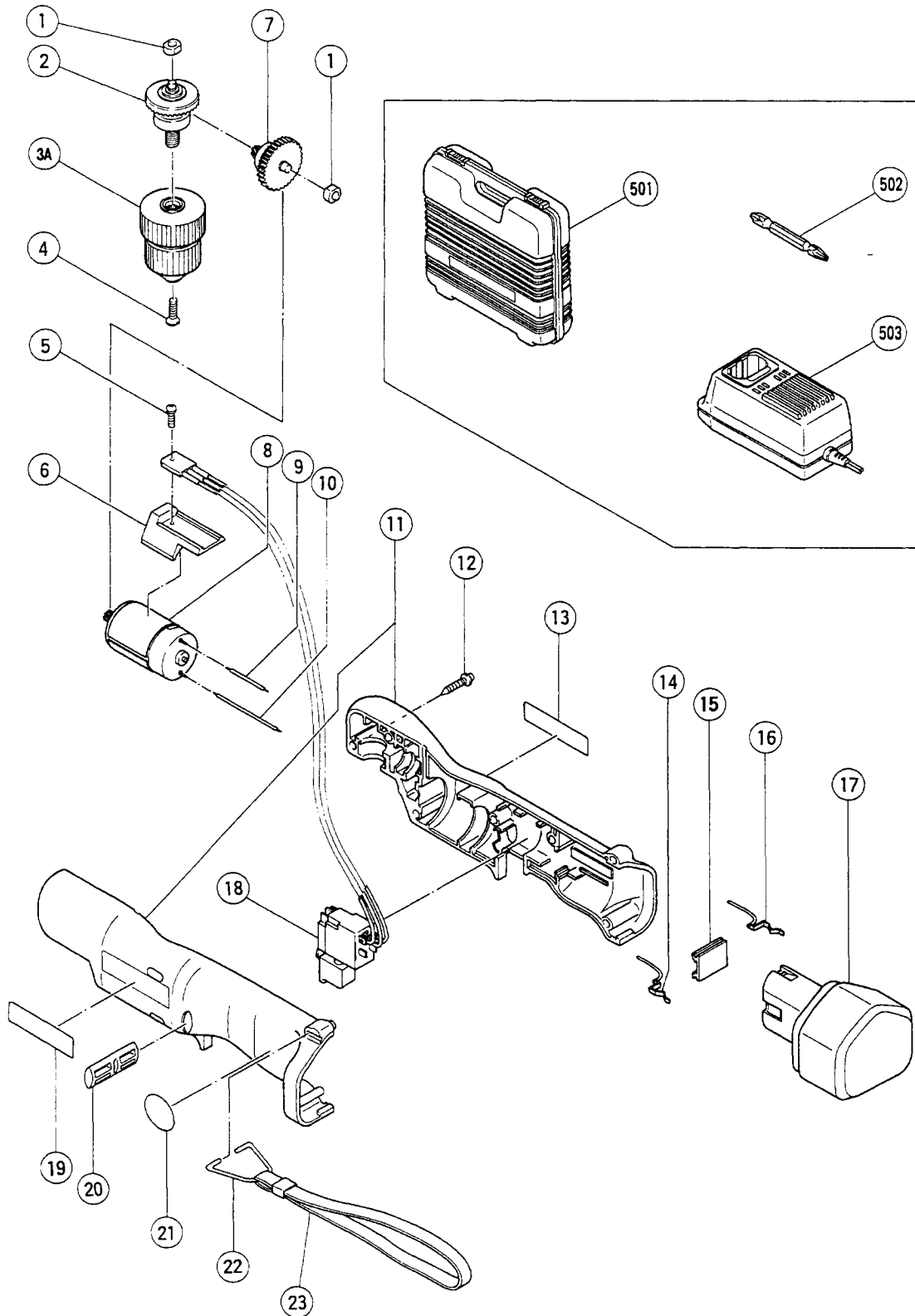


## ELECTRIC TOOL PARTS LIST

■ CORDLESS ANGLE DRILL  
Model DN 10DY

1998·6·15  
(E2)





**STANDARD ACCESSORIES**

DN 10DY

ITEM NO.	CODE NO.	DESCRIPTION	NO. USED	REMARKS
501	308-314	CASE	1	
502	983-006	+ DRIVER BIT NO.2 65L	1	
503		CHARGER (MODEL UC 12Y)	1	

**OPTIONAL ACCESSORIES**

ITEM NO.	CODE NO.	DESCRIPTION	NO. USED	REMARKS
601	955-656	- DRIVER BIT (A) 3MMX50L	1	
602	955-657	- DRIVER BIT (A) 3MMX70L	1	
603	955-658	- DRIVER BIT (A) 4MMX50L	1	
604	955-659	- DRIVER BIT (A) 4MMX70L	1	
605	955-673	- DRIVER BIT (A) 6MMX50L	1	
606	955-674	- DRIVER BIT (A) 6MMX70L	1	
607	983-004	+ DRIVER BIT NO.1 65L	1	
608	983-005	+ DRIVER BIT (A) NO.2 45L	1	
609	983-010	+ DRIVER BIT (A) NO.3 45L	1	
610	983-011	+ DRIVER BIT NO.3 65L	1	