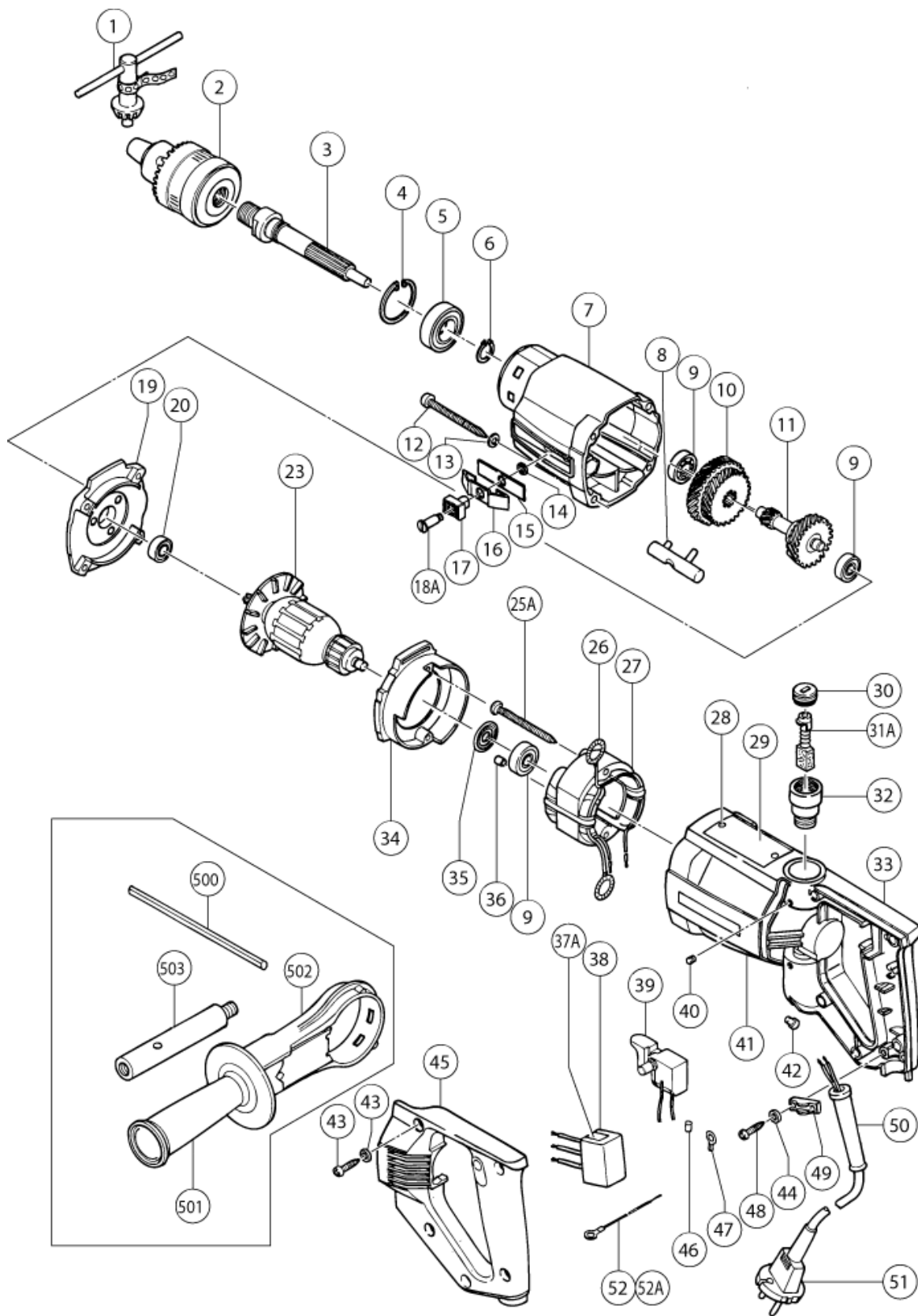


Item #	Descriptions	QTY
1	930733 CHUCK WRENCH 13G	1
2	950284 DRILL CHUCK 16WL	1
3	981631Z SPINDLE	1
4	963178 RETAINING RING FOR D42 HOLE	1
5	6302VV BALL BEARING 6302VVCMP2L	1
6	939544 RETAINING RING FOR D15 SHAFT (10 PCS.)	1
7	981630Z GEAR COVER	1
8	981573 SHIFT ROD	1
9	608VVM BALL BEARING 608VVC2PS2L	3
10	981570 GEAR	1
11	981569 SECOND PINION	1
12	949454 SPRING WASHER M5 (10 PCS.)	6
13	955912 TAPPING SCREW D5X45	4
14	942864 SUPER LOCK WASHER M5	1
15	981574 SEAL PLATE	1
16	981575 SHIFT SPRING	1
17	981576 SHIFT LEVER	1
18A	981577 SPECIAL FLAT HD. SCREW M5 (SEAL LOCK)	1
19	982791 INNER COVER ASS'Y	1
20	609VVM BALL BEARING 609VVC2PS2L	1
23	981611C ARMATURE 110V-127V	1
23	981611F ARMATURE 240V	1
23	981611E ARMATURE 220V-230V	1
25A	991007 TAPPING SCREW D5X60	2
26	930703 BRUSH TERMINAL	2
27	981610E STATOR ASS'Y 220V-230V	1
27	981610H STATOR ASS'Y 240V	1
27	981610G STATOR ASS'Y 220V-230V	1
27	981610F STATOR ASS'Y 240V	1
27	981610C STATOR ASS'Y 110V-127V	1
28	932642 RIVET D2.5X2.8	2
29	NAME PL	1
30	961781 BRUSH CAP	2
31A	999073 CARBON BRUSH (AUTO STOP TYPE) (1 PAIR)	2
32	981586 BRUSH HOLDER	2
33	981560 HOUSING ASS'Y	1
34	981562 FAN GUIDE	1
35	984367 WASHER (C)	1
36	946362 BEARING LOCK	1

37A	994273	NOISE SUPPRESSOR	1
38	930153	SUPPORT (B)	1
39	971667Z	SWITCH (2P PILLAR TYPE) W/LOCK	1
40	949365	SLOTTED HD. SET SCREW M4X5 (10 PCS.)	2
42	959140	CONNECTOR 50091 (10 PCS.)	1
43	956384	TAPPING SCREW D4X20	7
44	949423	WASHER M4 (10 PCS.)	7
45	981578	HANDLE COVER (GREEN)	1
46	981373	TUBE (D)	2
47	938108	TERMINAL	1
48	954004	TAPPING SCREW D4X16	2
49	960266	CORD CLIP	1
50	953327	CORD ARMOR D8.8	1
50	938051	CORD ARMOR D10.1	1
51	500231Z	CORD	1
51	500247Z	CORD	1
51	500439Z	CORD	1
51	500234Z	CORD	1
51	500248Z	CORD	1
51	500423Z	CORD	1
51	500245Z	CORD	1
51	500201Z	CORD	1
51	500240Z	CORD	1
52A	986277	INTERNAL WIRE	1
52	981500	INTERNAL WIRE	1
501	981579	SIDE HANDLE ASS'Y	1
502	981580	HANDLE PLATE	1
503	983987	HANDLE JOINT	1
601	981633Z	SPINDLE ADAPTER	1



形名
DMT-16