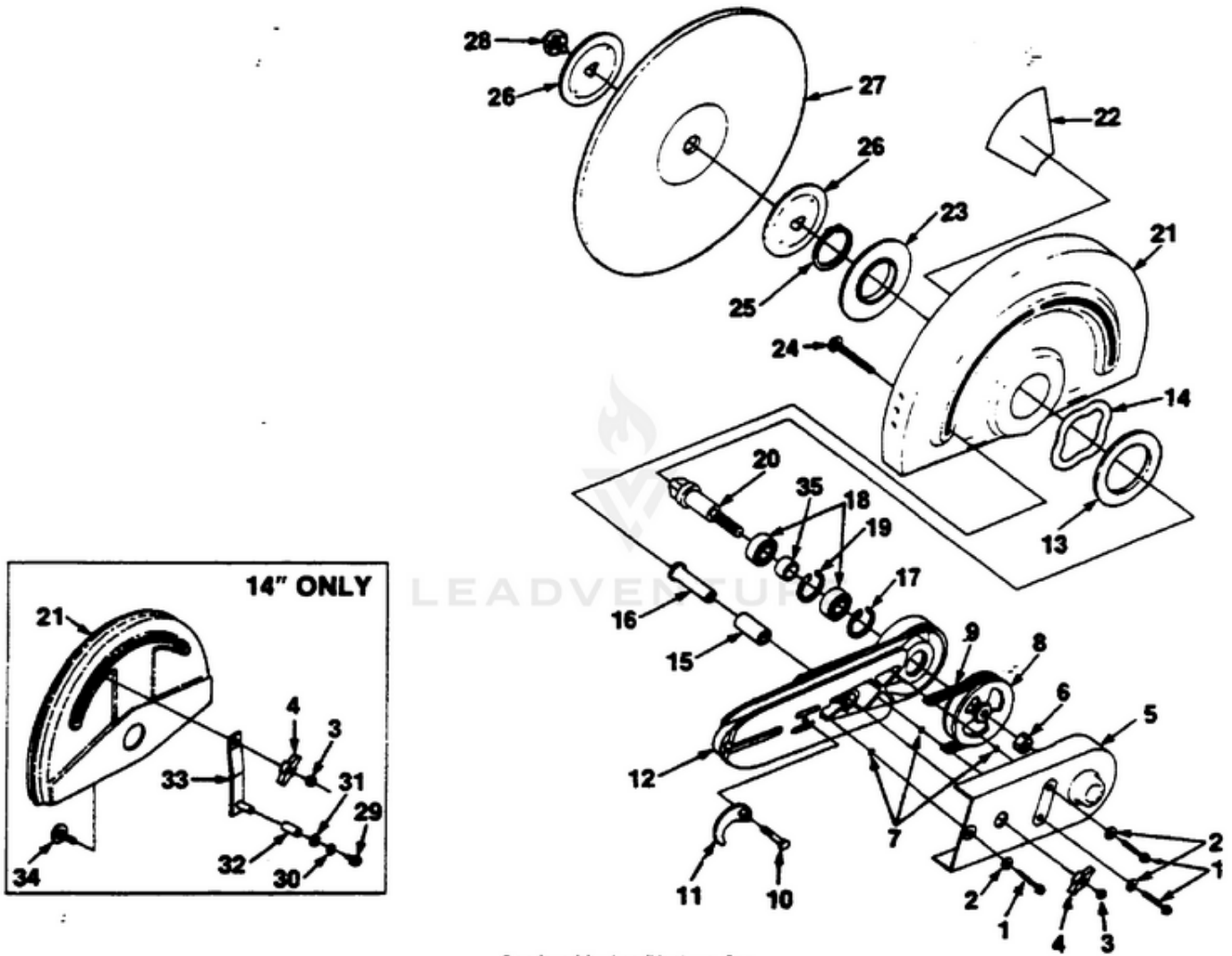


DM54 Multi Purpose Saw UT-05034 05034-UT DM54 Multi Purpose Saw UT-05034 DM54 Multi Purpose Saw - Blade Arm

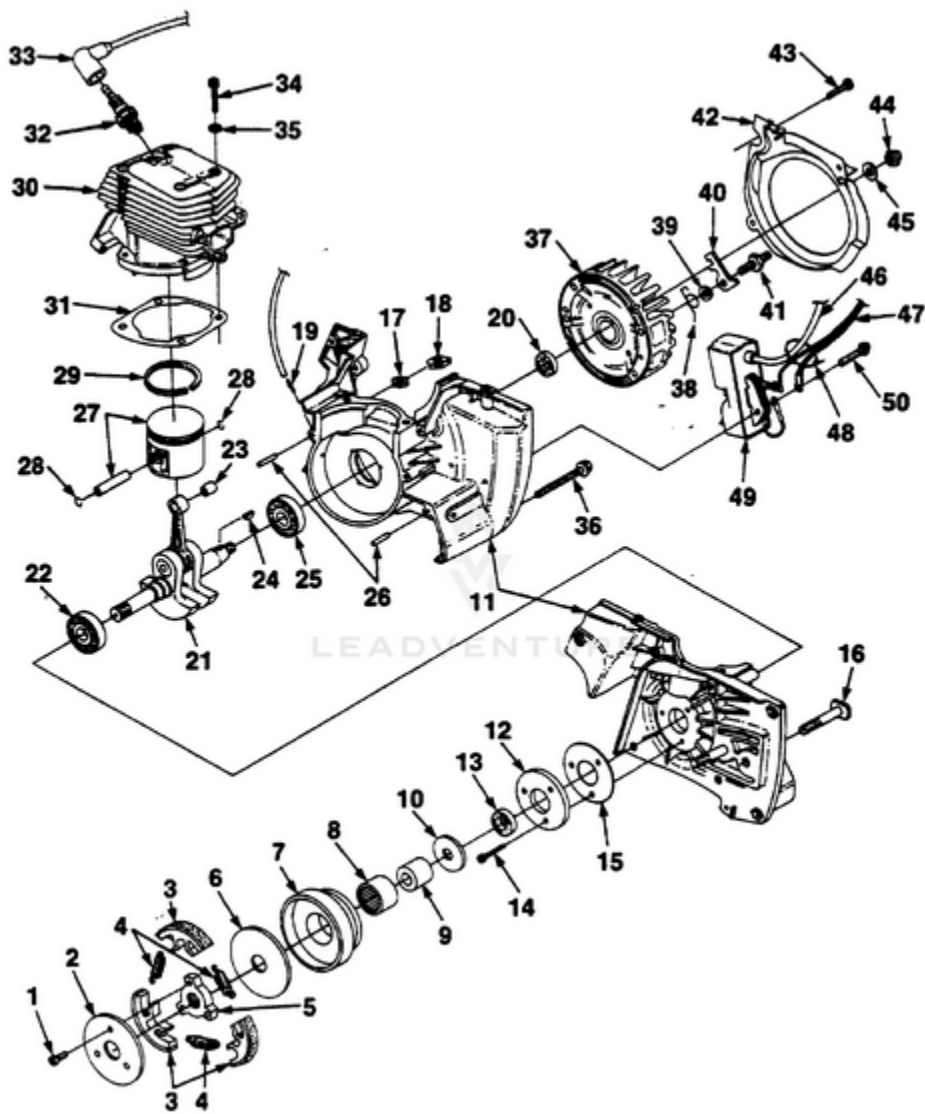


Rendered by LeadVenture, Inc.

Ref #	Part #	Description	Qty
1	94143	SCREW- Slotted (1/4-20 x 1 1/2")	3
2	84026	WASHER- Flat (1/4")	3
3	JA443106	NUT	1
4	JA339550	KNOB	1
5	43966A	COVER- Arm	1
6	81245	NUT- Hex lock (1/2-13)	1
7	46462	"O" RING	3
8	439981A	PULLEY- Driven	1
9	46068	BELT- "V" drive	1
10	80087	SCREW- Hex hd. (5/16-18 x 11/2")	1
11	A49194	USE UP03371	1
12	A49558	NLA(NO LONGER AVAILABLE)	1
13	47387	SHIM	1
14	47388	SPRING- Wave	1
15	46455	TUBING- Rubber (12" only)	1
16	46456B	SPACER- Guard adjusting (12" only)	1
17	31746	RING- Retaining	1
18	63107S	BEARING- Ball	2
19	47207	RING- Retaining	1
20	46079A	SHAFT- Wheel	1
21	A434621A	GUARD- Wheel (12" only)	1
	A49580	USE UP07142	1
22	48922	LABEL- Caution	1
23	46000	WASHER- Mounting (12" only)	1
	460001	WASHER- Mounting (14" only)	1
24	82534	BOLT- Step (5/16-18 x 31/2") (12" Only)	1
25	46065	RING	1

<b>Ref #</b>	<b>Part #</b>	<b>Description</b>	<b>Qty</b>
26	439961A	FLANGE- Wheel	2
27	64598	WHEEL- Resinoid (12" only)	1
	49559	WHEEL- Resinoid (14" only)	1
28	A48783A	KIT- Screw, Washer, & Retaining	1
29	88048	SCREW- Hex cap (1/4-20 x 5/8") (14" Only)	1
30	83009	WASHER- Lock (1/4") (14" only)	1
31	84027	WASHER- Flat (5/16") (14" only)	1
32	49553A	TUBING- Rubber (14" only)	1
33	A-49789	ARM- Adjusting (14" only)	1
34	82519A	SCREW- Adjusting (14" only)	1
35	46067	SPACER- Bearing	1

DM54 Multi Purpose Saw UT-05034 05034-UT DM54 Multi Purpose Saw UT-05034 DM54 Multi Purpose Saw - Engine Internals

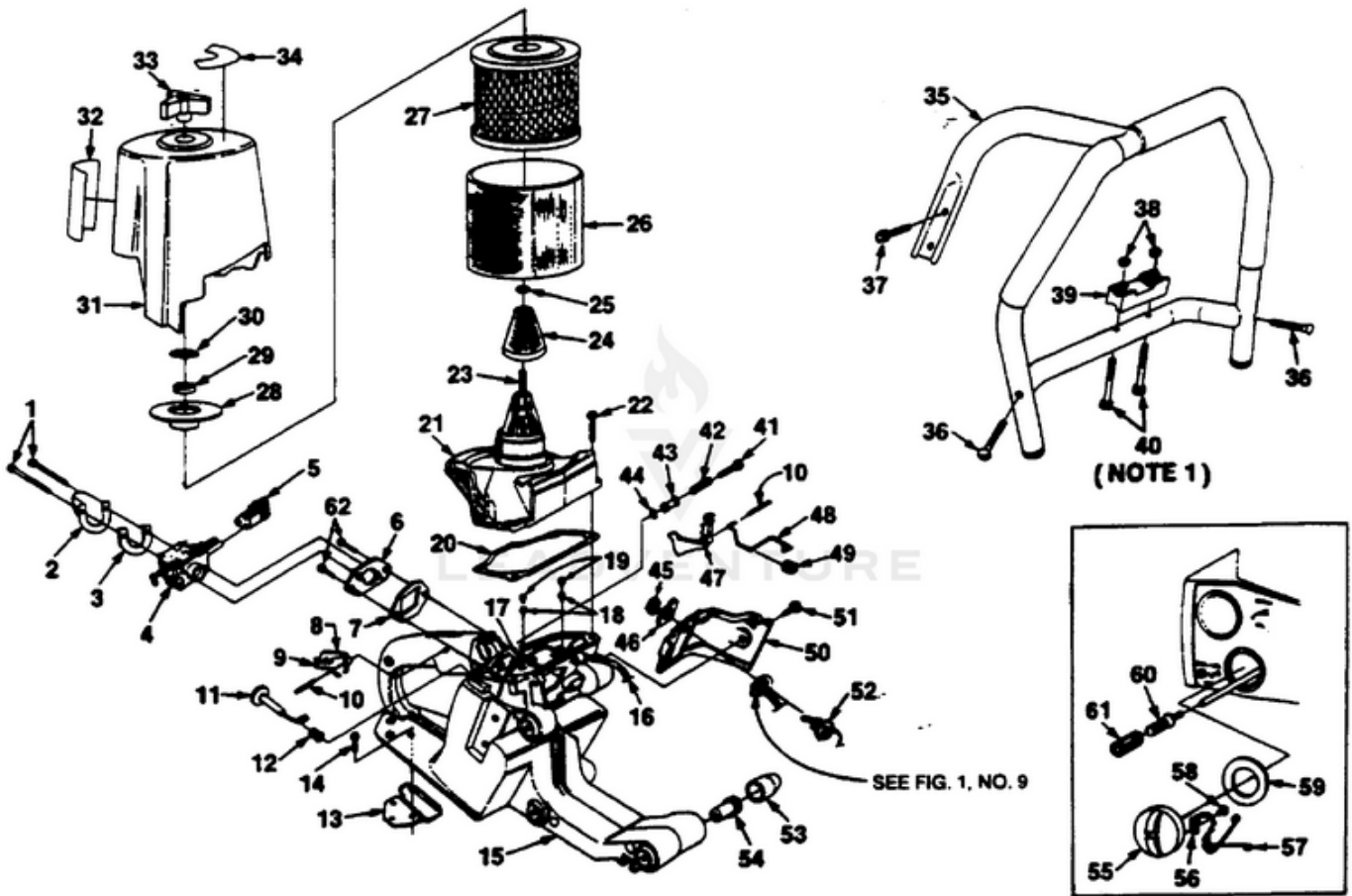


Rendered by LeadVenture, Inc.

<b>Ref #</b>	<b>Part #</b>	<b>Description</b>	<b>Qty</b>
1	82253	SCREW- Pan Hd. (8-32 x 3/8")	3
2	93628	COVER- Clutch	1
3	A93632B	SHOE- Clutch	3
4	93638A	SPRING- Clutch	3
5	93639	SPIDER- Clutch	1
6	93650	WASHER- Thrust	1
7	A49543	PULLEY- Drum & Bearing	1
8	46071	BEARING- Needle	1
9	46070	RACE- Inner	1
10	46135	WASHER- Thrust	1
11	A49771	CRANKCASE ASSEMBLY	1
12	A49537	RETAINER- Bearing	1
13	12306	SEAL	1
14	82293	SCREW- Socket cap (10-24 x 5/8")	1
15	98876	GASKET- Bearing & Retainer	1
16	47948	BOLT- Guide bar	1
17	81208	NUT- Lock hex (10-24)	4
18	12689A	RETAINER- Nut	2
19	69833	FITTING- Tubing	1
20	58308B	SEAL	1
21	A48836A	CRANKSHAFT	1
22	94621	BEARING- Ball	1
23	93519	BEARING- Roller	1
24	75078	KEY- Woodruff	1
25	94621	BEARING- Ball	1
26	31062	PIN- Dowel	3
27	A49772	PISTON & PIN ASSEMBLY	1
28	98023	RING- Retainer	2
29	49549	PISTON RING	1
30	A00785	CYLINDER	1
31	97316	GASKET- Cylinder	1
32	93561S	SPARK PLUG- (CJ6Y)	1
33	A33055	TERMINAL HIGH TENS(P TBO	1
34	93399	SCREW- Cap socket hd. (10-24 x 1 1/8")	4
35	12021	WASHER- Conical	4
36	88057	SCREW- Hex sems (10-24 x 2")	5
37	93548	ROTOR	1
38	653752	SPRING- Starter pawl	2
39	58763	WASHER- Retainer	2
40	587563	PAWL- Starter	2
41	64054B	STUD- Shoulder	2

<b>Ref #</b>	<b>Part #</b>	<b>Description</b>	<b>Qty</b>
42	97271	SCROLL- Air guide	1
43	82251	SCREW- Mach. pan hd. (6-32 x 3/8")	4
44	81255	NUT- Hex locking (3/8-24)	1
45	95479A	WASHER- Flat	1
46	69326	LEAD- High tension	1
47	A98583	LEAD- Ground (See Fig. 1, #9)	1
48	46840	CABLE- Tie	1
49	49527A	MODULE	1
50	88053	SCREW- Hex sems (#10-24 x 1")	2

DM54 Multi Purpose Saw UT-05034 05034-UT DM54 Multi Purpose Saw UT-05034 DM54 Multi Purpose Saw -  
Handle, Air Cleaner & Carburetor



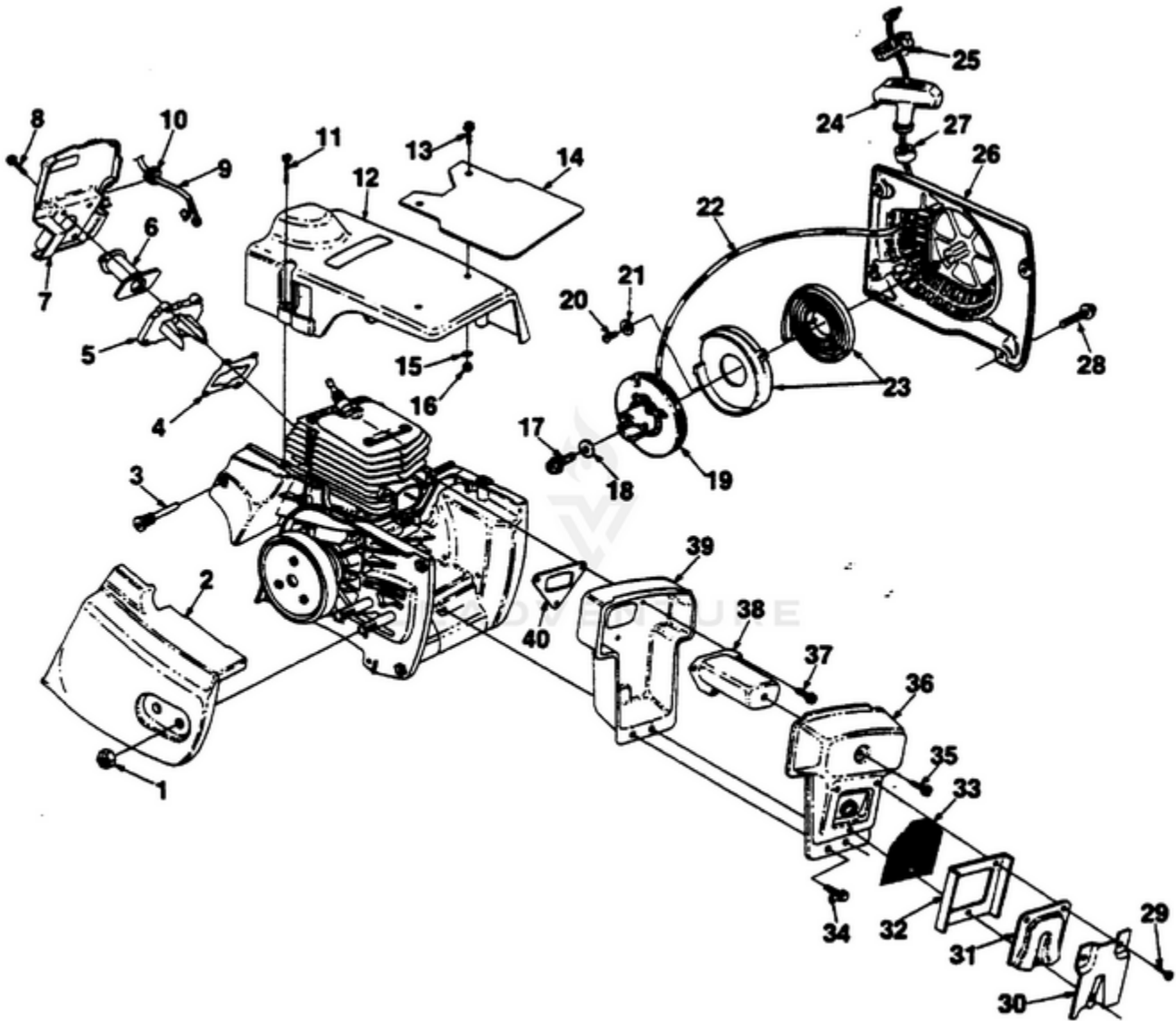
Rendered by LeadVenture, Inc.

Ref #	Part #	Description	Qty
1	82527	SCREW- Socket Hd.	2
2	49673	SHIELD- Carburetor	1
3	49671	GASKET- Carburetor shield	1
4	A97318	CARBURETOR- (Walbro WJ-2)	1
5	97295	GROMMET	1
6	972902	ADAPTOR- Carburetor	1
7	97291	GASKET- Carburetor	1
8	93385	LOCK- Trigger	1
9	97265	SPRING- Flat	1
10	68548	PIN- Trigger	1
11	97292	ROD- Choke	1
12	64862	GROMMET	1
13	A49640	PLATE- Wear	1
14	88041	SCREW- (8-32 x 3/8")	3
15	A49144A	HOUSING- Engine	1
16	9315723	TUBING- Rubber (5 3/4") (Pulse Line)	1
17	9311223	TUBING- Rubber (5 3/4") (Fuel Line)	1
18	96841	VALVE- Check	1
19	93410	FILTER	1
20	97298	GASKET	1
21	49509	COVER- Carburetor chamber	1
22	80582	SCREW- Pan hd. (8-32 x 5/8")	4
23	49511A	BOLT	1
24	49555	PREFILTER	1
25	94150	"O" RING	2
26	49513	FOAM- Air filter	1
27	49512	ELEMENT- Air filter	1
28	46786	COVER- Filter element	1
29	81196	NUT- Hex (5/16-18)	1
30	46072	RING- Retaining	1
31	49515	COVER- Filter	1
32	00427	DECAL- Warning	1
33	46076	KNOB	1
34	49263	DECAL	1
35	A49595	HANDLE BAR	1
36	82378	SCREW- Mach. hd. (10-24 x 1 1/2")	2
37	82399	SCREW- Oval hd.	2
38	96212	NUT- Locking (1/4-28")	2
39	496222	BRACKET- Handle bar	1



<b>Ref #</b>	<b>Part #</b>	<b>Description</b>	<b>Qty</b>
40	82532	SCREW- Mach Oval hd. (1/4-20 x 1/2")	1
41	95671	PIN- Throttle lock	1
42	95020	SPRING- Compression	1
43	95989	BUSHING	1
44	58409	RING- Retaining	1
45	72084A1	NUT- Hex	1
46	12793A	PLATE- Indicating	1
47	93842	TRIGGER- Throttle	1
48	97294	ROD- Throttle	1
49	A49135	GROMMET	1
50	97306	COVER- Switch	1
51	80560	SCREW- Pan washer (8-32 x 1/2")	1
52	A57650A	SWITCH- Toggle	1
53	973051A	ISOLATOR- Vibration	6
54	97262	SLEEVE- Flanged	6
55	A97799	CAP- Fuel	1
56	69502	BEAD- Chain	1
57	96535	KEEPER- Cap	1
58	82256A	SCREW- Thread Forming (#6 x 1/4")	1
59	93422	GASKET- Cap	1
60	A97700	USE UP06516	1
61	592531A	ELEMENT- Filter	1
62	88050	SCREW- Hex sems (10-24 x 3/4")	1

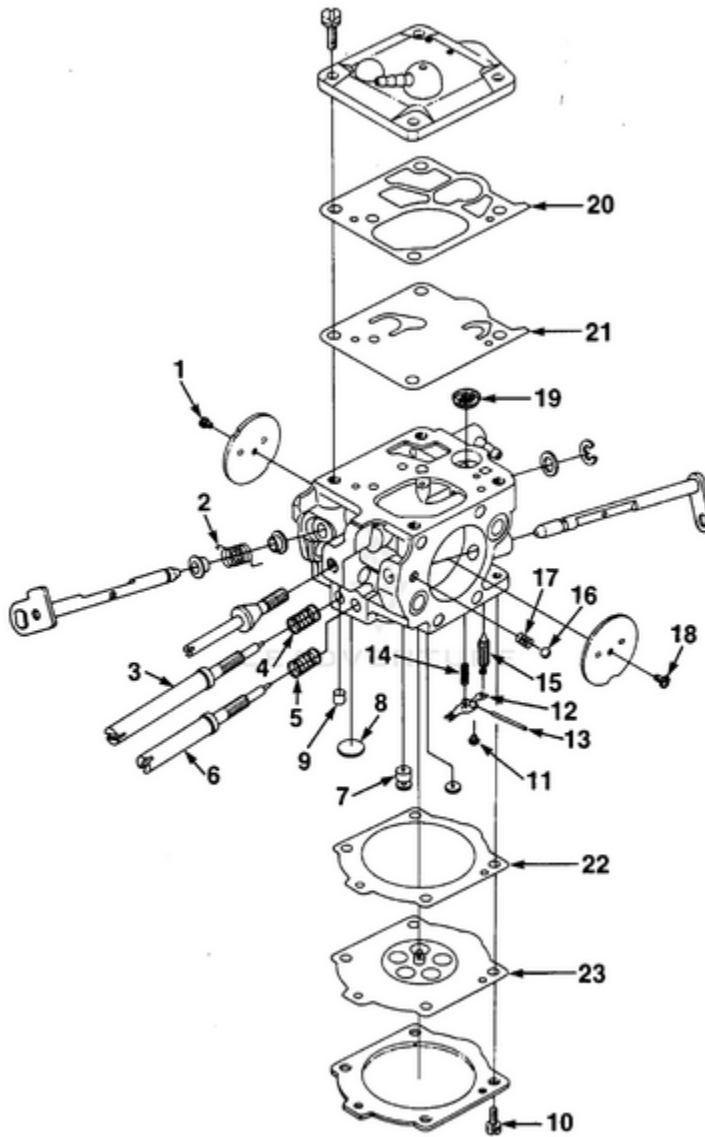
DM54 Multi Purpose Saw UT-05034 05034-UT DM54 Multi Purpose Saw UT-05034 DM54 Multi Purpose  
Saw - Muffler & Starter



Rendered by LeadVenture, Inc.

<b>Ref #</b>	<b>Part #</b>	<b>Description</b>	<b>Qty</b>
1	810892	NUT- (3/8-16 x 5/16")	2
2	478695	COVER- Drivecase	1
3	93367	PIN- Isolator	6
4	97264	GASKET- Intake	1
5	97261A	ADAPTOR- Intake	1
6	97263A	BOOT	1
7	973381A	BAFFLE- Cylinder	1
8	82248	SCREW- Mach. hex. (8-32 x 3/4")	4
9	A98583	LEAD- Ground	1
10	58318	GROMMET	1
11	93397A	SCREW- Cylinder cover	1
12	97256	COVER- Cylinder	1
13	82475	SCREW- (#10 Pan hd.)	2
14	49533	SHIELD- Heat	1
15	84003	WASHER- Flat #10	2
16	81256	NUT- Locking hex (10-24)	2
17	93417	SCREW- Thread forming (#10 x 5/8")	1
18	58763	WASHER- Retaining	1
19	A97990	CUP & PULLEY	1
20	82215	SCREW- Plastite (6 x 3/8")	4
21	84025	WASHER- Flat (#8)	1
22	A00518	ROPE- Starter	1
23	A98067	RETAINER & SPRING	1
24	A69962B	GRIP- Starter	1
25	70018A	INSERT- Rope retaining	1
26	A97988	HOUSING- Starter	1
27	67177	BUSHING	1
28	82298	SCREW- Mach. (10-24 x 5/8")	2
29	80983	SCREW- (8-32 x 1/2")	3
30	A49545	SHIELD- Muffler	1
31	49525	CAP- Muffler	1
32	49548	SUPPORT- Spark arrestor	1
33	98827	SCREEN- Spark arrestor	1
34	88050	SCREW	2
35	80870	SCREW- Mach hd. (10-32 x 3/8")	1
36	A00310	COVER- Muffler	1
37	88065	SCREW- Hex sems (#12)	3
38	A00516	DIFFUSER- Muffler	1
39	A98007	BODY- Muffler	1
40	97682A	GASKET- Muffler	1
	A00793B	ASSEMBLY- Complete Starter	

DM54 Multi Purpose Saw UT-05034 05034-UT DM54 Multi Purpose Saw UT-05034 DM54 Multi Purpose  
Saw - Walbro Carburetor



Rendered by LeadVerture, Inc.

<b>Ref #</b>	<b>Part #</b>	<b>Description</b>	<b>Qty</b>
1	97935	Repair Kit (Includes 1-23)	1
2	97935	Repair Kit (Includes 1-23)	1
3	97935	Repair Kit (Includes 1-23)	1
4	97935	Repair Kit (Includes 1-23)	1
5	97935	Repair Kit (Includes 1-23)	1
6	97935	Repair Kit (Includes 1-23)	1
7	97935	Repair Kit (Includes 1-23)	1
	97943	Nozzle Check Valve	1
8	97935	Repair Kit (Includes 1-23)	1
9	97935	Repair Kit (Includes 1-23)	1
10	97935	Repair Kit (Includes 1-23)	1
11	97935	Repair Kit (Includes 1-23)	1
12	97935	Repair Kit (Includes 1-23)	1
13	97935	Repair Kit (Includes 1-23)	1
14	97935	Repair Kit (Includes 1-23)	1
15	97935	Repair Kit (Includes 1-23)	1
	97942	Needle - Inlet	1
16	97935	Repair Kit (Includes 1-23)	1
17	97935	Repair Kit (Includes 1-23)	1
18	97935	Repair Kit (Includes 1-23)	1
19	97935	Repair Kit (Includes 1-23)	1
20	97935	Repair Kit (Includes 1-23)	1
	97941	Gasket/Diaphragm Kit (Includes 20-23)	1
21	97935	Repair Kit (Includes 1-23)	1
	97941	Gasket/Diaphragm Kit (Includes 20-23)	1
22	97935	Repair Kit (Includes 1-23)	1
	97941	Gasket/Diaphragm Kit (Includes 20-23)	1
23	97935	Repair Kit (Includes 1-23)	1
	97941	Gasket/Diaphragm Kit (Includes 20-23)	1

### ACCESSORIES

**WHEELS- Resinoid**

METAL- (12" x 5/32" x 1")	64597-BS
DUTILE- (12" x 5/32" x 1")	68421-AS
CONCRETE- (12" x 5/32" x 1")	64596-BS
CONCRETE- (11 7/8" x 5/32" x 20 mm)	43233-AS
DUTILE- (11 7/8" x 5/32" x 20 mm)	43234-AS
METAL- (11 7/8" x 5/32" x 20 mm)	43235-AS
DUCTILE- (14" x 5/32" x 1")	49560
METAL- (14" x 5/32" x 1")	49561

**WHEELS- Diamond**

CONCRETE- (12" x 1/8" x 1")	A-49231-A
CONCRETE- (14" x 1/8" x 1")	A-49572

**PULLER- Rotor**

Includes:

STUD- Hex Hd.	17108
SCREW- Hex hd. (1/2-13 x 1 3/4")	80627
RING- Retaining	93972

A-17106-B

### ACCESSORIES

BLADE- Carbide	64595-A
SEALASTIC	24823
PAINT- Red	23475
DOLLY KIT	UT-05032
CARRY CASE- w/insert	A-18009
WET CUTTING KIT	A-49649

### TOOLS

WRENCH- Combination	A-49607
WRENCH- Combination	A-24284-A
WRENCH- Adjusting	A-24085
WRENCH- Spanner	A-17146
BIT- Torx (clutch cover) 1/4" shank	17115-01
BIT- Torx (clutch cover) 5/16" shank	17115-02
SHIM- Air gap (black)	24306
BIT- Torx (isolator pin) 1/4" shank	24982-01
BIT- Torx (isolator pin) 5/16" shank	24982-02

ALWAYS FURNISH MODEL AND SERIAL NUMBER WHEN ORDERING PARTS.

Rendered by LeadVenture, Inc.

<b>Ref #</b>	<b>Part #</b>	<b>Description</b>	<b>Qty</b>
64597BS	64597BS	METAL- (12" X 5/32" X 1")	1
68421AS	68421AS	DUCTILE- (12" x 5" x 1")	1
64596BS	64596BS	CONCRETE- (12" x 5/32" x 1")	1
43233AS	43233AS	CONCRETE- (11 7/8" x 5" x 20 mm)	1
43234AS	43234AS	DUCTILE- (11 7/8" x 5/32" x 20 mm)	1
43235AS	43235AS	METAL- (11 7/8" x " x 20 mm)	1
49560	49560	DUCTILE- (14" x 5/32" x 1")	1
49561	49561	METAL- (14" x 5/32" x 1")	1
A49231A	A49231A	CONCRETE- (12" x 1/8" x 1")	1
A-49572	A-49572	CONCRETE- (1" x 1/8" x 1")	1
A17106B	A17106B	PULLER- Rotor	1
17108	17108	STUD- Hex Hd.	1
80627	80627	SCREW- Hex hd. (1/2-13 x 1 3/4")	1
93972	93972	RING- Retaining	1
64595A	64595A	BLADE- Carbide	1
24823	24823	SEALASTIC	1
23475	23475	PAINT- Red	1
UT-05032	UT05032	DOLLY KIT	1
A-18009	A18009	CARRY CASE- w/insert	1
A-49649	A49649	NLA(NO LONGER AVAILABLE)	1
A-49607	A-49607	WRENCH- Combination	1
A24284A	A24284A	WRENCH- Combination	1
A-24085	A-24085	WRENCH- Adjusting	1
A-17146	A17146	USE UP00032	1
17115-01	1711501	BIT- Torx (clutch cover) 1/4" shank	1
17115-02	1711502	BIT- Torx (clutch cover) 5/16" shank	1
24306	24306	SHIM- Air gap (black)	1
2498201	2498201	BIT- Torx (isolator pin) 1/4" shank	1
2498202	2498202	BIT- Tont (isolator pin) 5/16" shank	1