

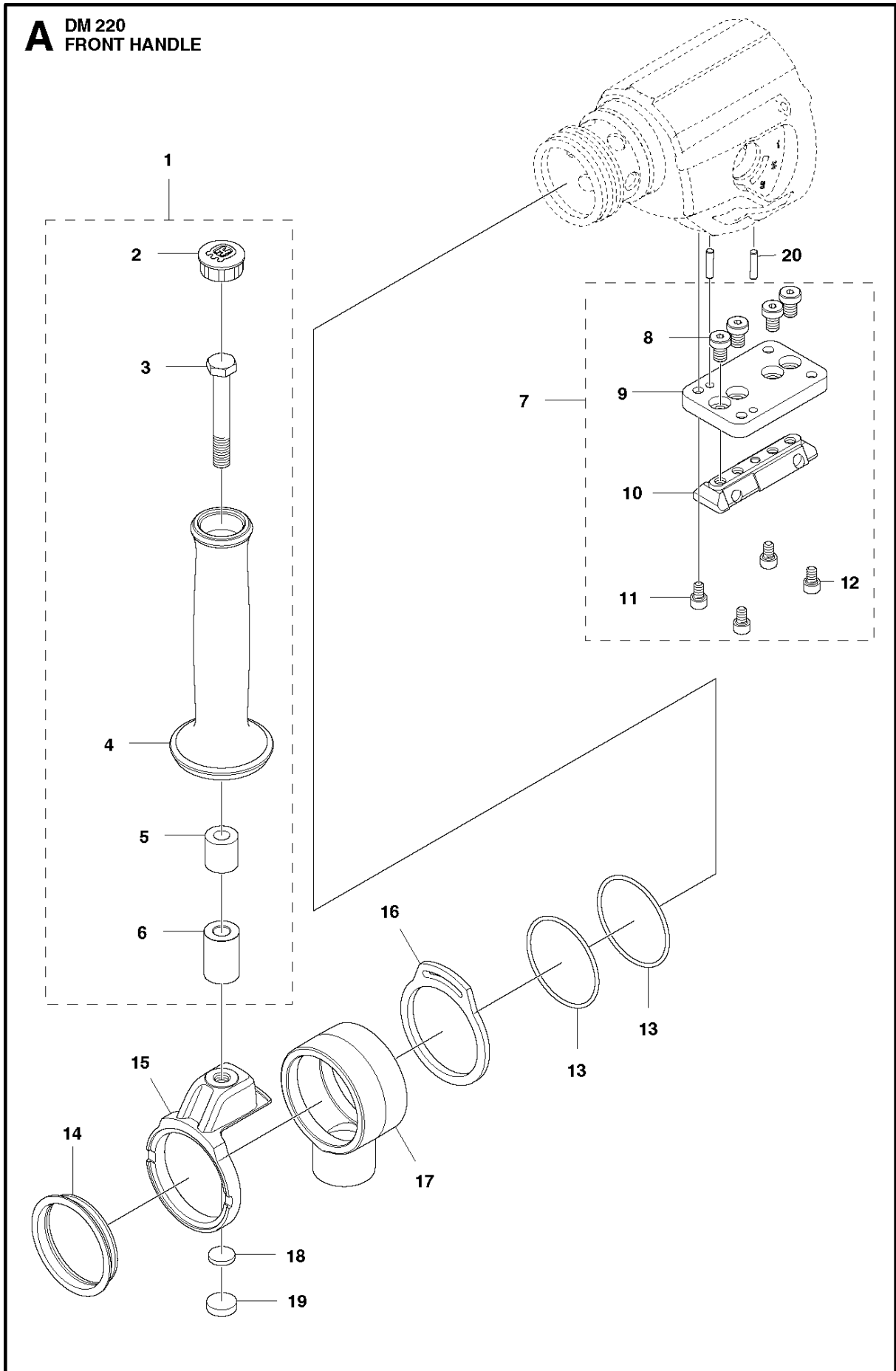


SPARE PARTS LIST

DRILLING EQUIPMENT

DM220, 2015-09

A DM 220
FRONT HANDLE

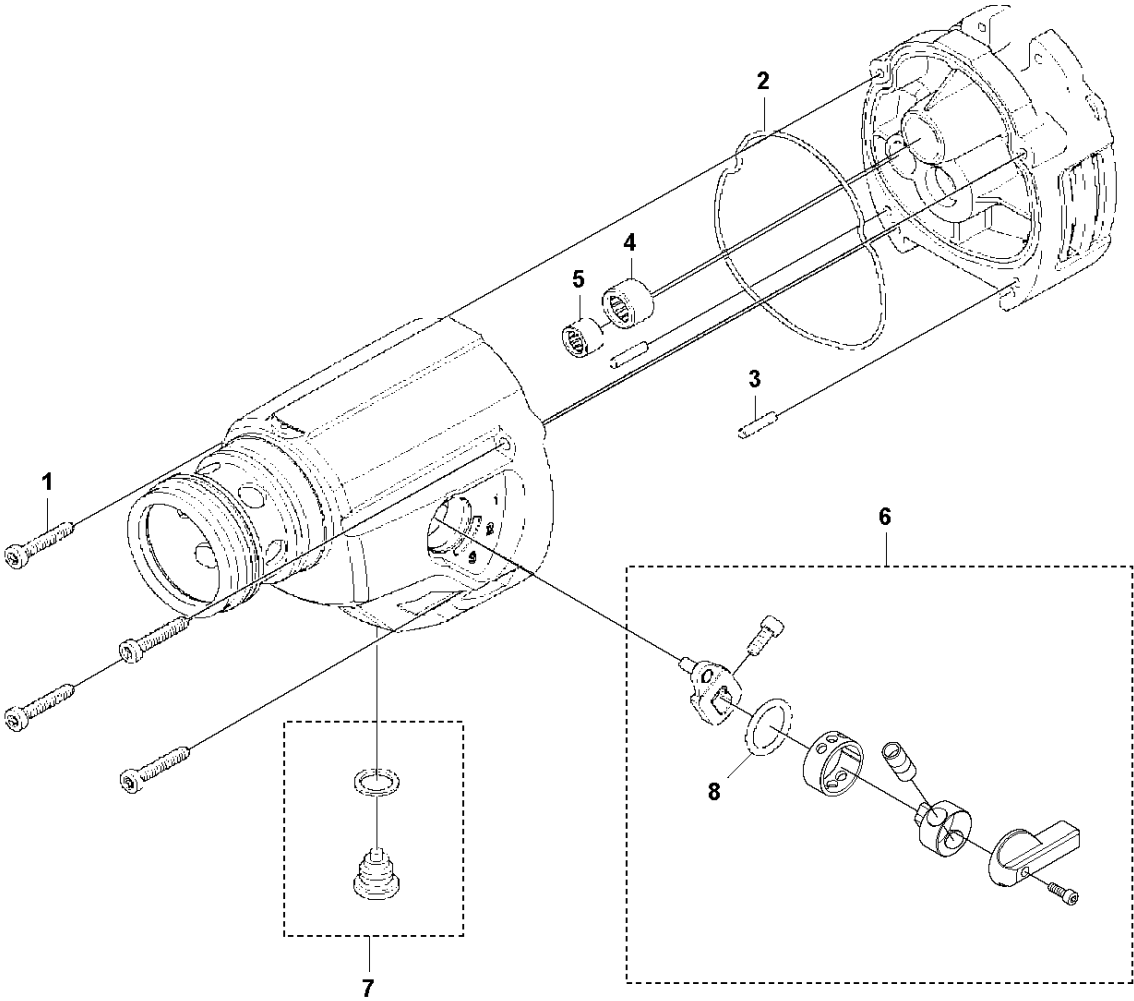


HANDLE

DM220, 2015-09

Ref	Part No	Description	Remark	QTY	KIT
1	525 29 73-01	FRONT HANDLE ASSY		1	
2	574 39 84-01	LID		1	1
3	725 25 05-51	SCREW EHHM		1	1
4	574 16 94-01	HANDLE		1	1
5	574 16 95-01	BUSHING		1	1
6	574 16 97-01	DISTANCE		1	1
7	525 44 38-03	PLATE		1	
8	575 63 63-01	SCREW IHSCM		4	7
9	590 14 26-01	ATTACHMENT PLATE		1	7
10	525 54 07-01	WEDGE		1	7
11	725 53 68-51	SCREW IHSCM		2	7
12	725 53 64-01	SCREW IHSCM		2	7
13	575 80 83-01	O-RING		2	
14	587 82 31-01	RING		1	
15	525 29 69-01	BRACKET		1	
16	525 29 71-01	RING		1	
17	525 29 70-01	HOUSING		1	
18	574 16 98-01	WASHER		1	
19	574 17 00-01	COVER		1	
20	720 13 09-51	PARALLEL PIN		2	

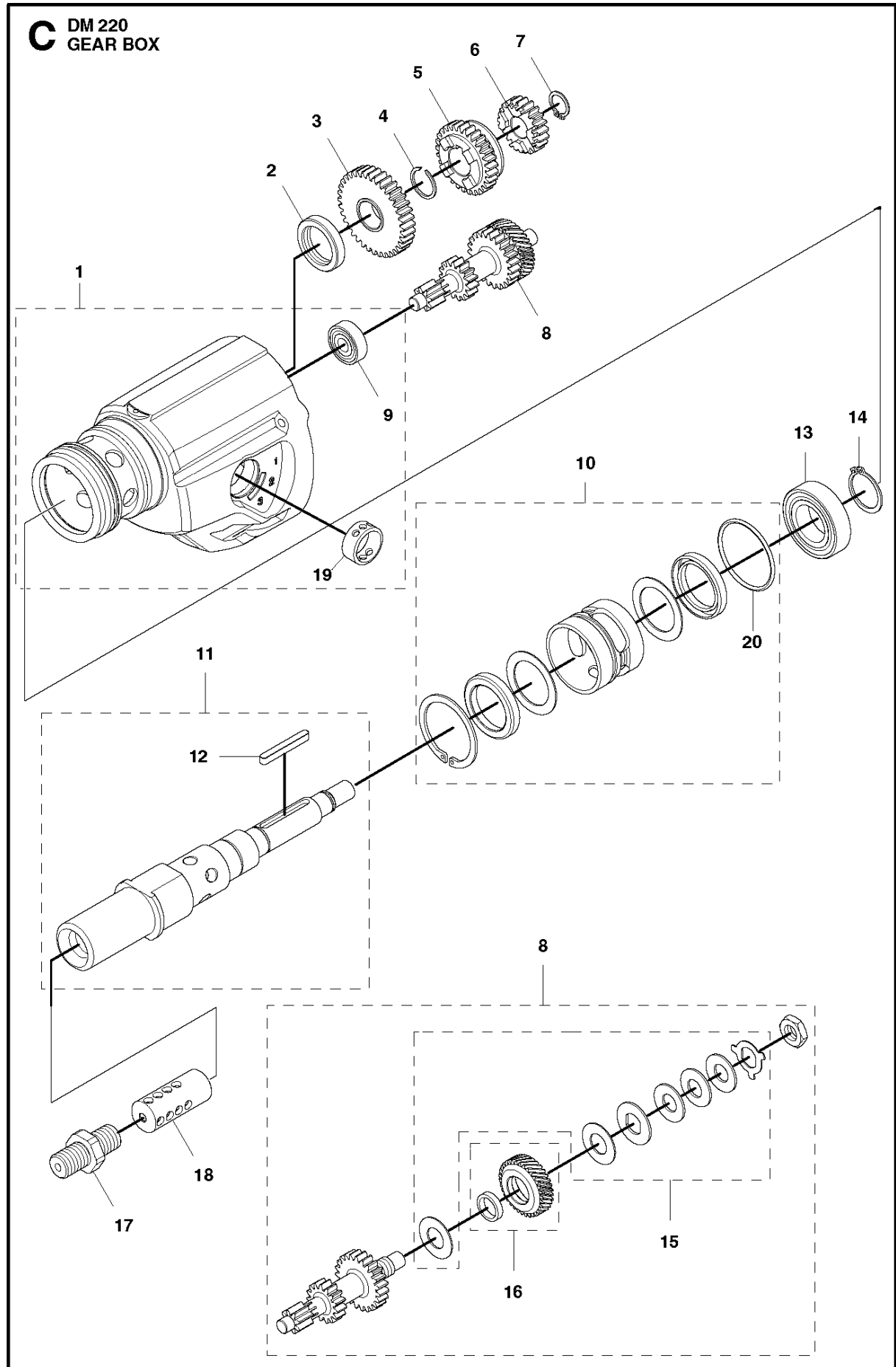
B DM 220
GEAR BOX



GEAR BOX

DM220, 2015-09

Ref	Part No	Description	Remark	QTY	KIT
1	503 21 53-30	SCREW ITXSCM		4	
2	589 99 16-01	SEAL		1	
3	720 13 09-51	PARALLEL PIN		2	
4	503 25 53-01	NEEDLE BEARING		1	
5	503 25 42-01	NEEDLE BEARING		1	
6	525 40 14-02	GEARSHIFT LEVER		1	
7	525 48 10-01	OIL PLUG		1	
8	502 49 65-05	O-RING		1	6

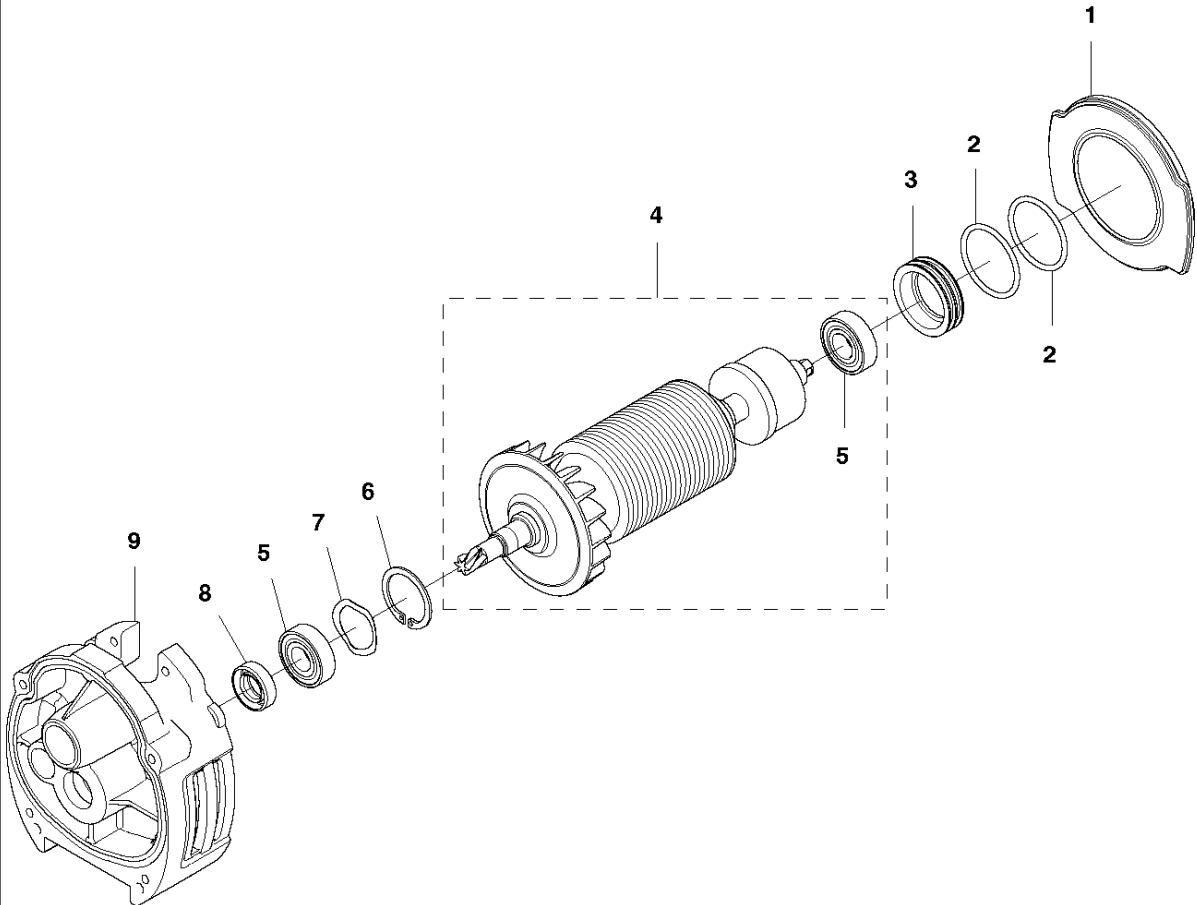


GEAR BOX

DM220, 2015-09

Ref	Part No	Description	Remark	QTY	KIT
1	590 80 60-01	GEAR HOUSING ASSY		1	
1	576 26 97-01	GEAR HOUSING ASSY	Valid before S/N, 20153300021	1	
2	575 55 79-01	RADIAL SEAL		1	
3	544 12 48-01	GEAR WHEEL		1	
4	735 31 20-40	RETAINER RING		1	
5	544 12 46-01	GEAR WHEEL		1	
6	544 12 44-01	GEAR WHEEL		1	
7	735 31 16-00	CIRCLIP		1	
8	587 36 69-01	COUPLING		1	
9	738 22 99-27	BALL BEARING		1	1
10	577 24 42-03	COLLECTOR		1	
10	577 24 42-01	COLLECTOR	Valid before S/N 20153300021	1	
11	577 24 38-03	SHAFT	1/2"	1	
11	577 24 38-02	SHAFT	5/8 USA	1	
12	544 38 16-02	KEY		1	
12	544 38 16-01	KEY	Valid before S/N 20153300021	1	11
13	738 21 05-14	BALL BEARING		1	
14	735 31 26-00	CIRCLIP		1	
15	587 36 25-03	CLUTCH ASSY		1	8
16	504 57 11-03	GEAR WHEEL ASSY		1	8
17	504 09 46-01	ADAPTER	US Only	1	
18	581 09 41-01	STRAINER	1/2"	1	
18	581 09 41-02	STRAINER	5/8" USA	1	
19	544 13 00-01	INSERT		1	1
20	587 69 89-01	O-RING	Only included in 577 24 42- 02	1	10

D DM 220
MOTOR



MOTOR

DM220, 2015-09

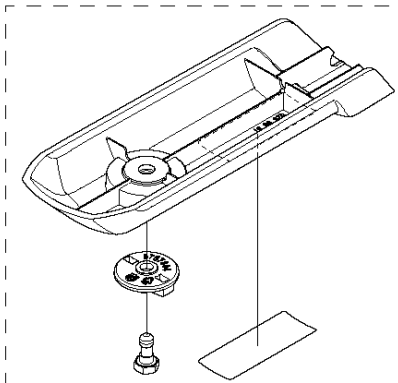
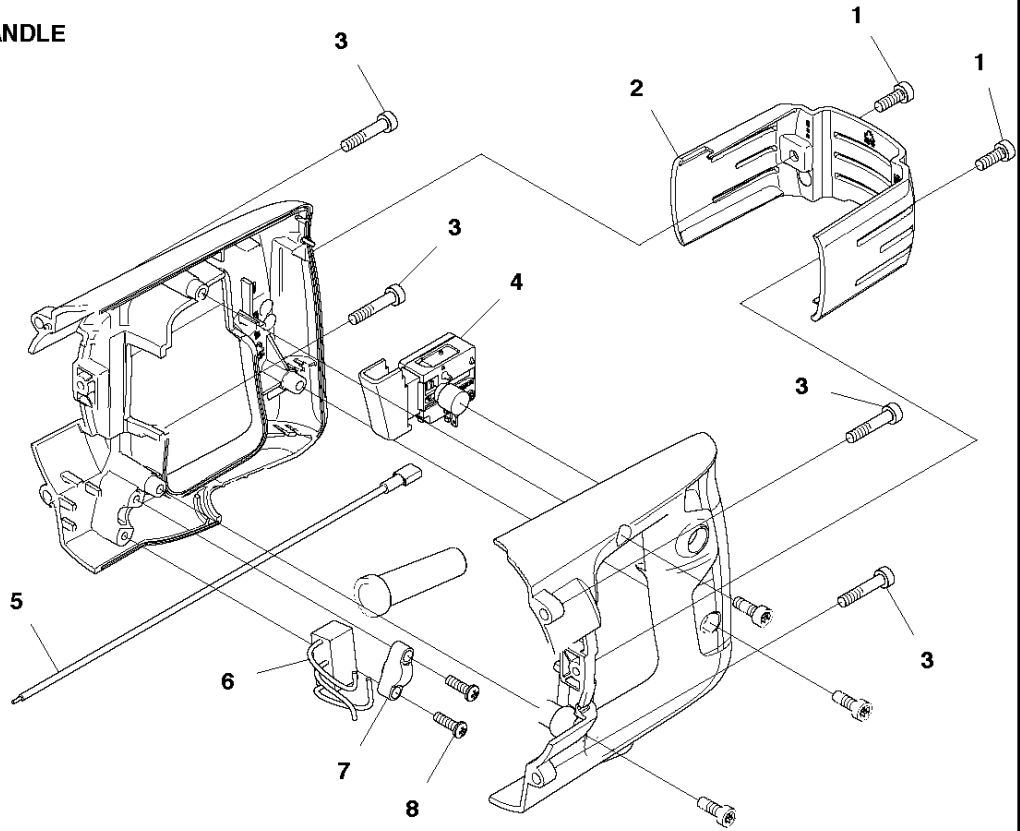
Ref	Part No	Description	Remark	QTY	KIT
1	586 91 91-01	AIR CONDUCTOR		1	
1	544 12 29-01	AIR CONDUCTOR	Valid before S/N 20153300021	1	
2	503 26 30-03	O-RING		2	
3	544 12 30-01	BEARING SUPPORT		1	
4	505 57 66-03	ROTOR	230V, from S/N 20180600001	1	
4	505 57 65-03	ROTOR	120V, from S/N 20182100067	1	
5	503 25 24-01	BALL BEARING		2	4
6	735 31 28-10	CIRCLIP		1	
7	501 00 84-01	SPRING WASHER		1	
8	582 59 04-01	RADIAL SEAL		1	
9	589 99 61-01	COVER		1	
9	588 61 32-01	COVER	Valid before S/N 20153300021 and includes 586 91 91-01	1	

MOTOR

DM220, 2015-09

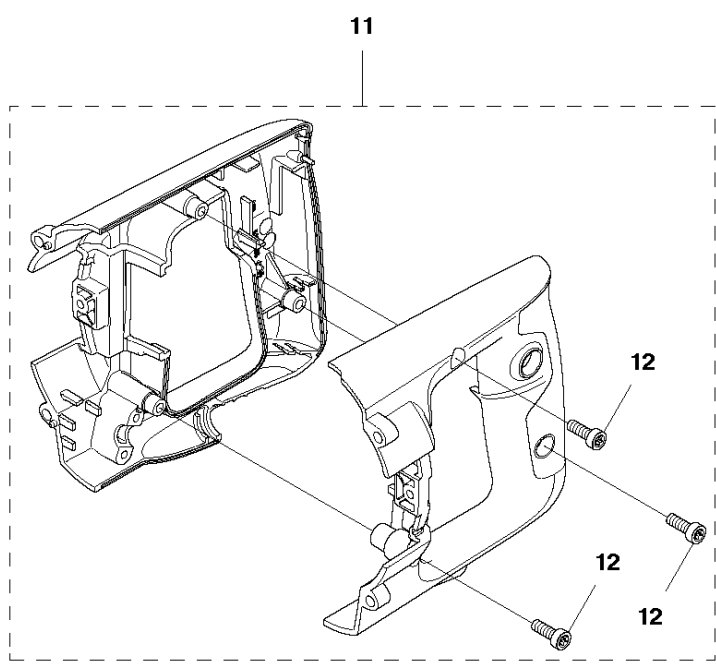
Ref	Part No	Description	Remark	QTY	KIT
1	587 67 40-01	ELECTRONIC BOX	120V	1	
1	501 13 01-02	CIRCUIT BOARD ASSY	230V	1	
2	525 53 87-01	DIODE		1	1
3	525 83 44-01	LID		1	1
4	575 78 95-01	PIPE		1	1
5	581 77 49-01	CIRCUIT BOARD ASSY	120V	1	1
5	581 77 49-02	CIRCUIT BOARD ASSY	230V	1	1
6	729 52 51-75	SCREW CRPANT		1	1
7	724 12 91-01	SCREW CRPANM		4	
8	735 11 36-50	SPRING WASHER		4	
9	504 54 50-01	FILTER	230V	1	
9	504 54 50-02	FILTER	120V	1	
10	576 28 75-01	TERMINAL BLOCK		1	
11	582 87 39-03	BRUSH HOLDER		1	
12	506 22 58-05	CARBON BRUSH		2	11
14	725 53 29-55	SCREW IHSCM		2	
15	725 53 47-55	SCREW IHSCM		4	
16	577 09 51-01	SPACER		2	
17	576 96 74-01	PLATE		1	
18	576 24 25-01	CABLE		1	
19	525 29 52-02	MOTOR HOUSING		1	
20	575 34 79-04	LABEL	US	1	
20	575 34 79-03	LABEL		1	
21	575 34 74-02	LABEL		1	
22	575 34 77-02	LABEL		1	
23	575 34 73-01	LABEL		1	
24	589 32 50-04	STATOR ASSY	120V, from S/N 20182100067	1	
24	589 32 50-03	STATOR ASSY	230V, from S/N 20180600001	1	
25	503 23 04-02	WASHER		2	

F DM 220
REAR HANDLE



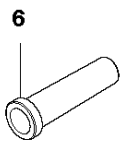
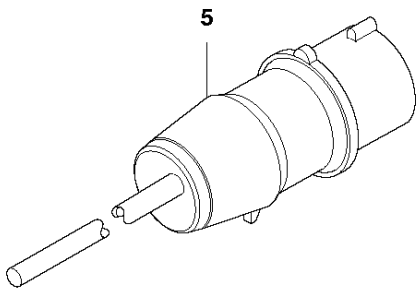
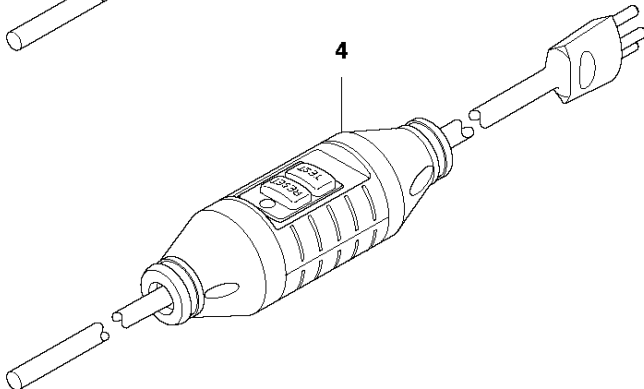
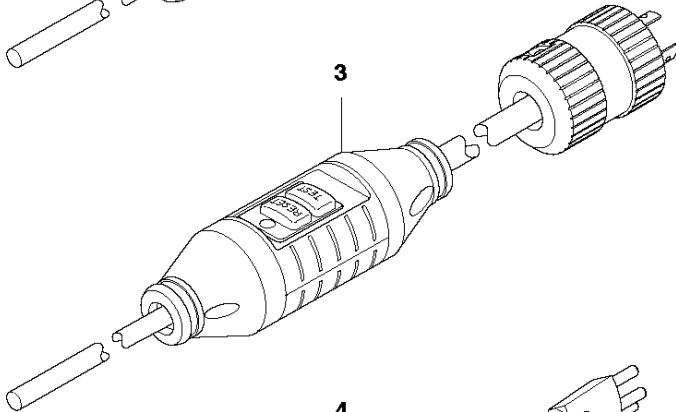
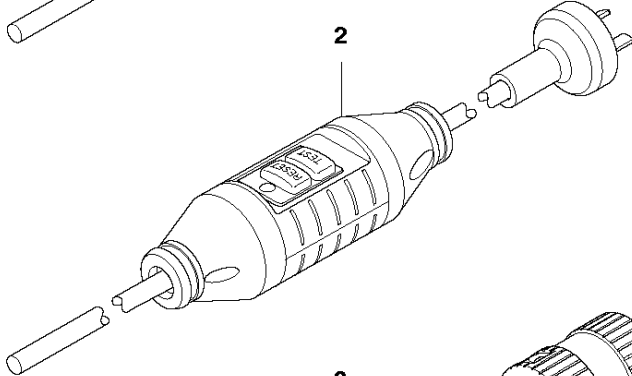
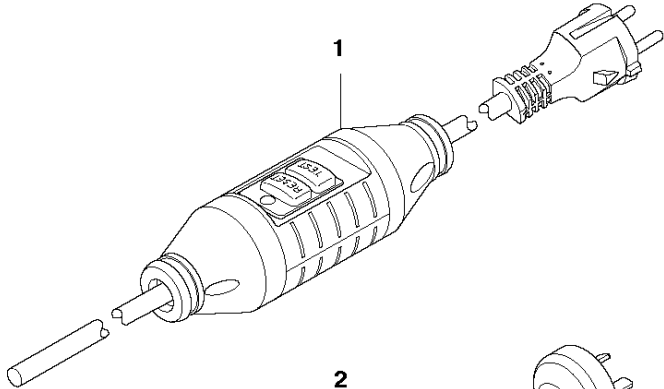
10

	2	Ømm	Øinch
	3	Ø2.0	5/16
	1	Ø3.0	5/8
	2	Ø2.0	5/16
	3	Ø2.0	5/16



Ref	Part No	Description	Remark	QTY	KIT
1	504 90 94-10	SCREW ITXSCT		2	
2	525 44 40-01	COVER LID		1	
3	504 90 94-25	SCREW ITXSCT		4	
4	525 54 21-01	TRIGGER		1	
5	576 84 54-01	CABLE		1	
6	504 54 63-01	CAPACITOR		1	
7	544 12 32-01	CABLE CLAMP		1	
8	525 47 63-01	SCREW ITXPANT		2	
9	525 44 30-01	COVER		1	
10	575 34 73-01	LABEL		1	9
11	577 24 46-01	HANDLE KIT		1	
12	504 90 94-25	SCREW ITXSCT		2	11

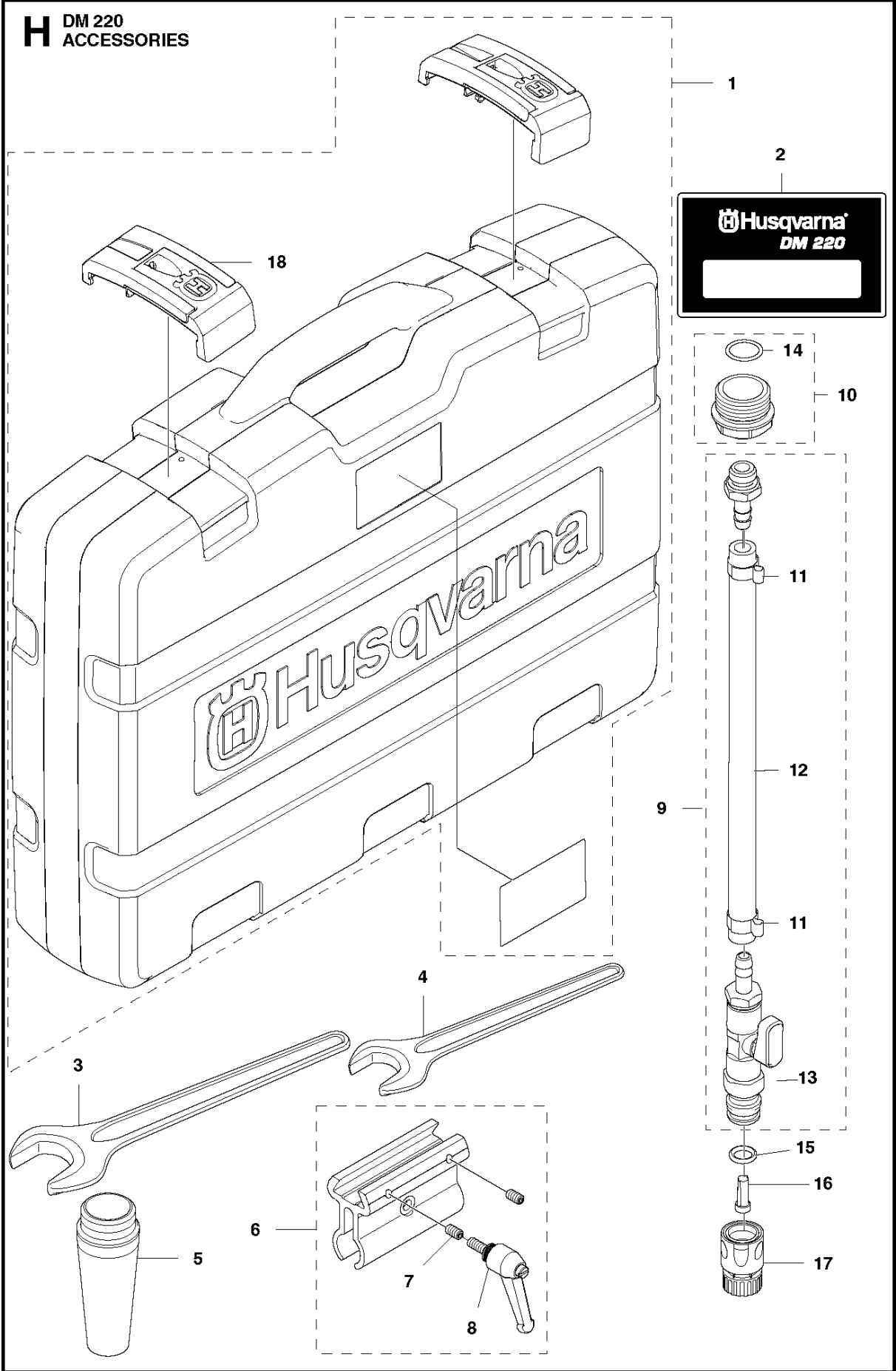
G DM 220
CABLES



ELECTRICAL

DM220, 2015-09

Ref	Part No	Description	Remark	QTY KIT
1	505 44 33-05	CABLE	EU	1
2	510 18 13-06	CABLE	JP, US	1
3	521 90 72-04	CABLE	AU	1
4	521 90 74-05	CABLE	CH	1
5	521 91 90-04	CABLE	UK	1
6	575 81 10-01	CABLE SLEEVE		1



ACCESSORIES

DM220, 2015-09

Ref	Part No	Description	Remark	QTY	KIT
1	502 29 45-02	CARRYING CASE		1	
2	576 27 66-02	LABEL		1	
3	531 14 09-52	KEY	32MM	1	
4	531 14 09-51	KEY	24MM	1	
5	575 87 22-01	VACUUM SYSTEM		1	
6	575 78 85-01	HOLDER ASSY		1	
7	542 13 97-68	SCREW		2	6
8	576 02 49-01	HANDLE		1	6
9	501 07 22-01	HOSE ASSY		1	
10	501 55 80-01	NUT		1	
11	576 12 97-01	HOSE CLAMP		2	9
12	581 89 36-01	HOSE		1	9
13	587 43 78-02	VALVE ASSY		1	9
14	502 49 65-04	O-RING		1	10
15	505 10 35-01	O-RING		1	
16	506 29 88-01	FILTER		1	
17	503 26 60-03	COUPLER	US	1	
17	503 26 60-04	COUPLER		1	
18	586 46 65-01	KIT		2	1