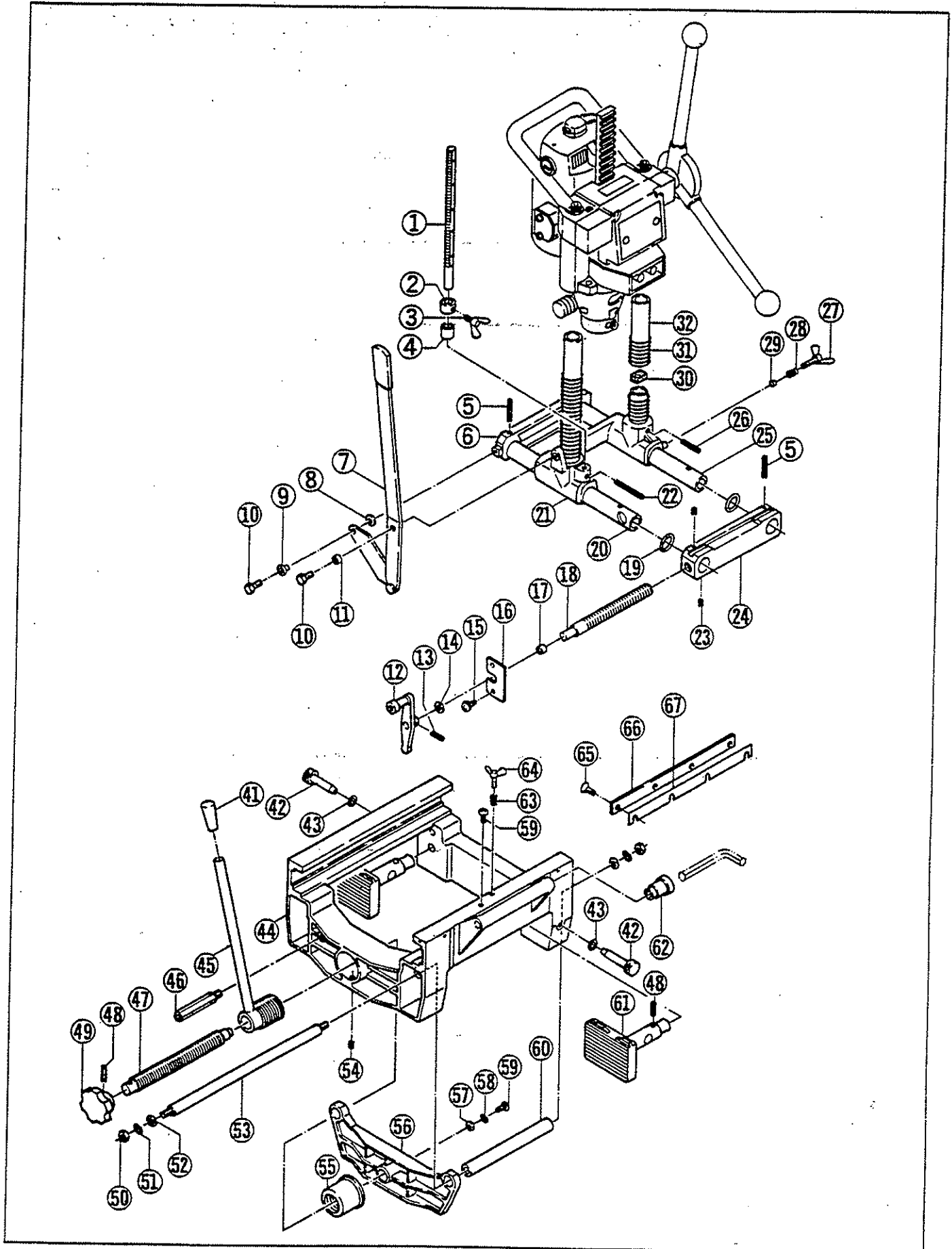


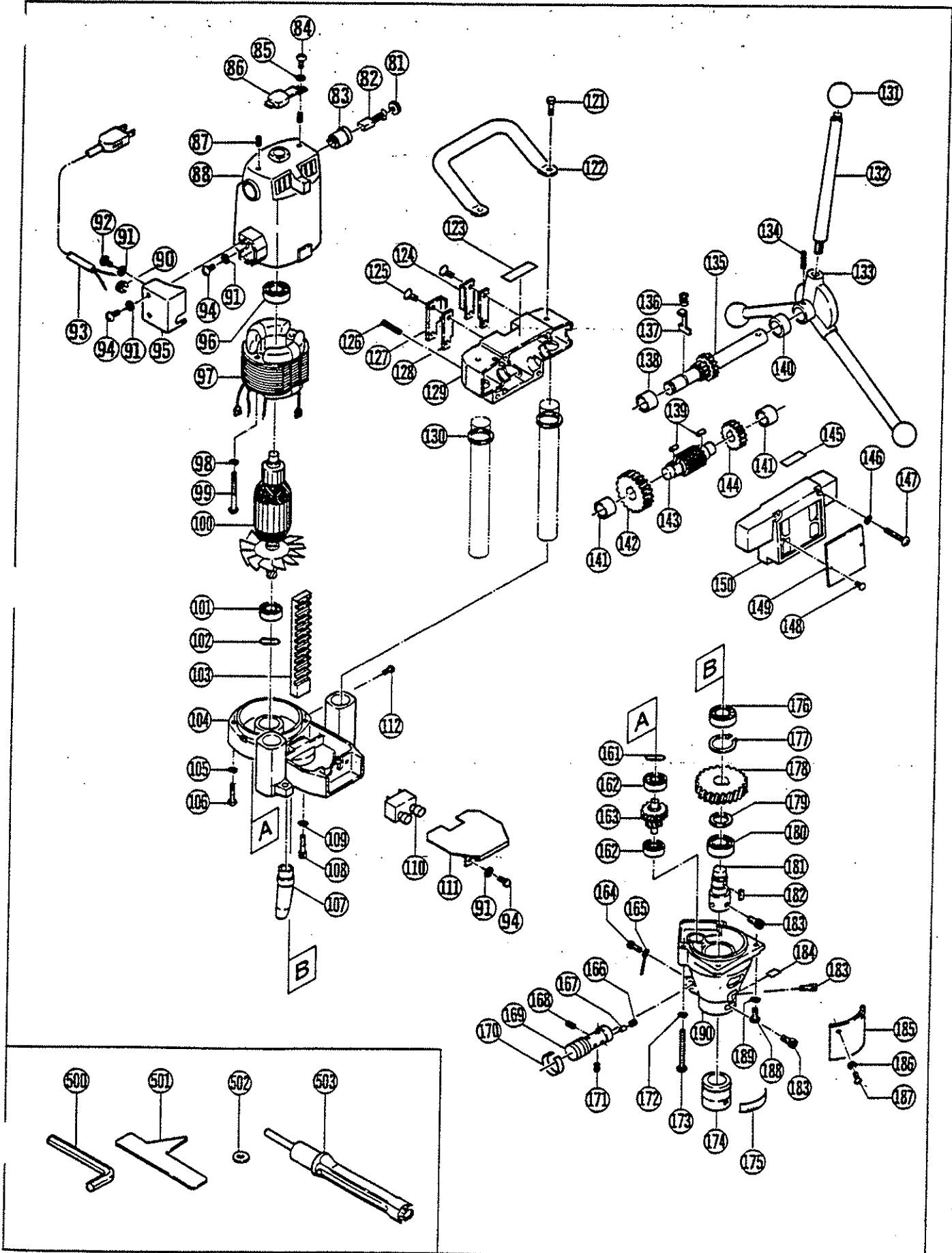
# CHISEL MORTISER

DM-25A



# CHISEL MORTISER

## DM-25A



**PARTS LIST FOR AFTER SALES SERVICE  
MODEL DM25A**

REF	PART NO.	DESCRIPTION	QTY	REF	PART NO.	DESCRIPTION	QTY
	6950260	GAUGE	1	58	9550600	SPRING WASHER M6	
2	6220241	STOPPER	1	59	9000612	PHILLIPS PAN SCREW M6X12	2
3	9240614	WING BOLT M6X14	1	60	6860293	ROLLER	2
4	6900656	COLLAR	1	61	6320235	CLAMP PLATE	2
5	9405035	SPRING PIN	3	62	6370331	WRENCH HOLDER	1
6	6850543	REAR BASE	1	63	6180004	COMPRESSION SPRING	1
7	6831565	HANDLE	1	64	9240625	WING BOLT M6X25	1
8	6900339	THRUST WASHER	1	65	9150412	FLAT TAPPING SCREW(S)M4X12	4
9	6900653	COLLAR	1	66	6153001	BRACKET	1
10	9220816	HEX SOCKET HEAD BOLT M8X16	2	67	6152993	SPACER 0.05	1
11	6900861	COLLAR	1	--	6152994	SPACER 0.1	1
12	6831455	HANDLE	1	--	6152992	SPACER 0.2	1
13	9404018	SPRING PIN	1	81	6570107	BRUSH CAP	2
14	6900202	THRUST WASHER	1	82	6540063	CARBON BRUSH SET	1
15	9040512	TAPPING SCREW (S) M5X12	2	83	6570097	BRUSH HOLDER	2
16	6153040	BRACKET	1	84	9020512	PHILLIPS PAN SCREW M5X12	1
17	6900528	COLLAR	1	85	9570500	WASHER	1
18	6130814	SCREW	1	86	6360249	CAP	1
19	9760026	O-RING P-26	2	87	9280510	CLAMP SCREW M5X10	2
20	6100608	GUIDE BAR	1	88	6801924	MOTOR HOUSING	1
21	6850547	BED	1	90	6560126	CORD BUSH	1
22	9406055	SPRING PIN	1	91	9600400	TOOTHED LOCK WASHER M4	8
	9405010	SPRING PIN	2	92	9040410	TAPPING SCREW (S) M4X10	2
	6850540	FRONT BASE	1	93	6520233	CORD ASS'Y AWG#16X3X2	1
25	6100609	GUIDE BAR	1	94	9040410	TAPPING SCREW (S) M4X10	6
26	9406035	SPRING PIN	1	95	6154684	TERMINAL COVER	1
27	9240625	WING BOLT M6X25	1	96	9840629	BALL BEARING #629LLB	1
28	6180004	COMPRESSION SPRING	1	97	6501517	FIELD COIL	1
29	6310011	LOCK PLATE	1	98	9550500	SPRING WASHER M5	2
30	6370281	RUBBER	2	99	9000560	PHILLIPS PANSCREW M5X60	2
31	6180383	COMPRESSION SPRING	2	100	6032003	ARMATURE	1
32	6960158	GUIDE BAR	2	101	9826201	BALL BEARING #6201LLB	1
41	6831510	GRIP	1	102	9643200	WAVE WASHER	1
42	6100605	STOPPER	2	103	6200435	RACK GEAR	1
43	9760008	O-RING P8	2	104	6081061	GEAR CASE	1
44	6850634	BED	1	105	9600600	TOOTHED LOCK WASHER M6	2
45	6130815	SCREW	1	106	9000625	PHILLIPS PAN SCREW M6X25	2
46	6100604	STOPPER BAR	1	107	6220240	DUST PIPE	1
47	6130813	SCREW	1	108	9220625	HEX SOCKET HEAD BOLT M6X25	2
48	9404025	SPRING PIN	3	109	9550600	SPRING WASHER M6	2
49	6831605	GRIP 58	1	110	6550337	PUSH BUTTON SWITCH	1
50	9300800	HEX NUT M8	4	111	6153037	SWITCH GUARD	1
51	9550800	SPRING WASHER M8	4	112	9040425	TAPPING SCREW (S) M4X25	1
52	9570800	WASHER	4	121	9220816	HEX SOCKET HEAD BOLT M8X16	2
53	6100610	ROLLER SHAFT	2	122	6831552	LEVER	1
	9280610	CLAMP SCREW M6X10	2	123	6920872	INFORMATION LABEL	1
54	6130808	BOLT	1	124	6154483	CLAMP PLATE	1
56	6320234	CLAMP PLATE	1	125	9140510	PHILLIPS FLAT SCREW M5X10	4
57	9570600	WASHER	1	126	9406035	SPRING PIN	2

## PARTS LIST FOR AFTER SALES SERVICE MODEL DM25A

127	6154482	CLAMP PLATE	1	168	9280412	CLAMP SCREW M4X12	2
128	6153025	THRUST PLATE 0.1	2	169	6100611	SET HOLDER	1
--	6153026	THRUST PLATE 0.2	2	170	6920870	INDICATION LABEL	1
--	6153027	THRUST PLATE 0.5	2	171	9280414	CLAMP SCREW M4X14	2
129	6820926	GEAR CASE	1	172	9550600	SPRING WASHER M6	2
130	6370282	CUSHION RUBBER	2	173	9000665	PHILLIPS PAN SCREW M6X65	2
131	6831328	GRIP	3	174	6153034	SLEEVE	1
132	6831567	LEVER	2	175	6950202	GAUGE	1
133	6831558	LEVER HEAD	1	176	971803001	BALL BEARING #6203LLB	1
134	9408032	SPRING PIN	1	177	9512000	RETAINING RING S-20	1
135	6200552	HANDLE GEAR	1	178	6200433	FINAL GEAR	1
136	6180379	COMPRESSION SPRING	1	179	6900654	SPACER	1
137	6153046	STOPPER	1	180	9846004	BALL BEARING #6004LLB	1
138	9912012	NEEDLE BEARING	1	181	6100606	SPINDLE	1
139	6100224	PARALLEL KEY	2	182	6100226	PARALLEL KEY	1
140	9912012	NEEDLE BEARING	1	183	9220814	HEX SOCKET HEAD BOLT M8X14	3
141	9911712	NEEDLE BEARING	2	184	6950203	INDICATION LABEL	1
142	6200554	GEAR	1	185	6820992	SPINDLE COVER	1
143	6200553	PINION GEAR	1	186	9570500	WASHER	2
144	6200428	GEAR	1	187	9000514	PHILLIPS PAN SCREW M5X14	2
145	6921435	CAUTION LABEL	1	188	9000616	PHILLIPS PAN SCREW M6X16	2
146	9550600	SPRING WASHER M6	4	189	9550600	SPRING WASHER M6	2
147	9000635	PHILLIPS PAN SCREW M6X35	4	190	6881022	SPINDLE CASE	1
148	6120005	RIVET #2	2	--	6560008	TERMINAL	1
149	6913431	NAME PLATE	1	--	6560020	TERMINAL	4
150	6881017	GEAR CASE COVER	1	--	6590113	VINYL TUBE	1
161	9642200	WAVE WASHER	1				
162	622274001	BALL BEARING #608LLB	2	STANDARD ACCESSORIES			
163	6200430	INTERMEDIATE GEAR	1	500	6241263	HEX WRENCH KEY 2	1
164	9040410	TAPPING SCREW (S) M4X10	1	--	6241113	HEX WRENCH KEY 6	1
165	6180380	COMPRESSION SPRING	1	502	6900642	WASHER	1
166	9280506	TAPPING SCREW M5X6	1				
167	6390212	KNOCK	1				

### SERVICE NOTES:

