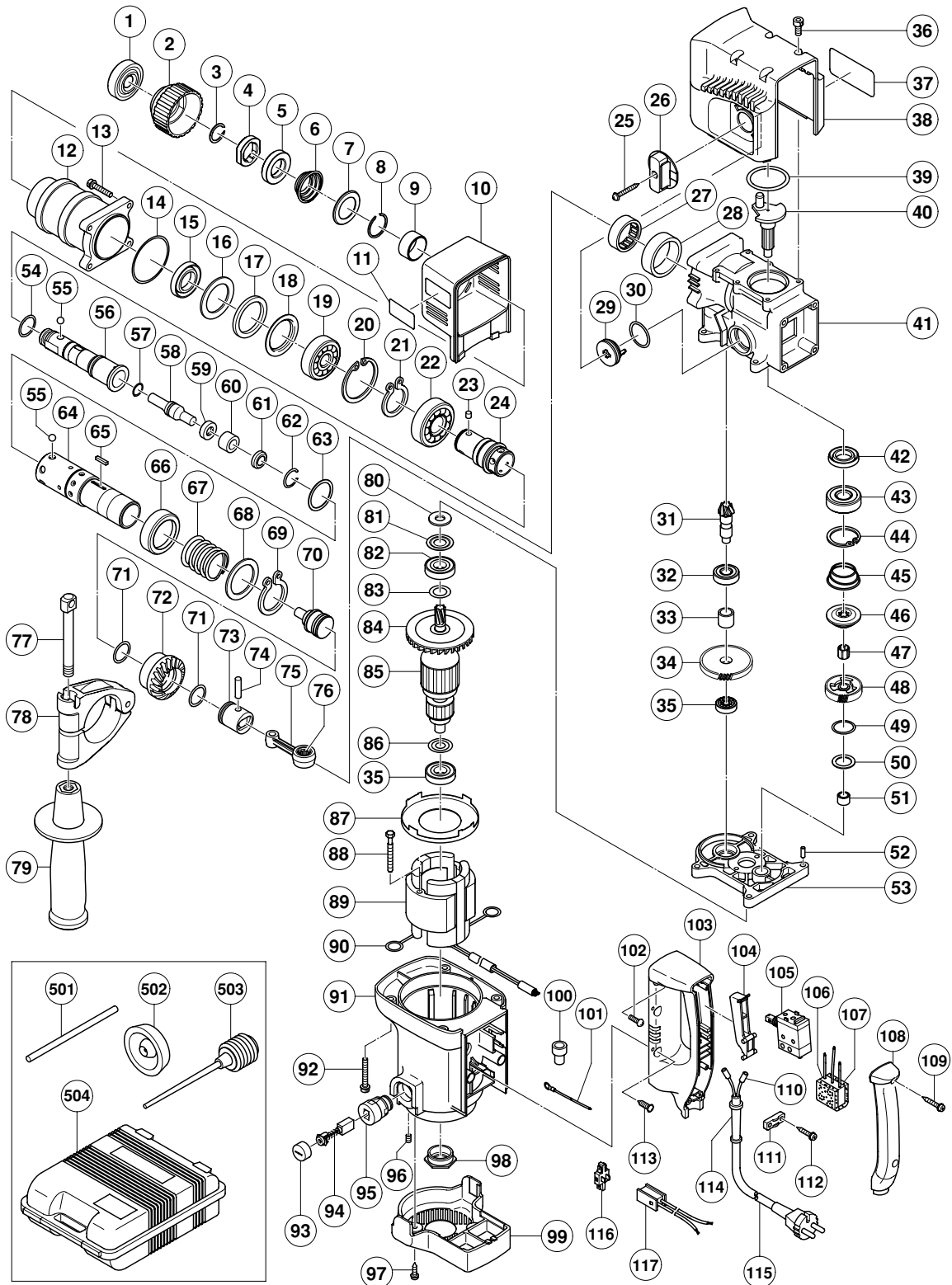


ELECTRIC TOOL PARTS LIST

■ ROTARY HAMMER Model DH 30PB

2002 · 5 · 30
(E1)



PARTS

DH 30PB

ITEM NO.	CODE NO.	DESCRIPTION	NO. USED	REMARKS
1	318-028	FRONT CAP	1	
2	320-352	GRIP	1	
3	306-340	STOPPER RING	1	
4	320-349	HOLDER SLEEVE	1	
5	320-353	BALL HOLDER	1	
6	320-351	HOLDER SPRING	1	
7	320-354	SPRING HOLDER (B)	1	
8	676-432	RETAINING RING	1	
9	320-350	SLEEVE	1	
10	320-355	CYLINDER CASE COVER	1	
11		HITACHI LABEL	1	
12	320-323	CYLINDER CASE	1	
13	992-253	HEX. SOCKET HD. BOLT (W/FLANGE) M5X25	4	
14	990-067	O-RING (1AS-50)	1	
15	320-324	OIL SEAL	1	
16	320-344	WASHER (B)	1	
17	320-325	DAMPER (B)	1	
18	320-326	DAMPER WASHER (B)	1	
19	600-5T2	BALL BEARING 6005T2X3CN	1	
20	948-227	RETAINING RING FOR D47 HOLE	1	
21	948-310	RETAINING RING FOR D30 SHAFT	1	
22	690-6T2	BALL BEARING 6906T2CN	1	
23	320-343	NEEDLE	3	
24	320-330	RETAINER SLEEVE (B)	1	
25	307-028	TAPPING SCREW (W/FLANGE) D4X25 (BLACK)	1	
26	320-360	CHANGE LEVER	1	
27	320-307	NEEDLE BEARING	1	
28	320-972	BEARING BUSHING	1	
29	320-305	SHIFT LEVER	1	
30	320-359	O-RING (B)	1	
31	320-301	THIRD PINION	1	
32	690-1DD	BALL BEARING 6901DDC3PS2-L (EC)	1	
33	320-303	SLEEVE (C)	1	
34	320-302	SECOND GEAR	1	
35	608-VVM	BALL BEARING 608VVC2PS2L	2	
36	878-356	SEAL LOCK HEX. SOCKET HD. BOLT M4X10	4	
37		NAME PLATE	1	
38	320-304	CRANK CASE COVER	1	
39	314-030	O-RING	1	
40	320-318	CRANK SHAFT	1	
41	320-368	CRANK CASE ASS'Y	1	INCLUD.27,28
42	981-851	OIL SEAL (B)	1	
43	600-2VV	BALL BEARING 6002VVCMP2L	1	
44	948-001	RETAINING RING FOR D32 HOLE	1	
45	320-320	CLUTCH SPRING (A)	1	
46	320-321	CLUTCH (A)	1	
47	320-932	NEEDLE CAGE	1	
48	320-322	FIRST GEAR	1	
49	320-317	THRUST BALL BEARING	1	
50	320-319	WASHER (A)	1	
51	670-714	NEEDLE BEARING (HK0810)	1	

*

PARTS

DH 30PB

ITEM NO.	CODE NO.	DESCRIPTION	NO. USED	REMARKS	
52	949-756	PIN D4X12 (10 PCS.)	1		
53	320-365	GEAR COVER	1		
54	320-340	O-RING	1		
55	959-156	STEEL BALL D7.0 (10 PCS.)	8		
56	320-329	RETAINER SLEEVE (A)	1		
57	311-819	O-RING (B)	1		
58	320-331	SECOND HAMMER	1		
59	320-332	HAMMER HOLDER	1		
60	320-333	DAMPER	1		
61	320-334	DAMPER HOLDER	1		
62	320-335	STOPPER RING	1		
63	320-341	WASHER (A)	1		
64	320-328	CYLINDER	1		
65	982-696	FEATHER KEY 3X3X15	2		
66	320-336	PUSHING RING	1		
67	320-337	SPRING (A)	1		
68	320-338	WASHER (C)	1		
69	320-339	RETAINING RING FOR D34 SHAFT	1		
70	320-346	STRIKER	1		
71	320-347	O-RING	2		
72	320-345	THIRD GEAR	1		
73	320-348	PISTON	1		
74	319-581	PISTON PIN	1		
75	982-647	CONNECTING ROD ASS'Y	1	INCLUD.76	
76	956-406	NEEDLE BEARING (NTN 8Q-HK08 10D)	1		
77	313-080	HANDLE BOLT	1		
78	320-357	HANDLE HOLDER	1		
79	313-078	SIDE HANDLE	1		
80	320-366	FELT PACKING	1		
81	320-367	PACKING WASHER	1		
82	600-1DD	BALL BEARING 6001DDCMPS2L	1		
83	971-736	WASHER (B)	1		
84	319-930	FAN	1		
*	85	360-561U	ARMATURE ASS'Y 110V-120V	1	INCLUD.35,82-84,86
*	85	360-561E	ARMATURE ASS'Y 220V-230V	1	INCLUD.84
*	85	360-561F	ARMATURE ASS'Y 240V	1	INCLUD.84
	86	982-631	WASHER (A)	1	
	87	980-931	FAN GUIDE	1	
	88	953-121	HEX. HD. TAPPING SCREW D5X50	2	
*	89	340-507H	STATOR ASS'Y 110V-120V	1	INCLUD.90
*	89	340-507J	STATOR ASS'Y 220V-230V	1	INCLUD.90
*	89	340-507K	STATOR ASS'Y 240V	1	INCLUD.90
*	89	340-507G	STATOR ASS'Y 110V-120V	1	INCLUD.90 FOR USA,CAN
	90	930-703	BRUSH TERMINAL	2	
	91	319-590	HOUSING ASS'Y	1	INCLUD.95,96
	92	319-589	HEX. SOCKET HD. BOLT (W/FLANGE) M5X35	4	
	93	945-161	BRUSH CAP	2	
	94	999-073	CARBON BRUSH (AUTO STOP TYPE) (1 PAIR)	2	
	95	958-900	BRUSH HOLDER	2	
	96	938-477	HEX. SOCKET SET SCREW M5X8	2	
	97	307-811	TAPPING SCREW (W/FLANGE) D4X16 (BLACK)	2	

PARTS

ITEM NO.	CODE NO.	DESCRIPTION	NO. USED	REMARKS
98	310-111	BEARING BUSHING (B)	1	
99	319-587	TAIL COVER	1	
100	959-140	CONNECTOR 50091 (10 PCS.)	1	
* 101	981-500	INTERNAL WIRE	1	EXCEPT FOR USA,CAN
102	307-294	MACHINE SCREW (W/WASHERS) M5X16 (BLACK)	4	
103	319-597	HANDLE	1	
104	319-594	TRIGGER	1	
* 105	319-592	SWITCH (B) (2P PILLAR TYPE) W/O LOCK	1	
* 105	319-593	SWITCH (A) (2P PILLAR TYPE) W/O LOCK	1	FOR GBR (110V),USA,CAN
* 106	994-273	NOISE SUPPRESSOR	1	EXCEPT FOR USA,CAN
* 107	317-492	SUPPORT (B)	1	FOR NOISE SUPPRESSOR
108	319-598	HANDLE COVER	1	
109	301-653	TAPPING SCREW (W/FLANGE) D4X20 (BLACK)	2	
* 110	981-373	TUBE (D)	2	FOR CORD
111	937-631	CORD CLIP	1	
112	984-750	TAPPING SCREW (W/FLANGE) D4X16	2	
113	305-558	TAPPING SCREW (W/FLANGE) D5X25 (BLACK)	2	
* 114	953-327	CORD ARMOR D8.8	1	
* 114	938-051	CORD ARMOR D10.1	1	
* 115	500-390Z	CORD	1	(CORD ARMOR D8.8)
* 115	500-439Z	CORD	1	(CORD ARMOR D8.8) FOR AUS
* 115	500-446Z	CORD	1	(CORD ARMOR D10.1) FOR HKG,GBR (230V)
* 115	500-454Z	CORD	1	(CORD ARMOR D8.8) FOR GBR (110V),SAF
* 115	500-391Z	CORD	1	(CORD ARMOR D10.1) FOR SUI
* 115	500-249Z	CORD	1	(CORD ARMOR D8.8) FOR USA,CAN
* 115	500-457Z	CORD	1	(CORD ARMOR D8.8) FOR CHN
116	313-092	PLUG (A)	1	
* 117	319-595	PLUG (B)	1	
* 117	319-596	PLUG (B)	1	FOR USA,CAN

STANDARD ACCESSORIES

DH 30PB

ITEM NO.	CODE NO.	DESCRIPTION	NO. USED	REMARKS
501	320-973	STOPPER ROD	1	
502	971-787	DUST CUP	1	
503	318-085	SYRINGE (BELLOWS TYPE)	1	
504	319-599	CASE	1	

OPTIONAL ACCESSORIES

ITEM NO.	CODE NO.	DESCRIPTION	NO. USED	REMARKS
601	944-460	TAPER SHANK DRILL BIT D11X100	1	
602	944-461	TAPER SHANK DRILL BIT D12.3X110	1	
603	993-038	TAPER SHANK DRILL BIT D12.7X110	1	
604	944-462	TAPER SHANK DRILL BIT D14.3X110	1	
605	944-500	TAPER SHANK DRILL BIT D14.5X110	1	
606	944-463	TAPER SHANK DRILL BIT D17.5X120	1	
607	944-464	TAPER SHANK DRILL BIT D21.5X140	1	
608	303-617	TAPER SHANK ADAPTER (SDS PLUS) NO.1	1	
609	303-618	TAPER SHANK ADAPTER (SDS PLUS) NO.2	1	
610	303-619	A-TAPER SHANK ADAPTER (SDS PLUS)	1	
611	303-620	B-TAPER SHANK ADAPTER (SDS PLUS)	1	
612	944-477	COTTER	1	
613	302-976	ANCHOR SETTING ADAPTER A (SDS+)W1/4X260L	1	
614	302-975	ANCHOR SETTING ADAPTER A (SDS+)W5/16X260L	1	
615	303-621	ANCHOR SETTING ADAPTER A (SDS+)W3/8X160L	1	
616	302-974	ANCHOR SETTING ADAPTER A (SDS+)W3/8X260L	1	
617	302-979	ANCHOR SETTING ADAPTER B (SDS+)W1/4X260L	1	
618	302-978	ANCHOR SETTING ADAPTER B (SDS+)W5/16X260L	1	
619	303-622	ANCHOR SETTING ADAPTER B (SDS+)W3/8X160L	1	
620	302-977	ANCHOR SETTING ADAPTER B (SDS+)W3/8X260L	1	
621	971-794	ANCHOR SETTING ADAPTER A W1/4" (MANUAL)	1	
622	971-795	ANCHOR SETTING ADAPTER A W5/16" (MANUAL)	1	
623	971-796	ANCHOR SETTING ADAPTER A W3/8" (MANUAL)	1	
624	971-797	ANCHOR SETTING ADAPTER A W1/2" (MANUAL)	1	
625	971-798	ANCHOR SETTING ADAPTER A W5/8" (MANUAL)	1	
626	971-799	ANCHOR SETTING ADAPTER B W1/4" (MANUAL)	1	
627	971-800	ANCHOR SETTING ADAPTER B W5/16" (MANUAL)	1	
628	971-801	ANCHOR SETTING ADAPTER B W3/8" (MANUAL)	1	
629	971-802	ANCHOR SETTING ADAPTER B W1/2" (MANUAL)	1	
630	971-803	ANCHOR SETTING ADAPTER B W5/8" (MANUAL)	1	
631	982-672	CORE BIT (A) 25MM	1	

OPTIONAL ACCESSORIES

DH 30PB

ITEM NO.	CODE NO.	DESCRIPTION	NO. USED	REMARKS
632	982-673	CORE BIT (A) 29MM	1	
633	982-674	CORE BIT (A) 32MM	1	
634	982-675	CORE BIT (A) 35MM	1	
635	982-676	CORE BIT (A) 38MM	1	
636	982-677	CORE BIT (B) 45MM	1	
637	982-678	CORE BIT (B) 50MM	1	
638	982-679	CORE BIT (B) 65MM	1	
639	982-680	CORE BIT (B) 80MM	1	
640	982-681	CORE BIT (B) 90MM	1	
641	982-684	CENTER PIN (A) 109L FOR CORE BIT D32-38	1	
642	982-685	CENTER PIN (B) 104L FOR CORE BIT D45-90	1	
643	303-625	CORE BIT SHANK (SDS PLUS) 25-38MM 105L	1	
644	303-626	CORE BIT SHANK (SDS PLUS) 25-38MM 300L	1	
645	303-627	CORE BIT SHANK (SDS PLUS) 45-90MM 300L	1	
646	315-921	ADAPTER (A) FOR HAMMER DRILL	1	
647	320-859	SYRINGE (BLOW-OUT BULB TYPE)	1	
648	303-046	BULL POINT (SDS+) 250MM (ROUND SHANK TYPE)	1	
649	303-044	CHEMICAL ANCHOR ADAPTER (SDS+)12.7MMX90L	1	
650	303-045	CHEMICAL ANCHOR ADAPTER (SDS+)19.0MMX100L	1	
651	950-275	DRILL CHUCK 13VLR	1	INCLUD.652,654
652	930-515	CHUCK WRENCH 10G	1	
653	950-272	DRILL CHUCK 13VLA	1	INCLUD.652
654	981-122	SPECIAL SCREW M6X22	1	
655	986-802	DUST COLLECTOR ASS'Y	1	INCLUD.656-662
656	986-803	DUST COVER	1	
657	986-804	SEAL COVER	1	
658	948-310	RETAINING RING FOR D30 SHAFT	1	
659	958-063	WASHER	1	
660	959-150	STEEL BALL D6.35 (10 PCS.)	19	
661	986-805	OUTER RACE	1	
662	986-806	SOCKET	1	
663	303-820	DRILL CHUCK AND ADAPTER SET (SDS PLUS)	1	INCLUD.651,654,665
664	303-624	CHUCK ADAPTER (D) (SDS PLUS)	1	
665	303-623	CHUCK ADAPTER (G) (SDS PLUS)	1	
666	971-511Z	+ DRIVER BIT (A) NO.2 25L	1	
667	971-512Z	+ DRIVER BIT (A) NO.3 25L	1	
668	980-927	GREASE FOR HAMMER.HAMMER DRILL (500G)	1	
669	981-840	GREASE (A) FOR HAMMER.HAMMER DRILL (30G)	1	
670	308-471	GREASE FOR HAMMER.HAMMER DRILL (70G)	1	
671	990-912	DUST COLLECTOR (FOR IMPACT DRILL C)	1	
672	963-558	ADAPTER	1	