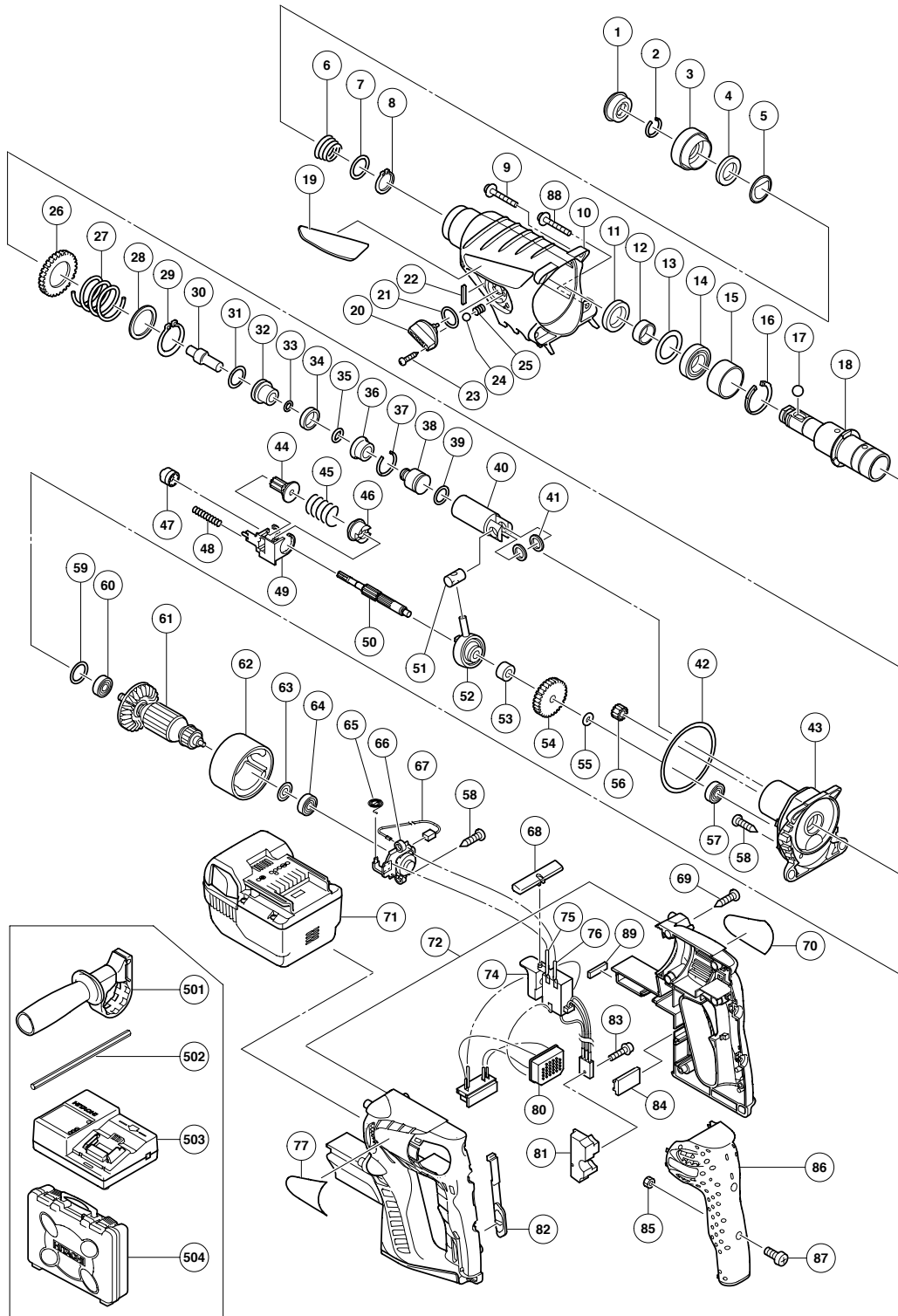


## ELECTRIC TOOL PARTS LIST

### ■ CORDLESS ROTARY HAMMER 2007 · 6 · 25 Model DH 25DAL (E1)



**PARTS**

DH 25DAL

ITEM NO.	CODE NO.	DESCRIPTION	NO. USED	REMARKS
1	306-345	FRONT CAP	1	
2	306-340	STOPPER RING	1	
3	323-154	GRIP	1	
4	324-528	BALL HOLDER	1	
5	324-526	HOLDER PLATE	1	
6	322-812	HOLDER SPRING	1	
7	984-118	WASHER (B)	1	
8	939-547	RETAINING RING FOR D20 SHAFT (10 PCS.)	1	
9	305-558	TAPPING SCREW (W/FLANGE) D5X25 (BLACK)	2	
10	325-555	GEAR COVER (A)	1	
11	307-688	OIL SEAL	1	
12	322-815	SLEEVE	1	
13	323-232	FELT PACKING (B)	1	
14	690-4DD	BALL BEARING 6904DDPS2L	1	
15	324-522	SLEEVE (A)	1	
16	322-813	RETAINING RING 37MM	1	
17	959-156	STEEL BALL D7.0 (10 PCS.)	1	
18	323-184	CYLINDER	1	
19	323-172	HITACHI PLATE (GREEN)	1	
20	325-551	CHANGE LEVER (A)	1	
21	878-885	O-RING (S-18)	1	
22	325-554	FELT PACKING	1	
23	323-239	TAPPING SCREW D2.6X10	1	
24	959-155	STEEL BALL D3.97 (10 PCS.)	1	
25	981-328	SPRING (H)	1	
26	301-677	SECOND GEAR	1	
27	316-135	SPRING (A)	1	
28	301-679	WASHER (A)	1	
29	948-310	RETAINING RING FOR D30 SHAFT	1	
30	324-525	SECOND HAMMER	1	
31	944-486	O-RING (1AP-20)	1	
32	324-523	HAMMER HOLDER	1	
33	322-802	O-RING (B)	1	
34	322-805	DAMPER (A)	1	
35	322-808	O-RING (C)	1	
36	324-524	DAMPER HOLDER	1	
37	306-340	STOPPER RING	1	
38	324-535	STRIKER	1	
39	322-834	O-RING (I.D. 16)	1	
40	324-534	PISTON	1	
41	322-799	WASHER (C)	2	
42	325-254	O-RING (I.D. 72)	1	
43	323-157	INNER COVER ASS'Y	1	INCLUD. 57
44	323-181	SECOND PINION	1	
45	323-182	CLUTCH SPRING	1	
46	324-606	CLUTCH	1	
47	323-249	PINION SLEEVE	1	
48	325-556	SPRING (C)	1	
49	325-553	LOCK PLATE	1	
50	325-552	SECOND SHAFT (A)	1	
51	322-798	PISTON PIN	1	

# PARTS

DH 25DAL

ITEM NO.	CODE NO.	DESCRIPTION	NO. USED	REMARKS	
52	324-533	RECIPROCATING BEARING	1		
53	323-152	COLLAR	1		
54	323-153	FIRST GEAR	1		
55	301-663	SPACER	1		
56	323-170	PINION	1		
57	626-VVM	BALL BEARING 626VVC2PS2L	1		
58	305-812	TAPPING SCREW (W/FLANGE) D4X16 (BLACK)	4		
59	876-796	O-RING (P-22)	1		
60	608-DDM	BALL BEARING 608DDC2PS2L	1		
61	360-814	ARMATURE AND PINION ASS'Y DC 25.2V	1	INCLUD. 56, 60, 63, 64	
62	323-156	MAGNET	1		
63	982-631	WASHER (A)	1		
64	608-DDM	BALL BEARING 608DDC2PS2L	1		
65	308-536	SPRING	2		
66	323-164	BRUSH HOLDER	1		
67	999-090	CARBON BRUSH (AUTO STOP TYPE) (1 PAIR)	2		
68	328-064	PUSHING BUTTON	1		
69	302-086	TAPPING SCREW (W/FLANGE) D4X20 (BLACK)	6		
70		NAME PLATE	1		
71	328-033	BATTERY BSL 2530 (EUROPE, AUS, NZL)	2		
72	328-514	HOUSING (A).(B) SET	1		
74	328-058	DC-SPEED CONTROL SWITCH	1		
75	323-166	INTERNAL WIRE (RED)	1		
76	323-165	INTERNAL WIRE (BLACK)	1		
77		HITACHI LABEL	1		
80	328-060	CONTROLLER TERMINAL SET	1		
81	319-812	HEAT SINK	1		
82	323-159	SHIFT KNOB	1		
83	993-963	MACHINE SCREW (W/WASHERS) M3X12	1		
84	313-591	RUBBER HOLDER	1		
85	949-554	NUT M4 (10 PCS.)	2		
86	323-160	GRIP COVER	1		
87	949-215	MACHINE SCREW M4X8 (10 PCS.)	2		
88	328-707	TAPPING SCREW (W/FLANGE) D5X30 (BLACK)	2		
89	328-708	CUSHION (A)	1		

## STANDARD ACCESSORIES

DH 25DAL

ITEM NO.	CODE NO.	DESCRIPTION	NO. USED	REMARKS
501	303-709	DEPTH GAUGE	1	
502	323-155	SIDE HANDLE	1	
503		CHARGER (MODEL UC 36YRL)	1	
504	329-317	CASE	1	

## OPTIONAL ACCESSORIES

ITEM NO.	CODE NO.	DESCRIPTION	NO. USED	REMARKS
601	303-332	HAMMER DRILL CHUCK SET 13MM	1	INCLUD. 602, 603
602	303-334	CHUCK HANDLE	1	
603	303-335	RUBBER CAP	1	
604	321-825	DRILL CHUCK AND ADAPTER SET	1	INCLUD. 605, 606
605	303-623	CHUCK ADAPTER (G) (SDS PLUS)	1	
606	321-814	DRILL CHUCK 13VLRB-D	1	INCLUD. 607, 608
607	995-344	FLAT HD. SCREW (A) (LEFT HAND) M6X25	1	
608	987-576	CHUCK WRENCH FOR 13VLB-D, 13VLR-D	1	
609	321-813	DRILL CHUCK 13VLD-D	1	INCLUD. 610
610	303-334	CHUCK HANDLE	1	
611	971-787	DUST CUP	1	
612	931-844	STOPPER	1	
613	971-511Z	+ DRIVER BIT (A) NO. 2 25L	1	
614	971-512Z	+ DRIVER BIT (A) NO. 3 25L	1	
615	971-794	ANCHOR SETTING ADAPTER A W1/4" (MANUAL)	1	
616	971-795	ANCHOR SETTING ADAPTER A W5/16" (MANUAL)	1	
617	971-796	ANCHOR SETTING ADAPTER A W3/8" (MANUAL)	1	
618	971-797	ANCHOR SETTING ADAPTER A W1/2" (MANUAL)	1	
619	971-798	ANCHOR SETTING ADAPTER A W5/8" (MANUAL)	1	
620	971-799	ANCHOR SETTING ADAPTER B W1/4" (MANUAL)	1	
621	971-800	ANCHOR SETTING ADAPTER B W5/16" (MANUAL)	1	
622	971-801	ANCHOR SETTING ADAPTER B W3/8" (MANUAL)	1	
623	971-802	ANCHOR SETTING ADAPTER B W1/2" (MANUAL)	1	
624	971-803	ANCHOR SETTING ADAPTER B W5/8" (MANUAL)	1	
625	944-477	COTTER	1	
626	303-617	TAPER SHANK ADAPTER (SDS PLUS) NO. 1	1	
627	303-619	A-TAPER SHANK ADAPTER (SDS PLUS)	1	
628	303-620	B-TAPER SHANK ADAPTER (SDS PLUS)	1	
629	303-624	CHUCK ADAPTER (D) (SDS PLUS)	1	
630	302-976	ANCHOR SETTING ADAPTER A (SDS+) W1/4X260L	1	
631	302-975	ANCHOR SETTING ADAPTER A (SDS+) W5/16X260L	1	
632	303-621	ANCHOR SETTING ADAPTER A (SDS+) W3/8X160L	1	
633	302-974	ANCHOR SETTING ADAPTER A (SDS+) W3/8X260L	1	
634	302-979	ANCHOR SETTING ADAPTER B (SDS+) W1/4X260L	1	
635	302-978	ANCHOR SETTING ADAPTER B (SDS+) W5/16X260L	1	
636	303-622	ANCHOR SETTING ADAPTER B (SDS+) W3/8X160L	1	
637	302-977	ANCHOR SETTING ADAPTER B (SDS+) W3/8X260L	1	
638	303-044	CHEMICAL ANCHOR ADAPTER (SDS+) 12.7MMX90L	1	
639	303-045	CHEMICAL ANCHOR ADAPTER (SDS+) 19.0MMX100L	1	
640	303-625	CORE BIT SHANK (SDS PLUS) 25-38MM 105L	1	
641	303-626	CORE BIT SHANK (SDS PLUS) 25-38MM 300L	1	

**OPTIONAL ACCESSORIES**

DH 25DAL

ITEM NO.	CODE NO.	DESCRIPTION	NO. USED	REMARKS
642	303-627	CORE BIT SHANK (SDS PLUS) 45-90MM 300L	1	
643	306-885	DUST COLLECTOR (B) ASS'Y	1	INCLUD. 644
644	306-910	SOCKET ADAPTER (B)	1	
645	944-460	TAPER SHANK DRILL BIT D11X100	1	
646	944-461	TAPER SHANK DRILL BIT D12.3X110	1	
647	993-038	TAPER SHANK DRILL BIT D12.7X110	1	
648	944-462	TAPER SHANK DRILL BIT D14.3X110	1	
649	944-500	TAPER SHANK DRILL BIT D14.5X110	1	
650	944-463	TAPER SHANK DRILL BIT D17.5X120	1	
651	944-464	TAPER SHANK DRILL BIT D21.5X140	1	
652	982-672	CORE BIT (A) 25MM	1	
653	982-673	CORE BIT (A) 29MM	1	
654	982-674	CORE BIT (A) 32MM	1	INCLUD. 655
655	982-686	GUIDE PLATE (FOR CORE BIT 32MM)	1	
656	982-675	CORE BIT (A) 35MM	1	INCLUD. 657
657	982-687	GUIDE PLATE (FOR CORE BIT 35MM)	1	
658	982-676	CORE BIT (A) 38MM	1	INCLUD. 659
659	982-688	GUIDE PLATE (FOR CORE BIT 38MM)	1	
660	982-677	CORE BIT (B) 45MM	1	INCLUD. 661
661	982-689	GUIDE PLATE (FOR CORE BIT 45MM)	1	
662	982-678	CORE BIT (B) 50MM	1	INCLUD. 663
663	982-690	GUIDE PLATE (FOR CORE BIT 50MM)	1	
664	982-684	CENTER PIN (A) 109L FOR CORE BIT D32-38	1	
665	982-685	CENTER PIN (B) 104L FOR CORE BIT D45-90	1	
666	981-840	GREASE (A) FOR HAMMER.HAMMER DRILL (30G)	1	
667	308-471	GREASE FOR HAMMER.HAMMER DRILL (70G)	1	
668	980-927	GREASE FOR HAMMER.HAMMER DRILL (500G)	1	
669	303-046	BULL POINT (SDS+) 250MM (ROUND SHANK TYPE)	1	
670	325-149	GREASE (MOLUB-ALLOY NO. 777-1) 75G	1	

