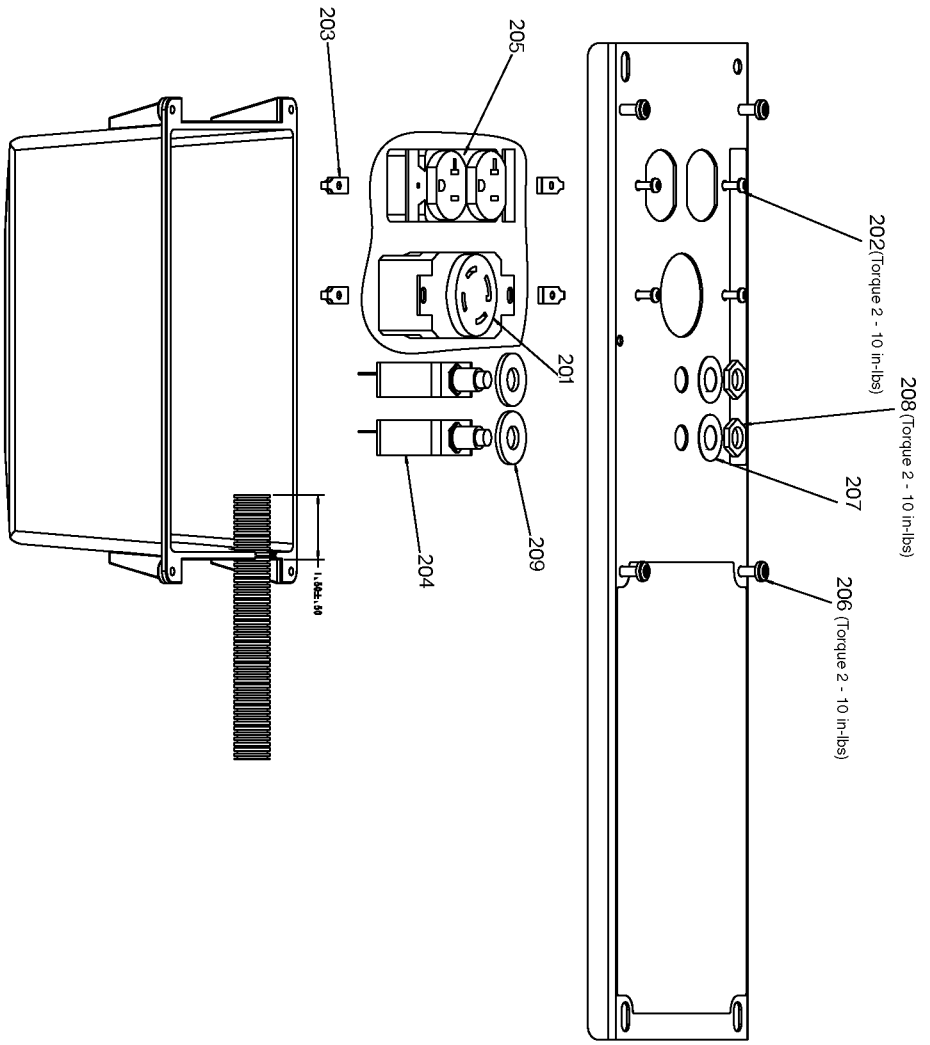


SCALE 1:1
CAPACITOR WIRING



121 INSERT INTO O-RING GROOVE PART OF 10

SHOWN FOR REFERENCE ONLY



Parts List for DGT5010-WK Type 1

Item Number	Part Number	Description	Qty Required
1	91895680	SCREW .250-20X.750 H	10
2	Z-GS-0795	TANK FUEL 7G SS	1
3	GS-0443	CAP FUEL TANK	1
4	Z-A14582	HOSE FUEL	1
5	GS-0227	CLAMP FUEL .50	1
6	N103455	GROMMET	1
7	GS-0437	DRAIN COCK	1
8	GS-0077	COVER END BLANK	1
9	SSF-553-1	SCREW #10-24X.563 TH	10
10	GS-0033	ISOLATOR VIBRATION 1	4
11	SSN-1014-ZN	WASHER .339/.344 ID	10
12	SSF-8111-ZN	NUT .375-16 HEX WHIZ	1
13	GS-0117	LUG GROUND	1
14	SS-12-CD	SCREW .313-18X.750 H	10
15	SSF-3140-ZN	SCREW .375-16X1.00 H	1
16	SSF-8150	NUT .312-18 UNC HEX	10
17	SSF-3121-ZN	SCREW .313-18X1.75 H	10
18	N017772	LOCK WASHER	10
19	GS-0118	STRAP GROUND	1
20	SSF-628	SCREW .375-16X2.50 H	10
21	000000-00	No Longer Available	1
22	000000-00	No Longer Available	1
23	000000-00	No Longer Available	1
24	000000-00	No Longer Available	10
26	GS-0746	SPACER ENGINE TECUMS	1
27	SSN-632	WASHER .875 OD .375	10
101	000000-00	No Longer Available	1

Parts List for DGT5010-WK Type 1

Item Number	Part Number	Description	Qty Required
101	000000-00	No Longer Available	1
102	5130235-00	LOCK WASHER	1
103	SSF-616-ZN	SCREW .313-24X1.00 H	10
104	000000-00	No Longer Available	1
104	A04191	KIT SERVICE FOCUS MO	1
105	000000-00	No Longer Available	1
106	000000-00	No Longer Available	1
106	A04191	KIT SERVICE FOCUS MO	1
107	330016-13	WASHER	10
108	SSF-576	NUT .313-24 HEX W/KE	10
109	000000-00	No Longer Available	1
110	000000-00	No Longer Available	1
112	SSF-575	NUT .250-20 HEX W/KE	1
113	GS-0592	CAPACITOR 35uF 3% 37	1
116	GS-0595	BRACKET CAPACITOR 2.	1
117	SSF-553-1	SCREW #10-24X.563 TH	10
121	GS-0862	O-RING ROTOR BEARING	1
201	GS-0445	RECEPTACLE 4 PRONG T	1
202	SSF-583	SCREW #6-32X.500 PAN	1
203	SSF-584	NUT #6-32 SPEED SELF	10
204	D21508	BREAKER CIRCUIT	1
205	GS-0019	RECEPTACLE 120V 20A	1
206	SSF-3156	SCREW #10-9X.500 THD	10
207	000000-00	No Longer Available	1
208	SSF-595	NUT .438-28 UNEF HEX	10
209	SS-1525-CD	WASHER WRT 3/8	10
856	GS-0082	DIODE DSA	1