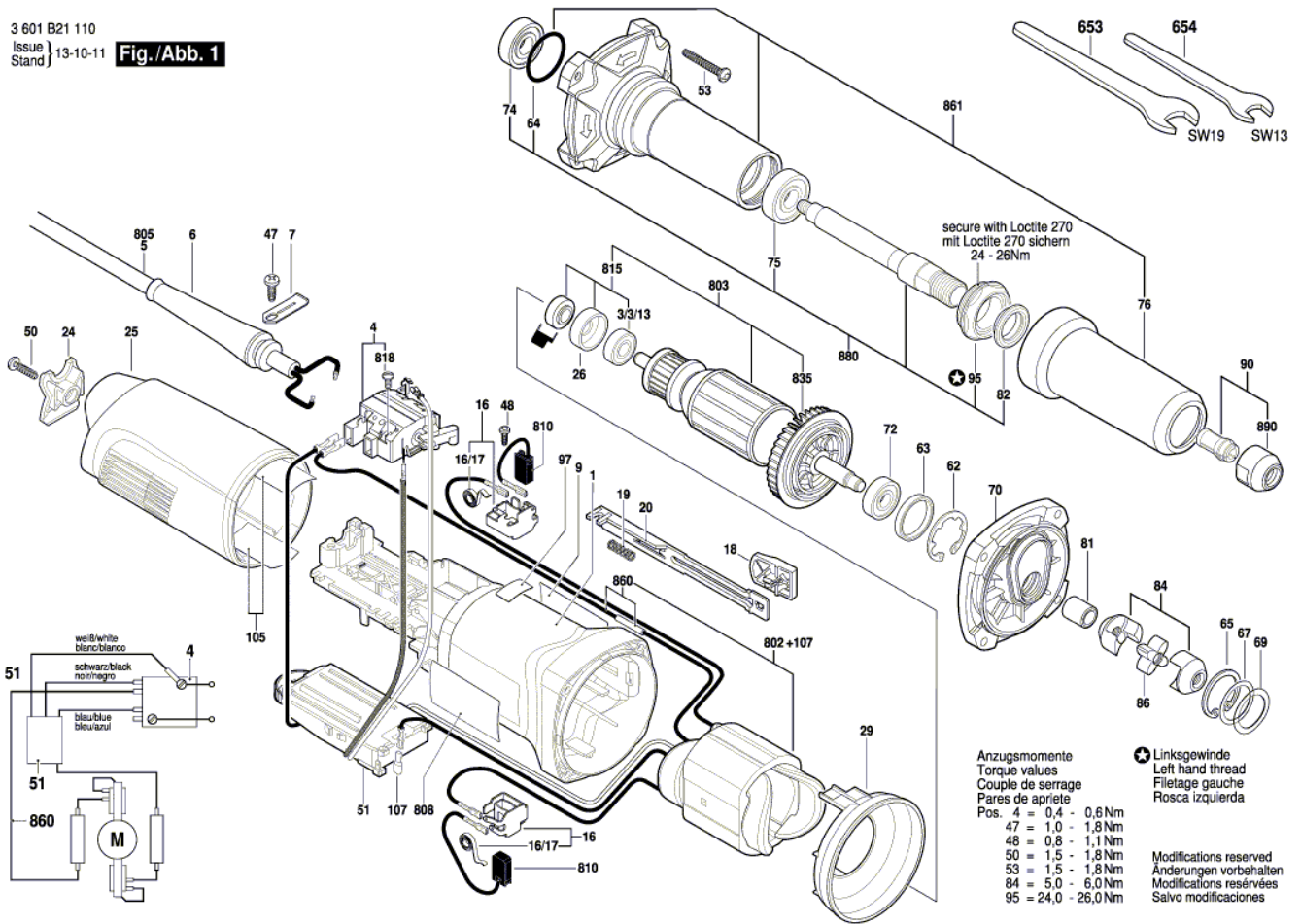


3 601 B21 110
Issue 13-10-11
Stand Fig./Abb. 1



Pos.	Part Number	Description	Pos.	Part Number	Description
1	3 605 108 224				
3/3/13	2 600 905 032	Deep-Groove Ball Bearing			
4	1 607 200 199	On-Off Switch			
5	1 604 460 336	Power supply cord			
6	1 600 703 040				
7	1 601 302 017	Fastening Clamp			
9	3 601 110 554				
16	1 601 323 025	Brush Holder			
16/17	1 604 652 013	Spiral Spring			
18	1 602 026 088				
19	1 604 611 026	Compression Spring			
20	1 602 319 010	Adjusting Slide			
24	1 605 500 227	Cover			
25	1 605 500 251	Housing Cover			
26	1 600 206 036	Rubber Ring			
29	1 600 591 025	Air-Deflector Ring			
47	2 603 490 021	Torx Oval-Head Screw			
48	1 613 435 034	Lens Head Screw			
50	2 603 490 023	Lens Head Screw			
51	1 607 233 555				
53	2 603 490 026	Lens Head Screw			
62	1 600 119 011	Spring retaining ring			
63	1 600 206 025	Rubber Ring			
64	1 610 210 101	O-Ring			
65	2 916 660 010	Spring retaining ring			
67	3 600 150 011	Shim			
69	1 710 102 601	Shim			
70	3 605 700 186				
72	1 600 905 032	Deep-Groove Ball Bearing			
74	3 600 905 156				
75	3 600 905 157				
76	3 605 500 194				
81	3 600 400 034				
82	3 600 103 020				
84	3 606 445 045				
86	3 606 337 242				
90	3 607 030 482				
95	3 600 328 043				
97	3 601 110 550				
105	1 601 008 005	Insulating Plate			
107	1 600 712 030	Insulating Part			
653	3 607 950 024				
654	3 607 950 025				
802	3 607 031 719				
803	3 607 030 479				
808	1 601 106 032				
810	1 607 014 176				
815	1 607 000 378	Parts Set			
818	2 910 110 048	Pan head screw			
835	1 606 610 129	Fan			
860	1 604 448 023	Connecting Cable			
861	3 607 031 668				
880	3 607 031 667				
890	3 603 313 006				