

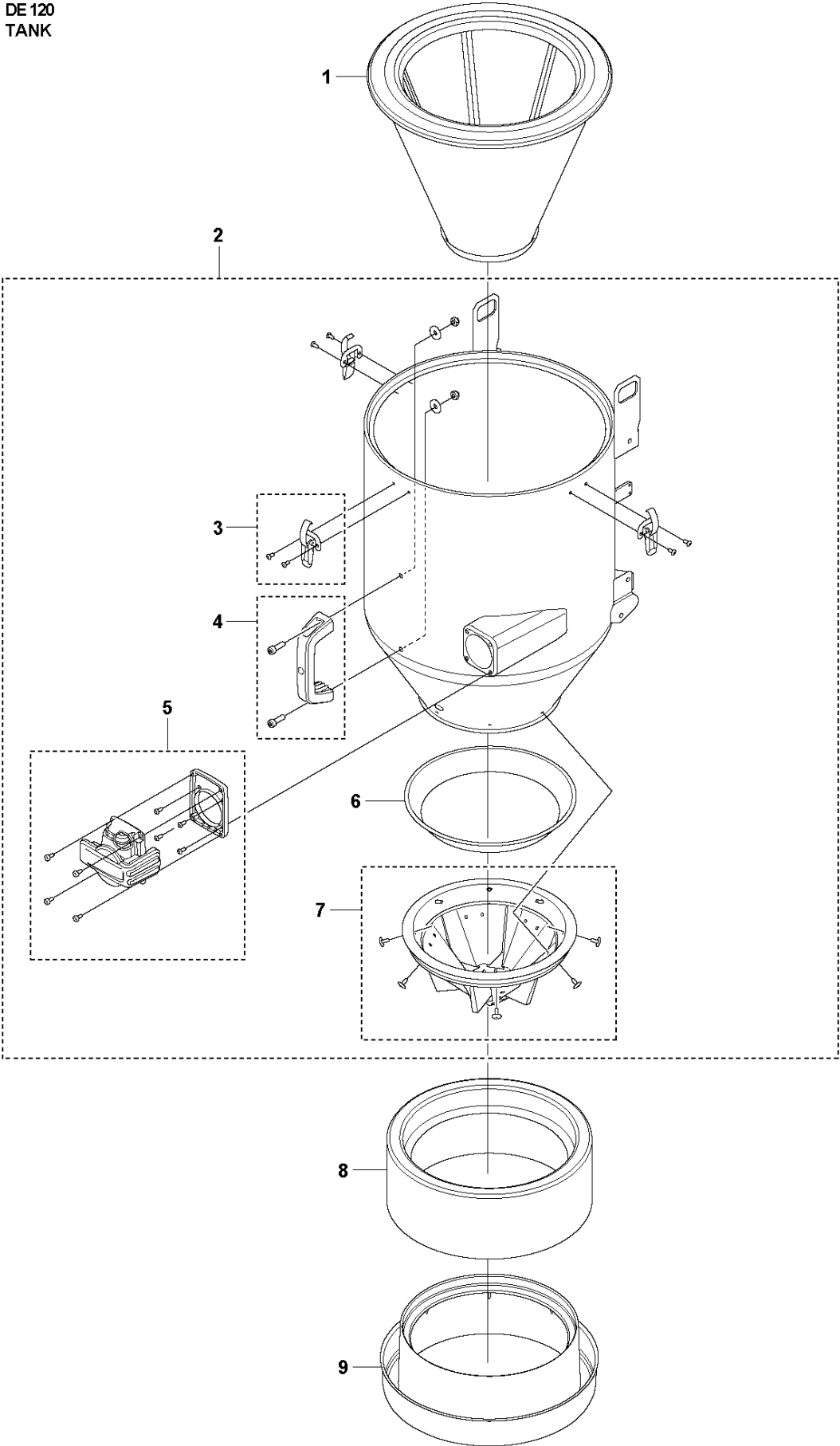


SPARE PARTS LIST

DUST AND SLURRY MANAGEMENT

DE 120, 2022-01

A DE 120
TANK

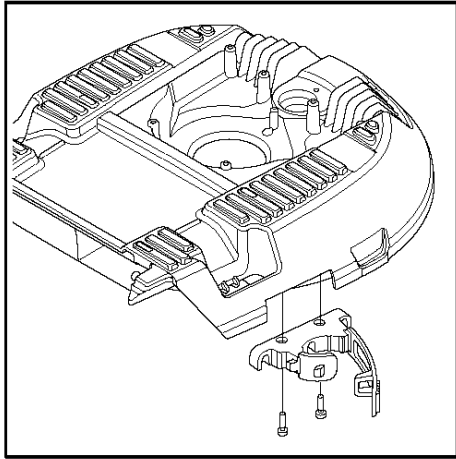


TANK

DE 120, 2022-01

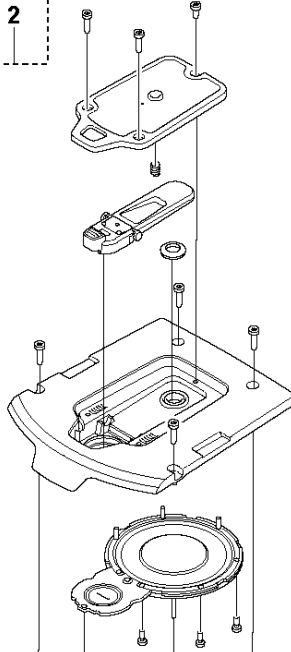
Ref	Part No	Description	Remark	QTY	KIT
1	536 37 27-01	AIR FILTER		1	
2	535 27 64-01	TANK ASSY		1	1
3	534 11 93-01	BUCKLE		3	1
4	534 11 96-01	HANDLE		1	1
5	531 16 45-01	INLET		1	1
6	531 38 49-01	SUPPORT RING		1	1
7	534 12 74-01	CONE		1	1
8	590 42 92-01	DUST BAG		1	
9	599 15 85-01	HOLDER		1	

B DE 120
LID

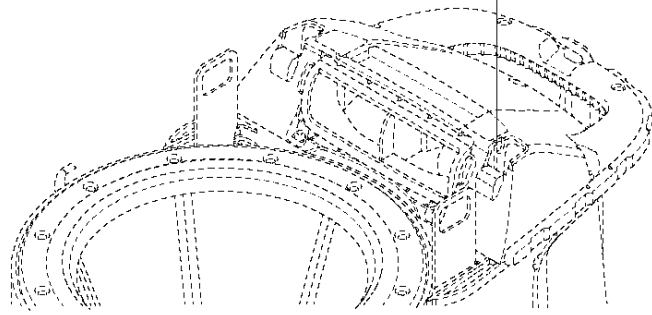
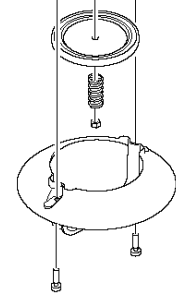
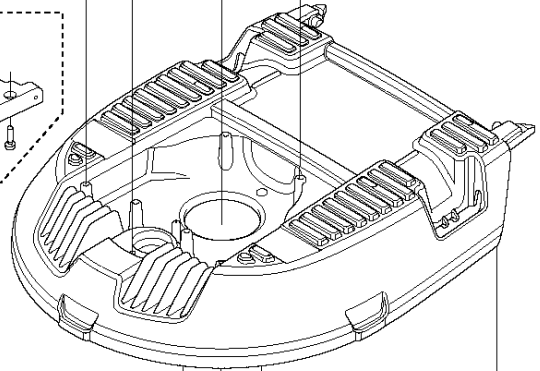
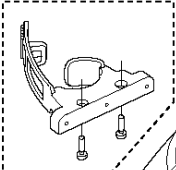


1

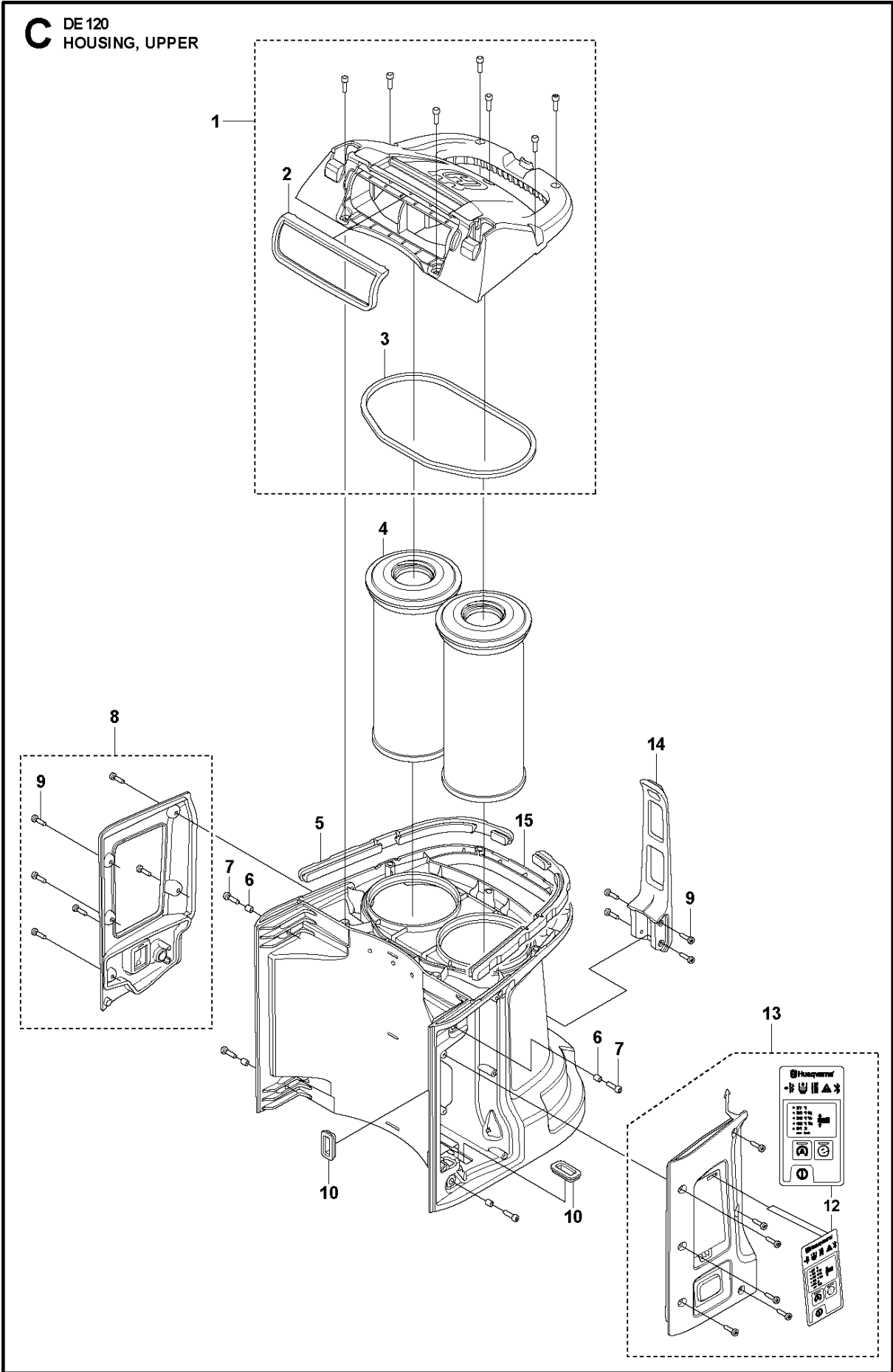
2



3



Ref	Part No	Description	Remark	QTY KIT	
1	599 81 18-01	LID ASSY		1	
2	535 27 65-01	LEVER ASSY		1	1
3	535 27 66-01	STRAP		1	1

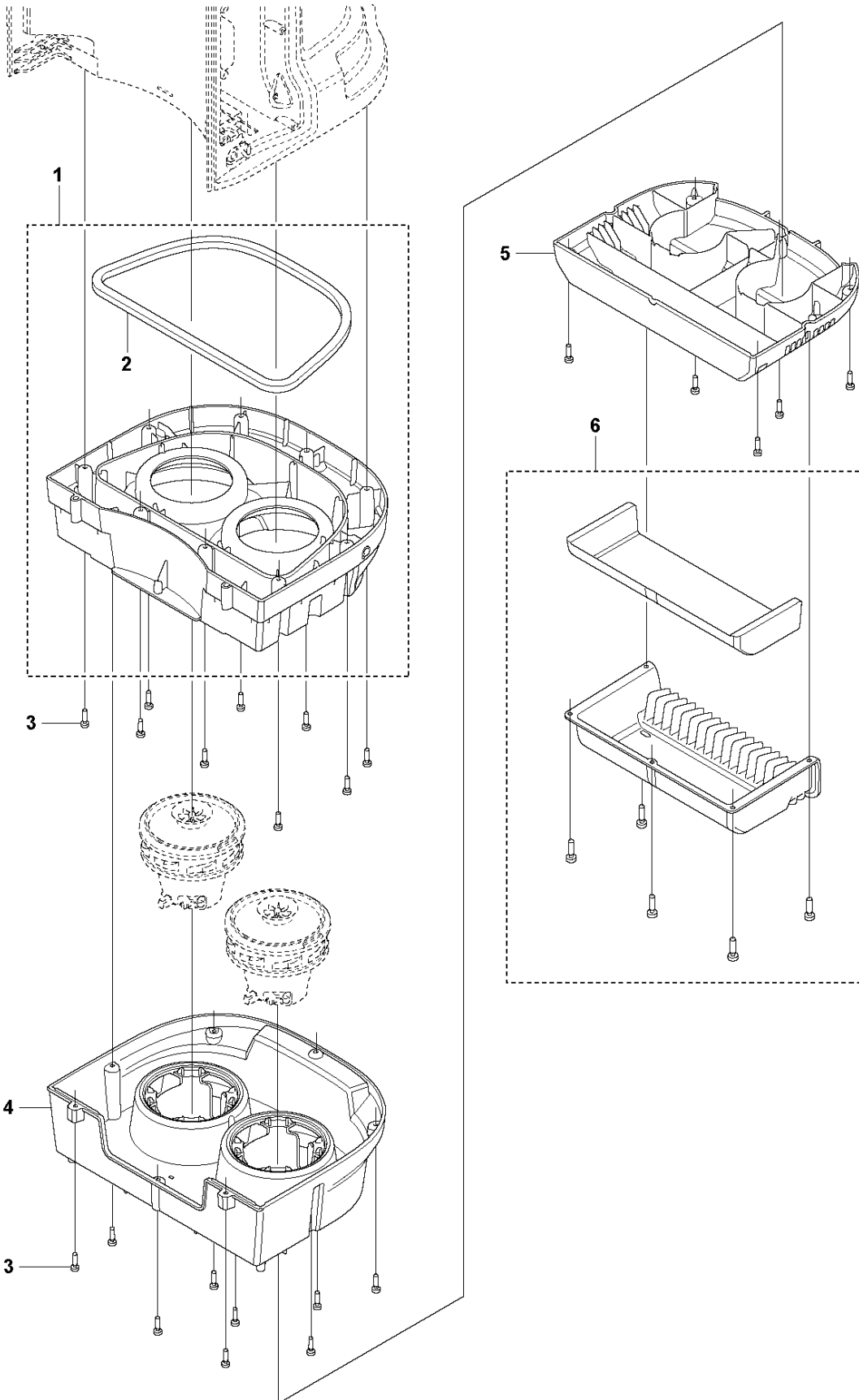


HOUSING, UPPER

DE 120, 2022-01

Ref	Part No	Description	Remark	QTY KIT	
1	535 27 68-01	COVER		1	
2	599 77 74-01	SEALING		1	1
3	599 77 75-01	SEALING		1	1
4	534 12 36-01	FILTER		2	
5	599 77 76-01	BUMPER		2	
6	599 83 84-01	BUSHING		4	
7	544 21 84-20	SCREW ITXSCM		4	
8	535 02 27-01	LID	W SWITCH	1	
8	535 02 27-03	LID	W/O SWITCH	1	
9	599 60 83-01	SCREW ITXSCT	T27 PT5x20	32	8
10	599 62 41-01	SEALING		2	
12	599 44 50-04	KEYPAD		1	13
13	535 27 70-01	LID		1	

D DE 120
HOUSING, LOWER

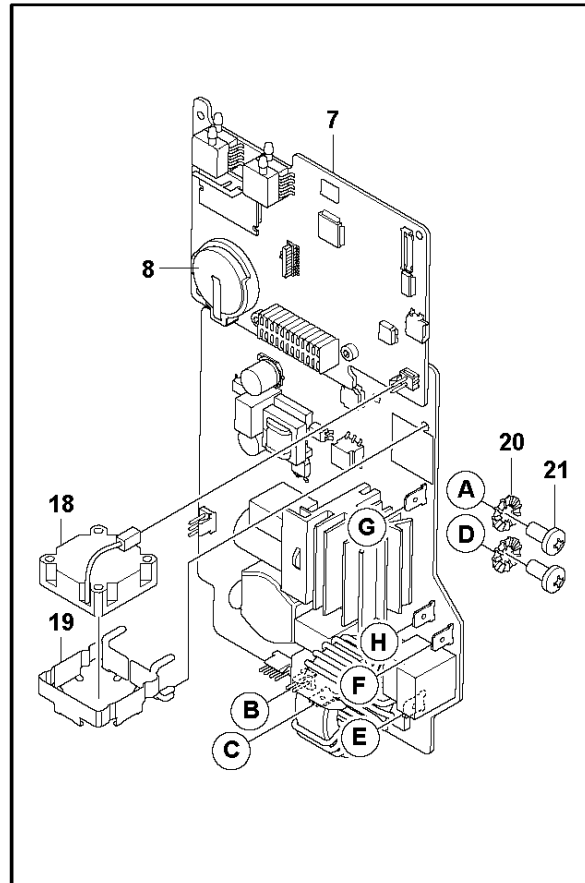
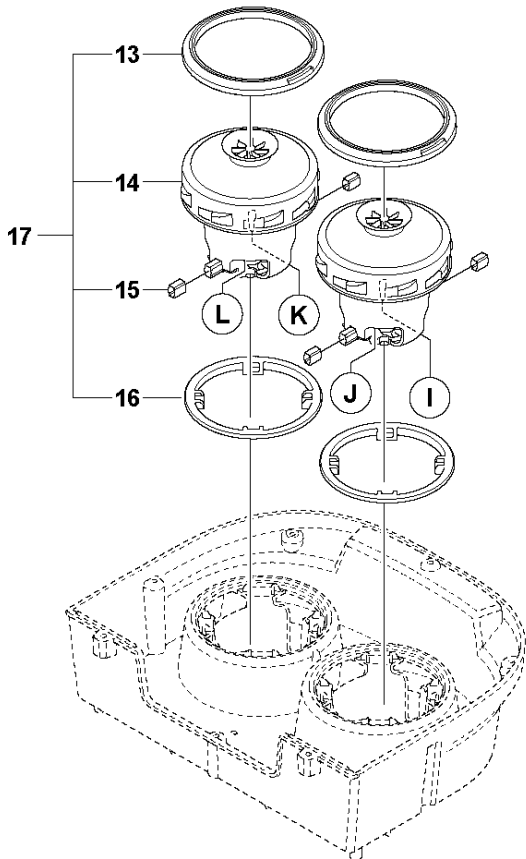
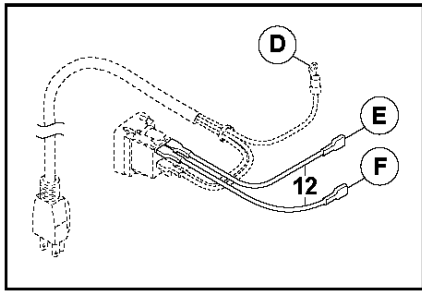
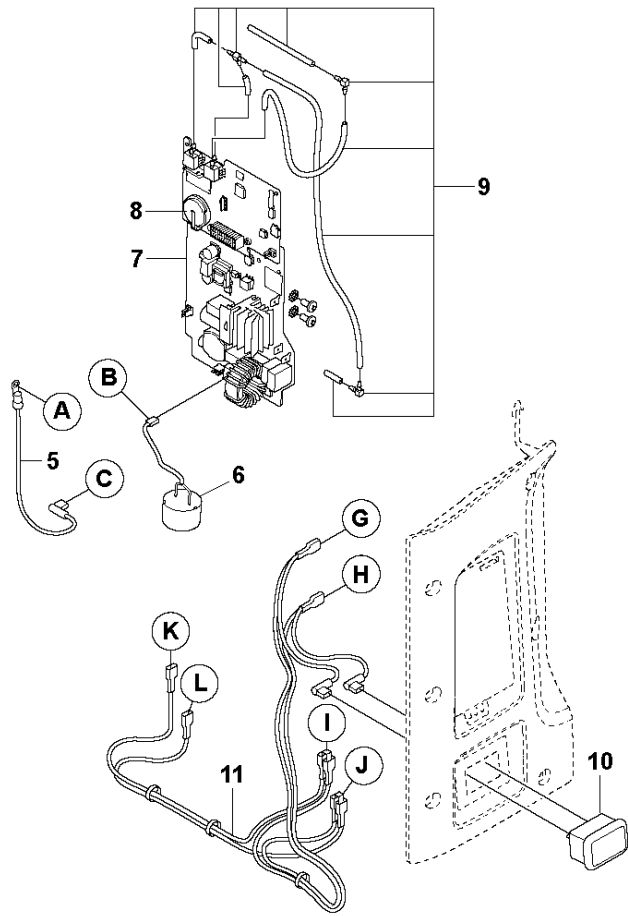
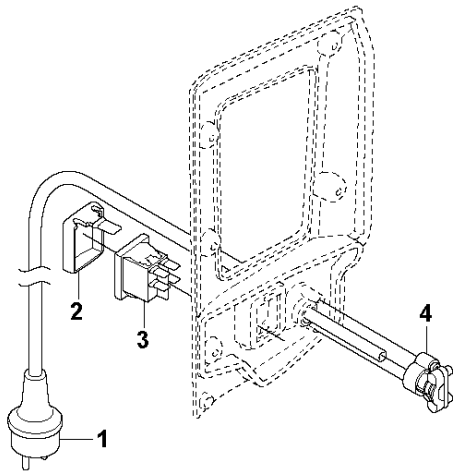


HOUSING, LOWER

DE 120, 2022-01

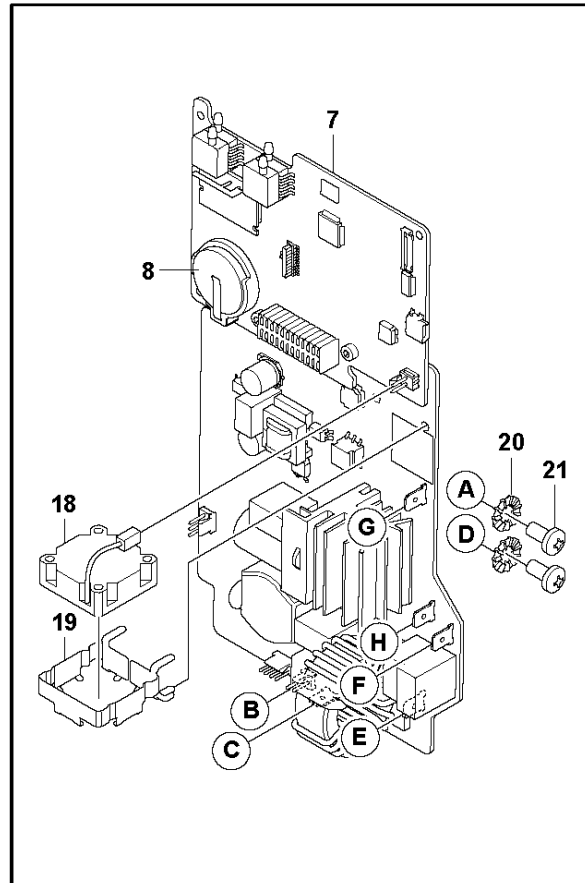
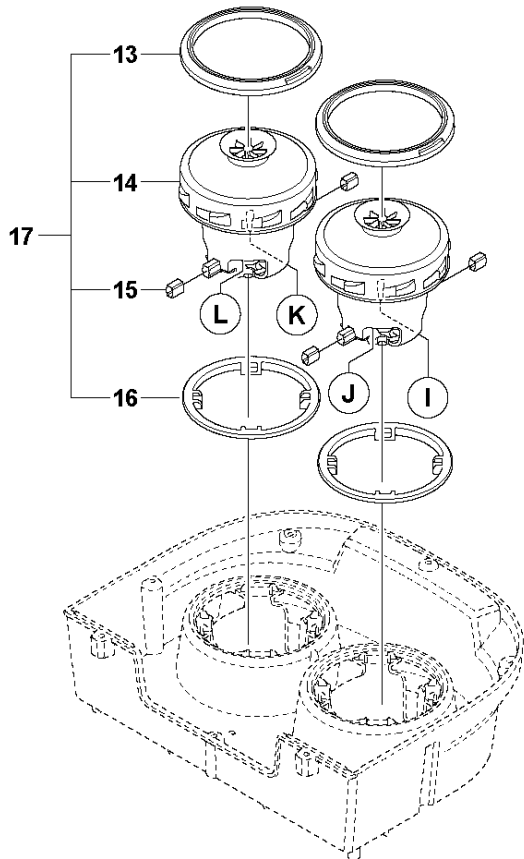
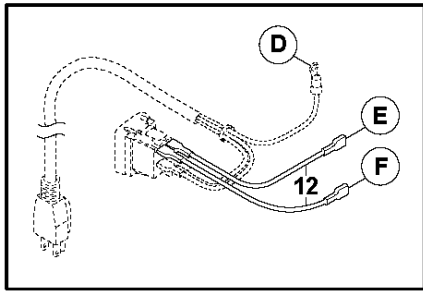
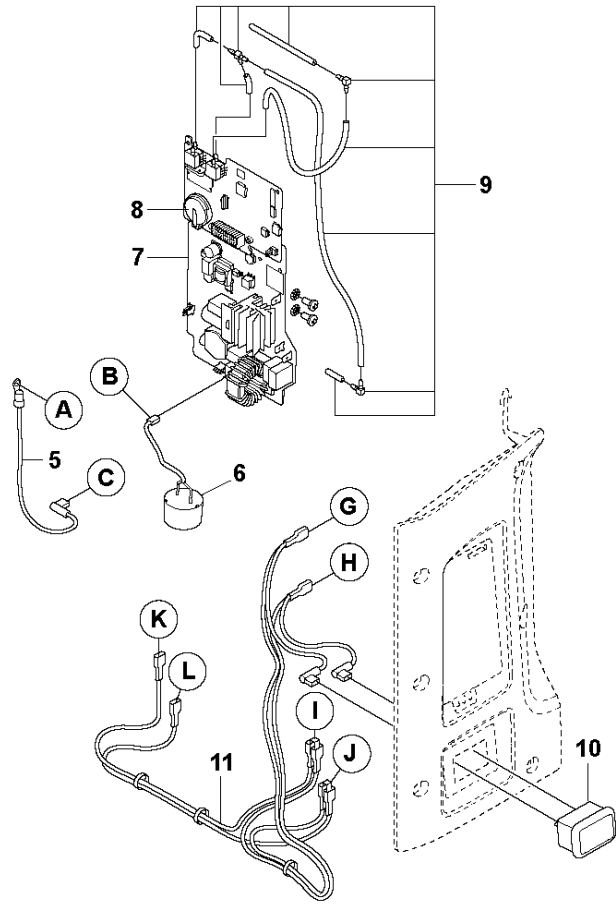
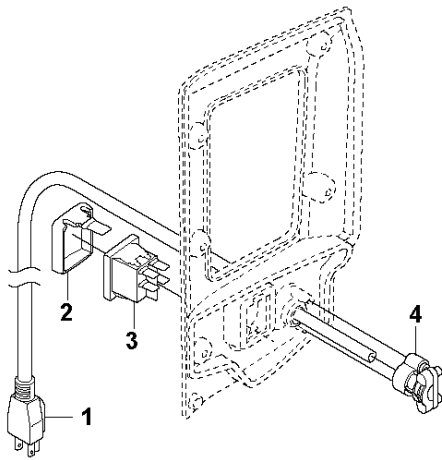
Ref	Part No	Description	Remark	QTY	KIT
1	535 27 71-01	COVER		1	
2	599 77 92-01	SEALING		1	1
3	599 60 83-01	SCREW ITXSCT	T27 PT5x20	23	
4	599 98 84-01	MOTOR HOUSING		1	
5	599 98 85-01	COVER		1	

E DE 120
MOTOR & ELECTRICAL - EU, AUS

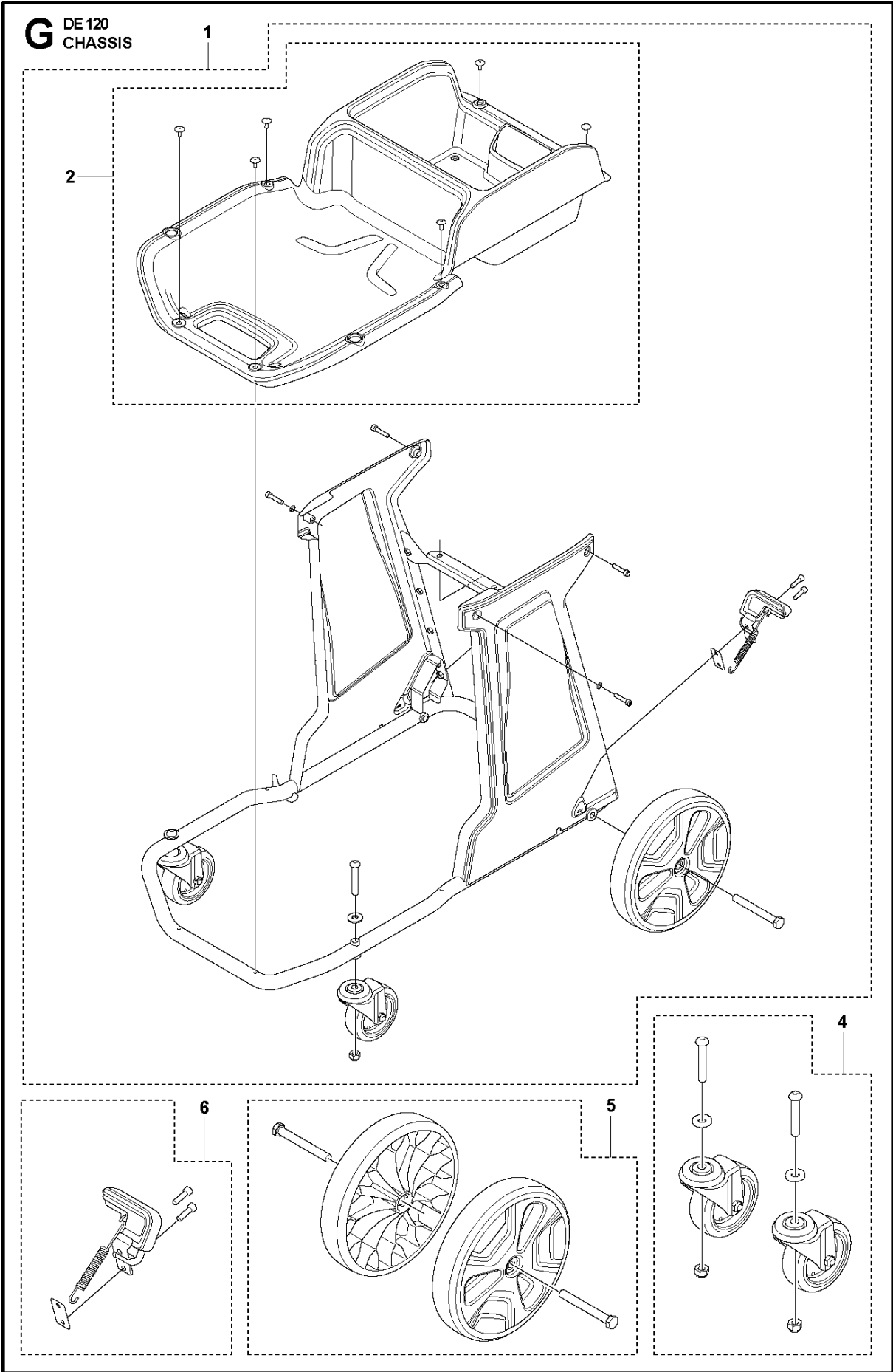


Ref	Part No	Description	Remark	QTY	KIT
1	599 24 93-01	POWER CORD	EU/RoW	1	
1	599 24 93-02	POWER CORD	AU	1	
1	599 24 93-03	POWER CORD	BR	1	
2	534 14 91-01	LID		1	
3	529 67 99-01	SWITCH		1	
4	531 39 17-01	CABLE GROMMET		1	
5	529 62 08-01	WIRE	EU/AUS/RoW/BR	1	
6	599 83 95-01	BUZZER		1	
7	599 81 99-01	PRINTED CIRCUIT ASSY		1	
8	000 00 00-00	W/O DESCRIPTION	CR2450X / 3V 600mAh	1	
9	536 47 80-02	HOSE KIT		1	
10	599 58 92-01	HOUR METER		1	
11	000 00 00-00	W/O DESCRIPTION			
12	535 28 69-01	WIRE	Switch-PCBA	2	
13	599 29 88-01	SEALING RING		2	17
14	599 52 54-01	MOTOR	EU/AU/BR/RoW 230V	2	17
15	536 50 75-01	BRUSH KIT	230V	2	17
16	599 51 03-01	SEALING RING		2	17
17	535 28 73-01	MOTOR KIT	EU/AU/BR/RoW 230V	2	
18	531 11 35-01	BRACKET		1	
19	531 07 00-01	FAN		1	
20	735 21 46-01	LOCKWASHER		2	
21	724 13 25-51	SCREW CRPANM	M5x10	2	

F DE 120
MOTOR & ELECTRICAL - US, UK, JP



Ref	Part No	Description	Remark	QTY KIT	
1	599 24 93-06	POWER CORD	US 120V	1	
1	599 24 93-07	POWER CORD	US 230V	1	
1	599 24 93-05	POWER CORD	UK	1	
1	599 24 93-09	POWER CORD	JP	1	
2	534 14 91-01	LID		1	
3	529 67 99-01	SWITCH		1	
4	531 39 17-01	CABLE GROMMET		1	
5	529 62 08-02	WIRE	US/JP	1	
5	529 62 08-02	WIRE	UK/NA/JP	1	
6	599 83 95-01	BUZZER		1	
7	599 81 99-01	PRINTED CIRCUIT ASSY		1	
8	000 00 00-00	W/O DESCRIPTION	CR2450X / 3V 600mAh	1	
9	536 47 80-02	HOSE KIT		1	
10	599 58 92-01	HOUR METER		1	
11	000 00 00-00	W/O DESCRIPTION			
13	599 29 88-01	SEALING RING		2	17
14	599 52 54-02	MOTOR	US/UK 120V	2	17
14	599 52 54-03	MOTOR	US 230V	2	17
14	599 52 54-04	MOTOR	JP 200V	2	17
15	536 50 75-02	BRUSH KIT	120V	2	17
16	599 51 03-01	SEALING RING		2	17
17	535 28 73-02	MOTOR KIT	UK 120V	2	
17	535 28 73-03	MOTOR KIT	US 230V	2	
17	535 28 73-06	MOTOR KIT	US/UK 120V	2	
18	531 11 35-01	BRACKET		1	
19	531 07 00-01	FAN		1	
20	735 21 46-01	LOCKWASHER		2	
21	724 13 25-51	SCREW CRPANM	M5x10	2	

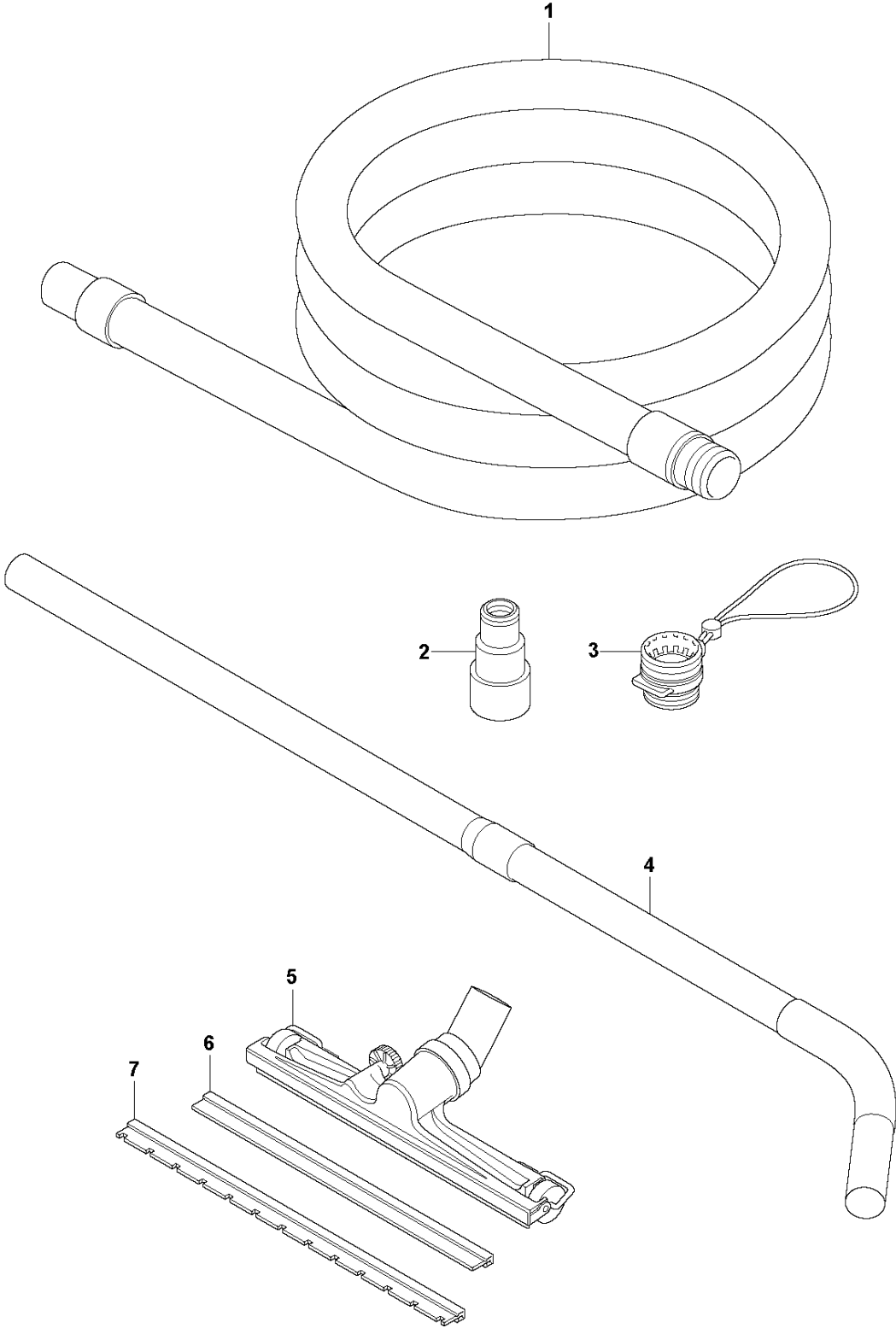


CHASSIS

DE 120, 2022-01

Ref	Part No	Description	Remark	QTY	KIT
1	599 81 22-01	FRAME ASSY		1	
2	535 27 74-01	TRAY		1	1
4	534 12 51-01	WHEEL KIT		2	
5	535 27 72-01	REAR WHEEL	ø250	2	
6	529 74 66-01	BRAKE ASSY		1	

H DE 120
ACCESSORIES



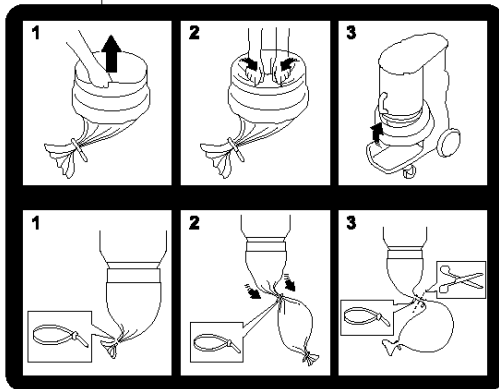
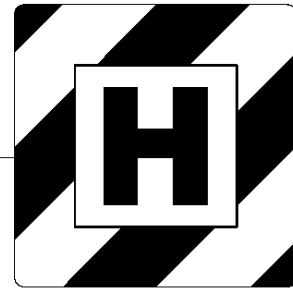
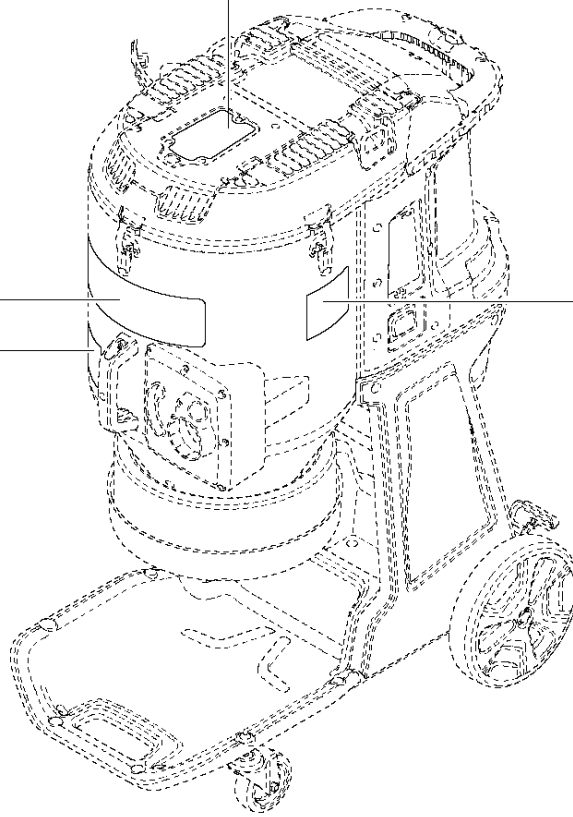
ACCESSORIES

DE 120, 2022-01

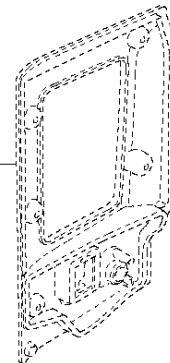
Ref	Part No	Description	Remark	QTY KIT
1	536355101	TBD	51mm/7,5m w adapters	1
1	536356401	TBD	51mm/7,5m w adapters	1
1	529 35 55-01	HOUSING	51mm/30m w/o adapters	1
1	529 56 93-01	HOSE	51mm/30m w/o adapters	1
2	536 34 94-01	HOSE CONNECTOR	51mm hose-machine	1
2	536 34 96-01	ADAPTER	51mm hose/wand	1
2	536 06 84-01	HOSE CONNECTOR	76mm hose/machine	1
2	533 37 22-01	ADAPTER	76mm hose/equipment	1
2	536 13 44-01	ADAPTER	hose/hose connector	1
2	594 95 68-01	ADAPTER	51mm	1
3	531 36 35-01	CAP ASSY	38-51mm	1
4	536 34 42-01	WAND	51mm	1
5	536 34 39-01	NOZZLE	450mm	1
6	599 59 42-01	BRUSH KIT	450mm	2
7	529 80 42-02	TOOL	450mm	2

J DE 120
DECALS - NA

 **Husqvarna**
DE 120



MIN 200W
MAX 1200W



Ref	Part No	Description	Remark	QTY KIT
1	529 88 31-02	DECAL KIT		1