

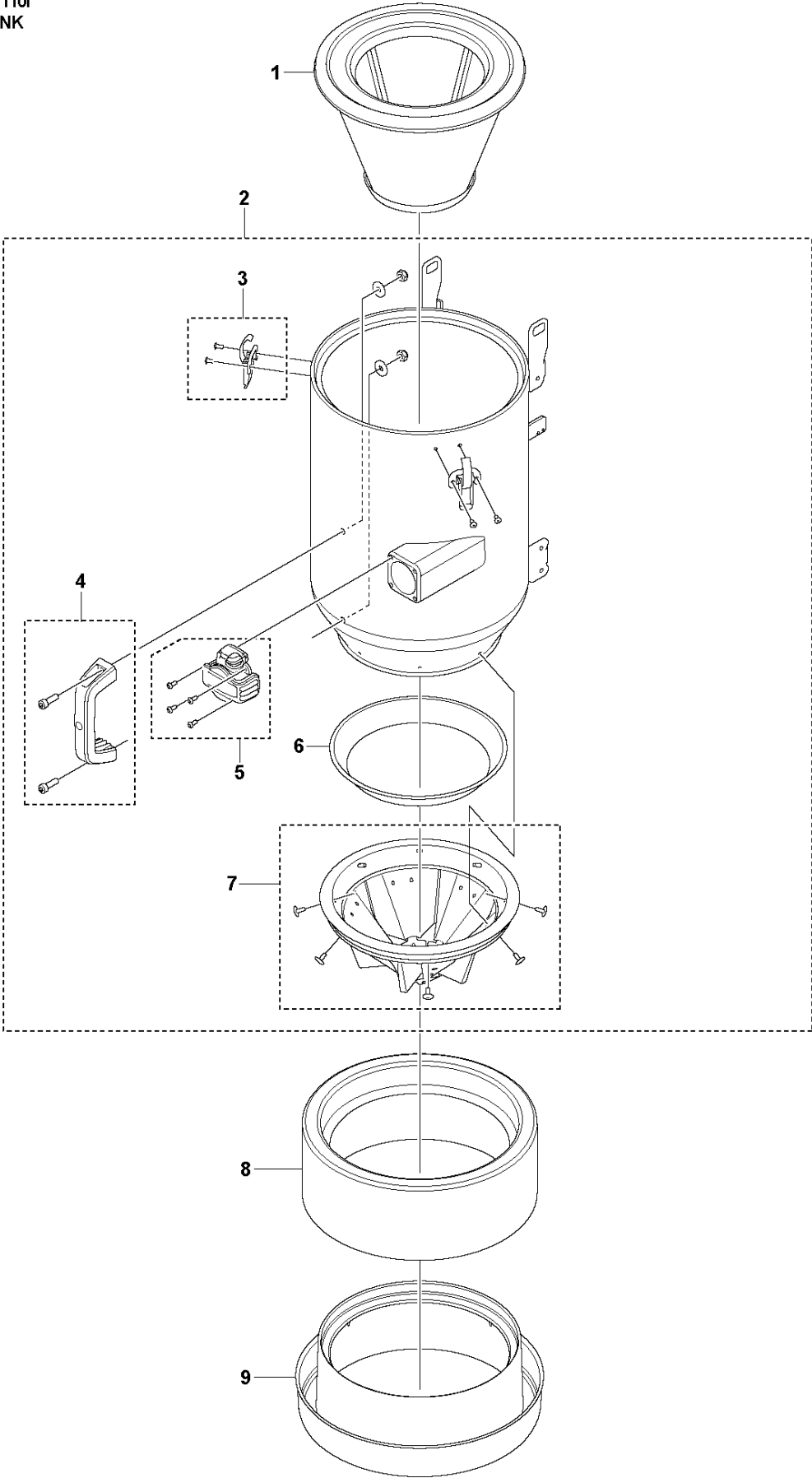


# SPARE PARTS LIST

DUST AND SLURRY MANAGEMENT

DE 110i, 2022-01

**A** DE 110i  
TANK

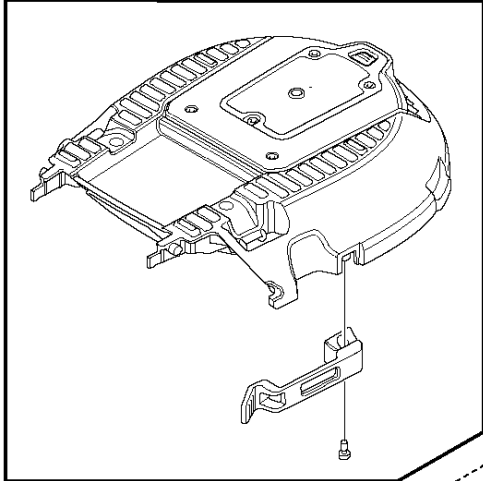


## TANK

DE 110i, 2022-01

| Ref | Part No      | Description  | Remark | QTY | KIT |
|-----|--------------|--------------|--------|-----|-----|
| 1   | 536 37 26-01 | AIR FILTER   |        | 1   |     |
| 2   | 534 11 91-01 | TANK ASSY    |        | 1   | 1   |
| 3   | 534 11 93-01 | BUCKLE       |        | 1   | 1   |
| 4   | 534 11 96-01 | HANDLE       |        | 1   | 1   |
| 5   | 534 12 71-01 | INLET        |        | 1   | 1   |
| 6   | 531 38 49-01 | SUPPORT RING |        | 1   | 1   |
| 7   | 534 12 74-01 | CONE         |        | 1   | 1   |
| 8   | 590 42 92-01 | DUST BAG     |        | 1   |     |
| 9   | 599 15 85-01 | HOLDER       |        | 1   |     |

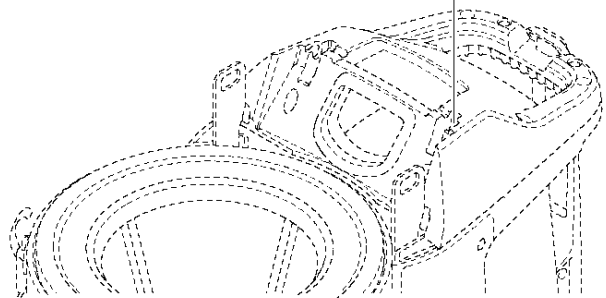
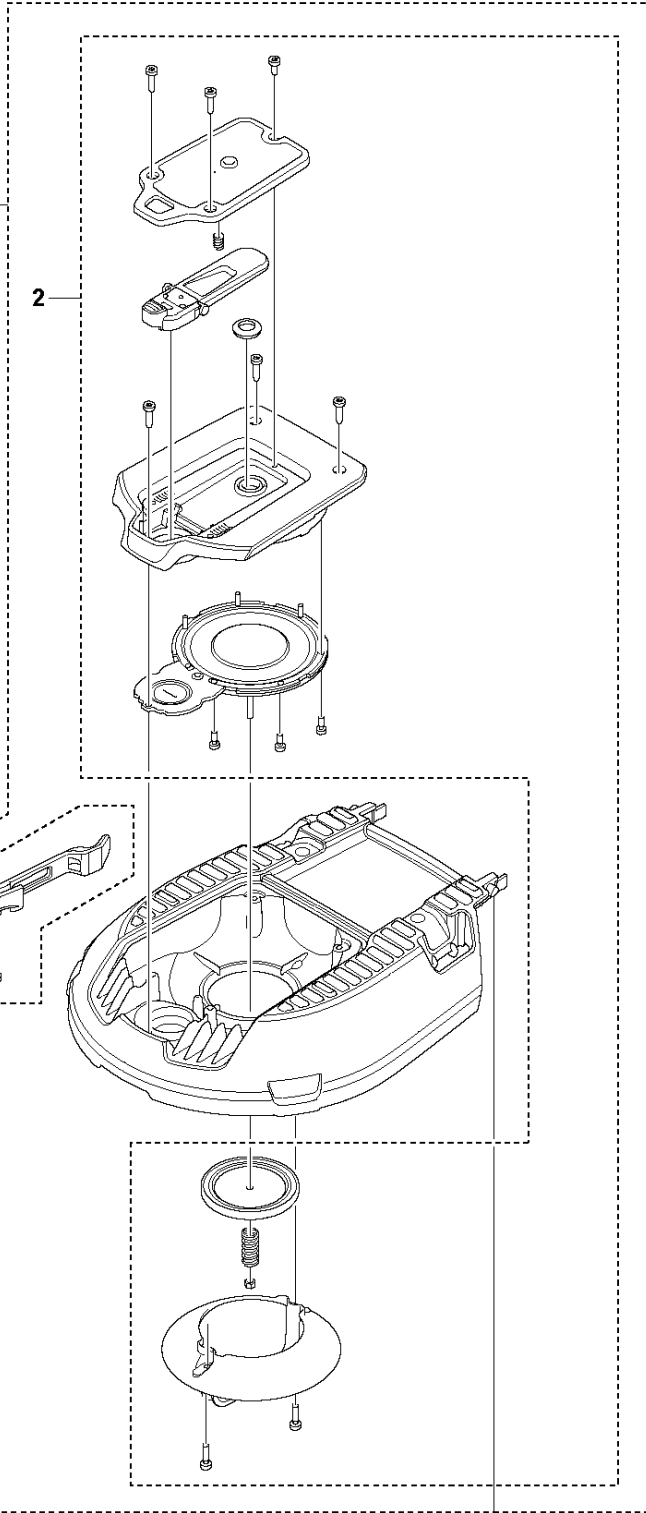
**B** DE 110i  
LID



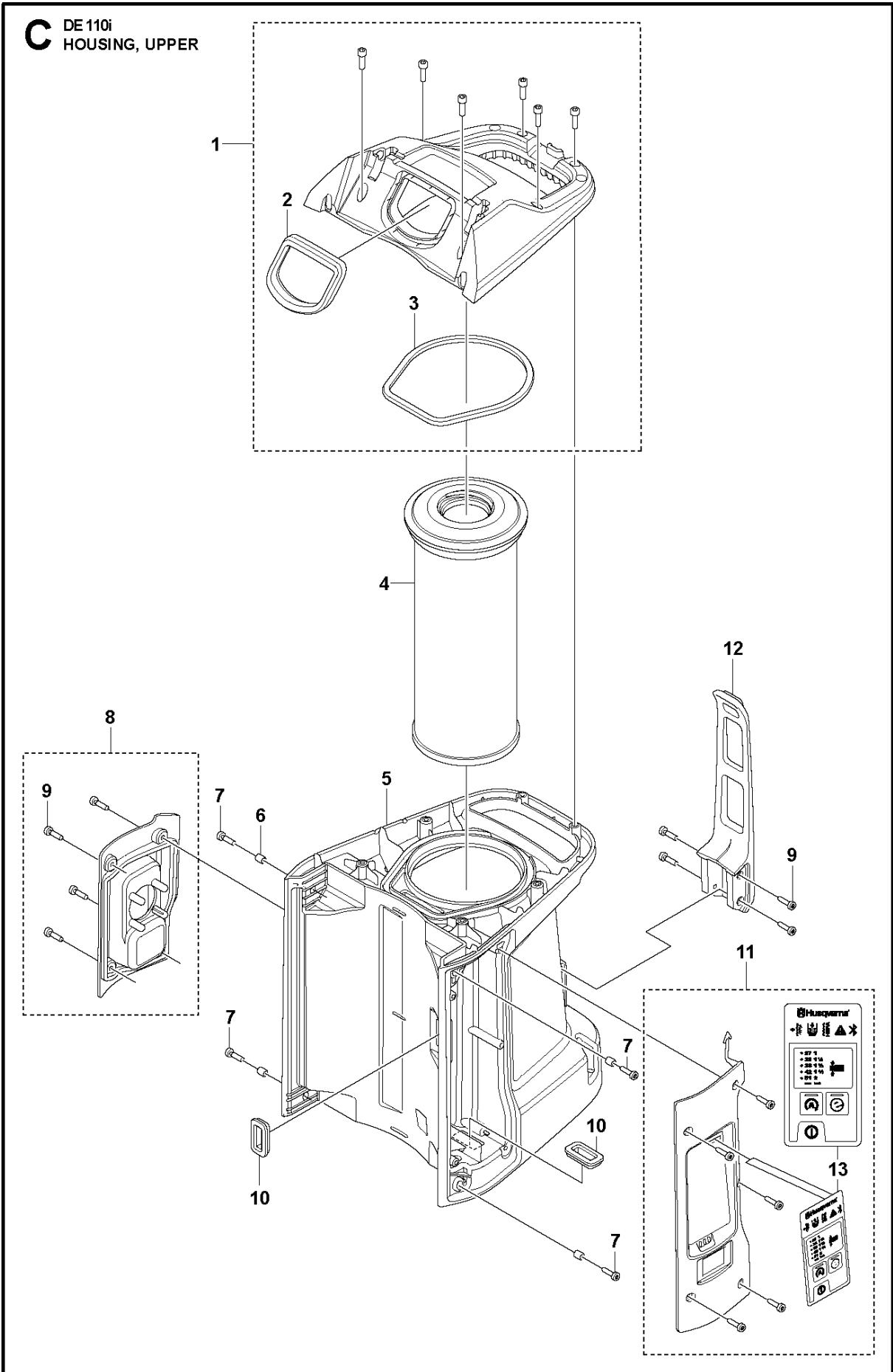
1

2

3

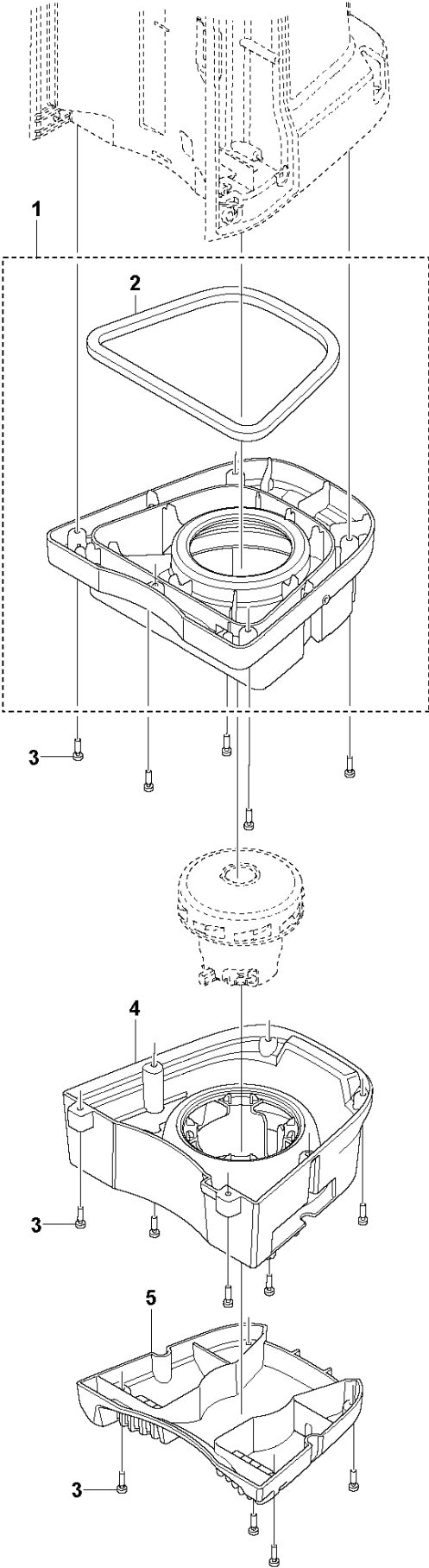


| Ref | Part No      | Description | Remark | QTY KIT |   |
|-----|--------------|-------------|--------|---------|---|
| 1   | 598 92 87-01 | LID ASSY    |        | 1       |   |
| 2   | 534 12 69-01 | LEVER ASSY  |        | 1       | 1 |
| 3   | 534 12 02-01 | STRAP       |        | 1       | 1 |



| Ref | Part No      | Description  | Remark     | QTY KIT |    |
|-----|--------------|--------------|------------|---------|----|
| 1   | 534 13 60-01 | COVER        |            | 1       |    |
| 2   | 598 83 63-01 | SEALING      |            | 1       | 1  |
| 3   | 598 83 64-01 | SEALING      |            | 1       | 1  |
| 4   | 534 12 36-01 | FILTER       |            | 1       |    |
| 5   | 598 92 93-01 | HOUSING      |            | 1       |    |
| 6   | 599 83 84-01 | BUSHING      |            | 1       |    |
| 7   | 544 21 84-20 | SCREW ITXSCM |            | 1       |    |
| 8   | 529 97 47-01 | LID          | EU/AU/BR   | 1       |    |
| 9   | 599 60 83-01 | SCREW ITXSCT | T27 PT5x20 | 19      | 8  |
| 10  | 599 62 41-01 | SEALING      |            | 2       |    |
| 11  | 534 12 72-01 | LID          |            | 1       |    |
| 12  | 599 37 96-01 | STRAP        |            | 1       |    |
| 13  | 599 44 50-02 | KEYPAD       |            | 1       | 11 |

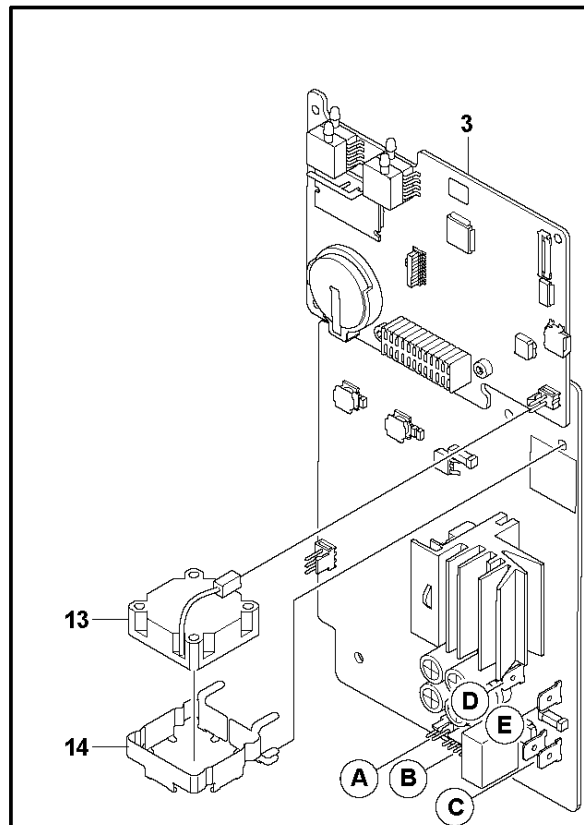
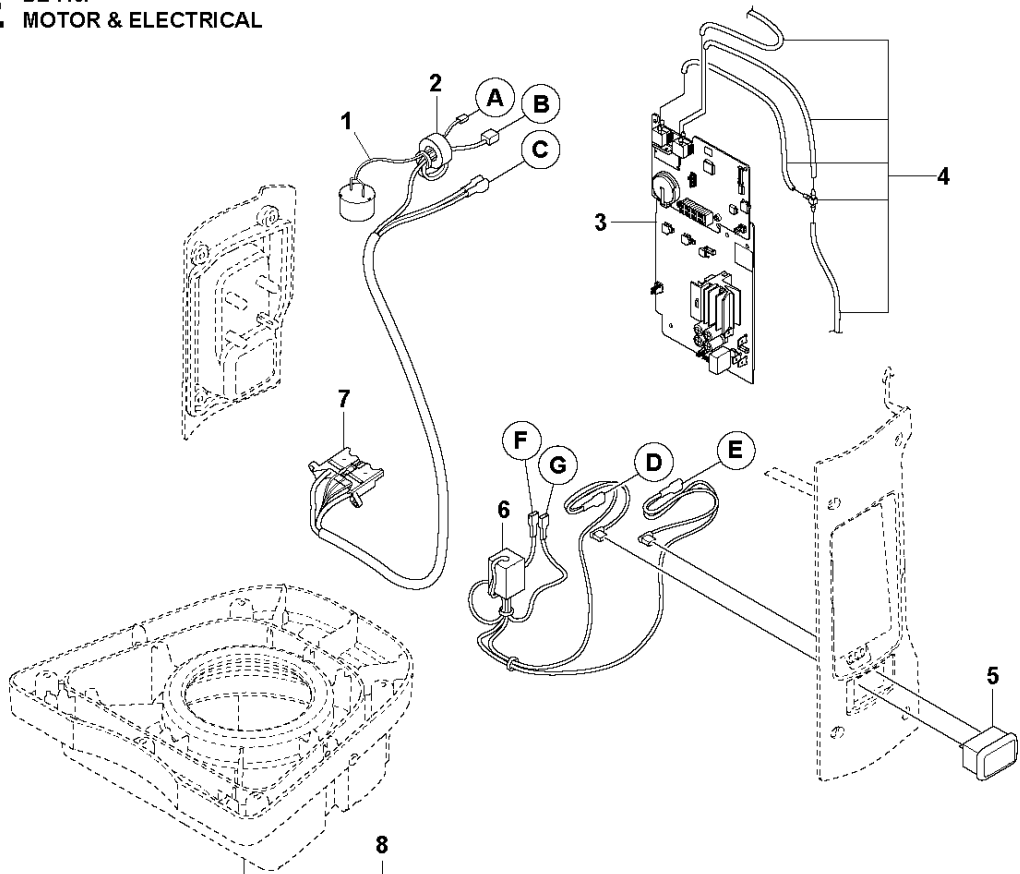
**D** DE 110i  
HOUSING, LOWER





| Ref | Part No      | Description   | Remark     | QTY | KIT |
|-----|--------------|---------------|------------|-----|-----|
| 1   | 534 13 67-01 | COVER         |            | 1   |     |
| 2   | 599 29 89-01 | SEALING       |            | 1   | 1   |
| 3   | 599 60 83-01 | SCREW ITXSCT  | T27 PT5x20 | 13  |     |
| 4   | 598 88 99-01 | MOTOR HOUSING |            | 1   |     |
| 5   | 598 89 00-01 | COVER         |            | 1   |     |

**E** DE 110i  
MOTOR & ELECTRICAL

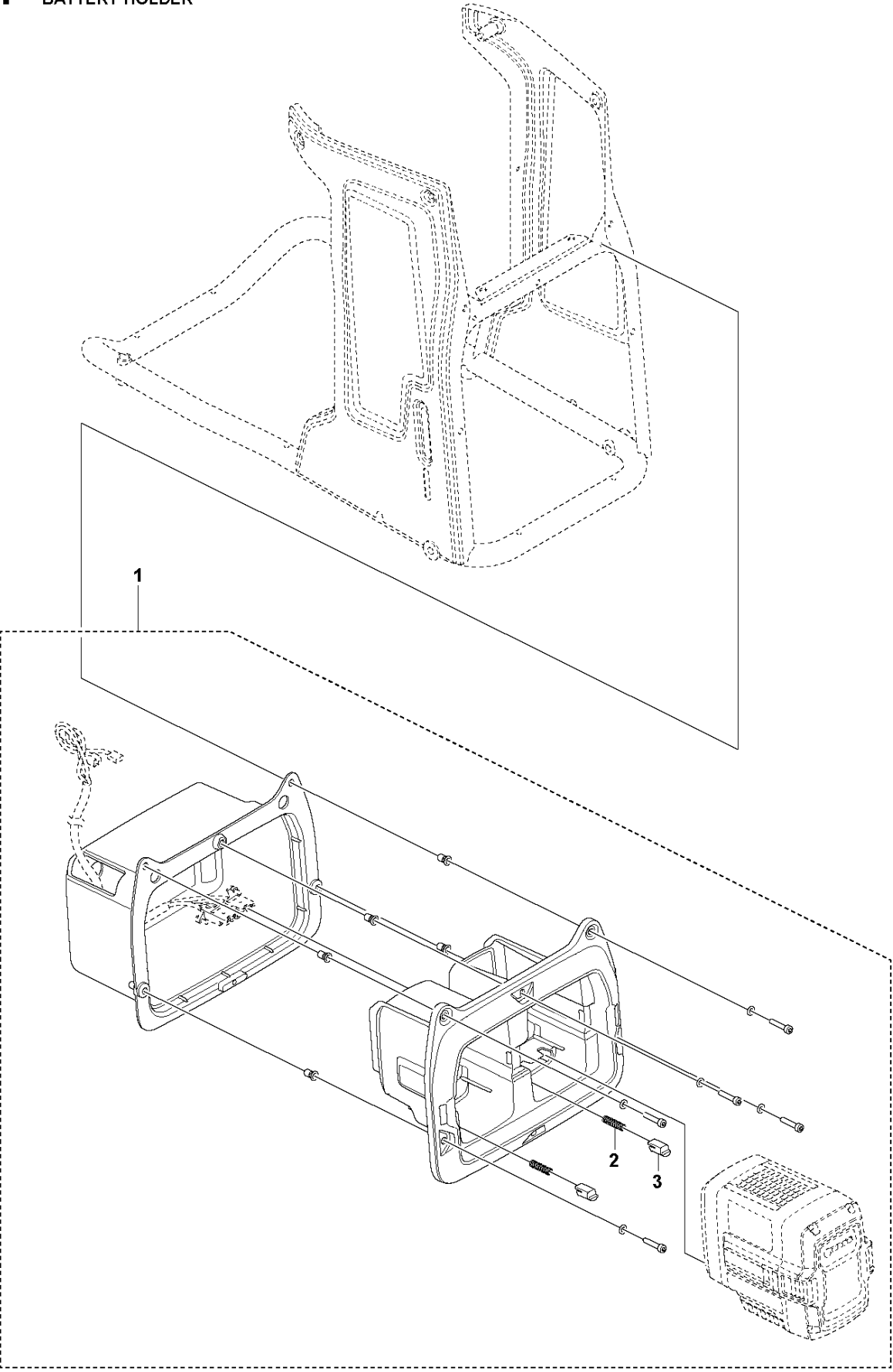


## MOTOR &amp; ELECTRICAL

DE 110i, 2022-01

| Ref | Part No      | Description          | Remark              | QTY | KIT |
|-----|--------------|----------------------|---------------------|-----|-----|
| 0   | 000 00 00-00 | W/O DESCRIPTION      | CR2450X / 3V 600mAh | 1   |     |
| 1   | 599 83 95-01 | BUZZER               |                     | 1   |     |
| 2   | 531 13 15-01 | FERRITE CORE         |                     | 1   |     |
| 3   | 599 81 99-02 | PRINTED CIRCUIT ASSY |                     | 1   |     |
| 4   | 536 47 80-01 | HOSE KIT             |                     | 1   |     |
| 5   | 599 58 92-01 | HOUR METER           |                     | 1   |     |
| 6   | 531 13 14-01 | FERRITE CORE         |                     | 1   |     |
| 7   | 534 98 81-01 | WIRING ASSY          |                     | 1   |     |
| 8   | 536 20 54-01 | MOTOR KIT            |                     | 1   |     |
| 9   | 599 29 88-01 | SEALING RING         |                     | 1   | 8   |
| 10  | 536 50 75-03 | BRUSH KIT            | 36V                 | 1   | 8   |
| 11  | 536 50 75-04 | BRUSH KIT            | 36V                 | 1   | 8   |
| 12  | 599 51 03-01 | SEALING RING         |                     | 1   | 8   |
| 13  | 531 07 00-01 | FAN                  |                     | 1   |     |
| 14  | 531 11 35-01 | BRACKET              |                     | 1   |     |

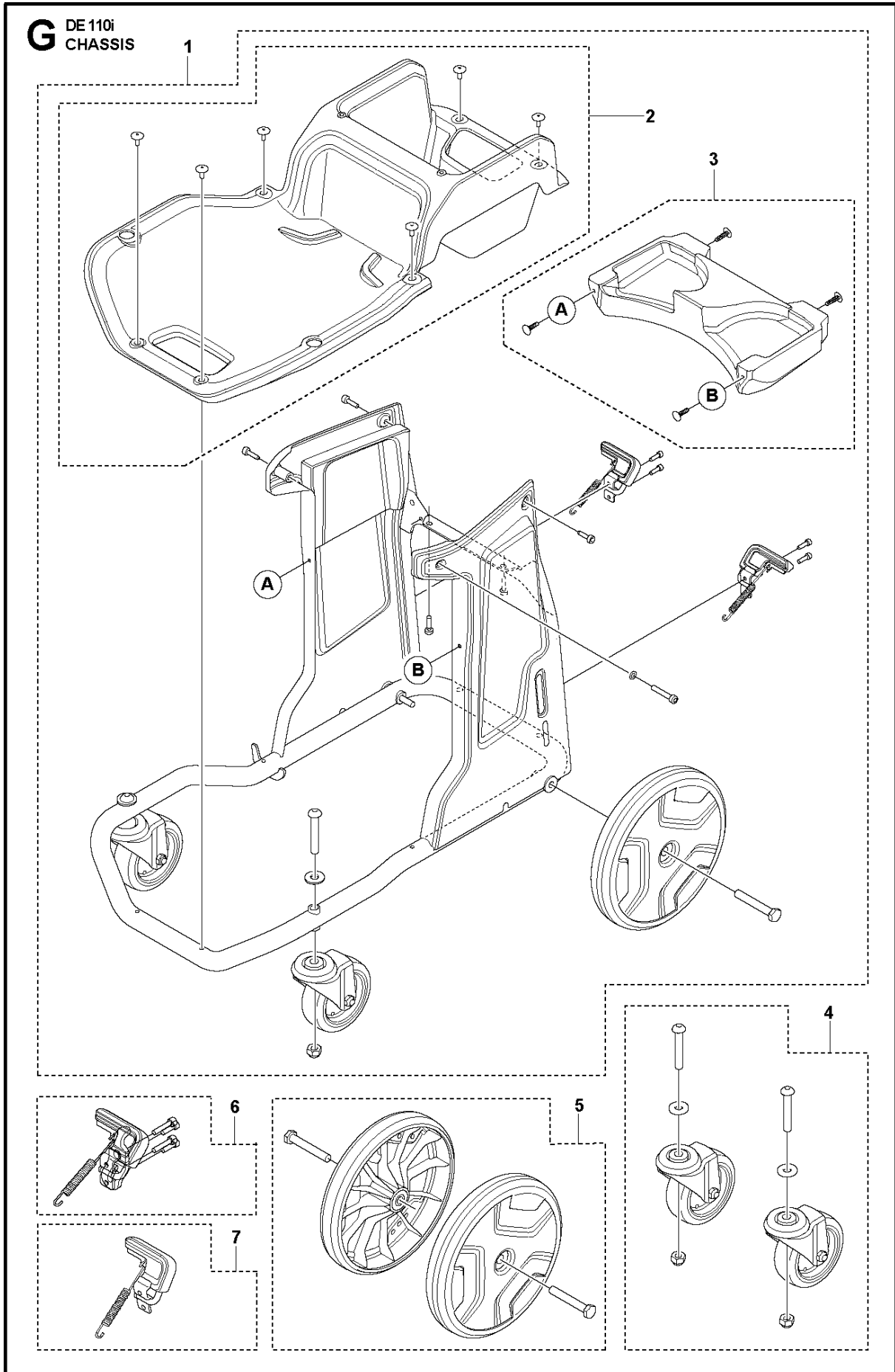
**F** DE 110i  
BATTERY HOLDER



BATTERY HOLDER

DE 110i, 2022-01

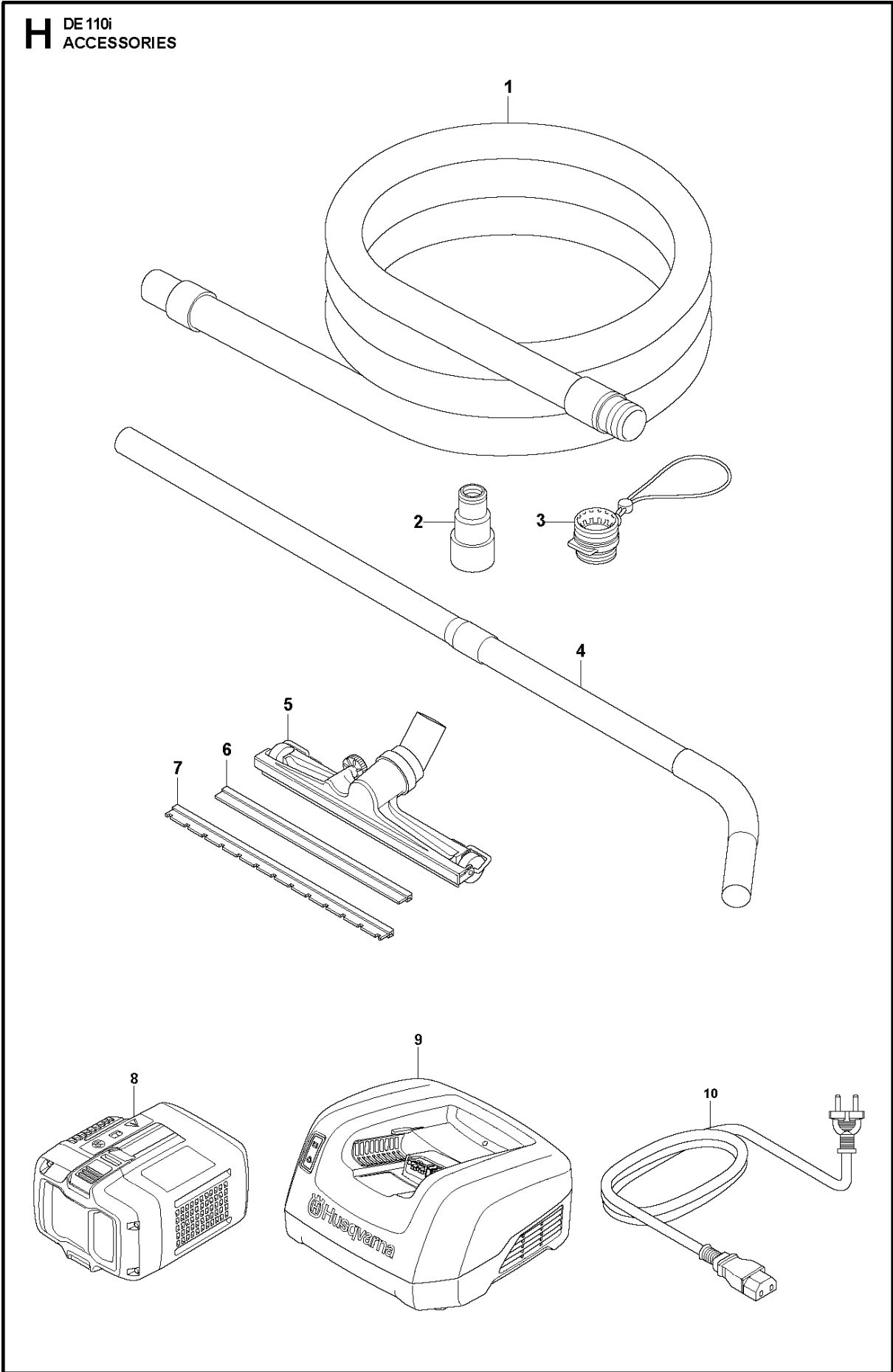
| Ref | Part No      | Description    | Remark | QTY | KIT |
|-----|--------------|----------------|--------|-----|-----|
| 1   | 529 33 50-01 | BATTERY SYSTEM |        | 1   |     |
| 2   | 585 48 00-01 | SPRING         |        | 2   | 1   |
| 3   | 577 99 66-01 | PUSH BUTTON    |        | 2   | 1   |



CHASSIS

DE 110i, 2022-01

| Ref | Part No      | Description | Remark | QTY | KIT |
|-----|--------------|-------------|--------|-----|-----|
| 1   | 599 56 25-01 | FRAME ASSY  |        | 1   |     |
| 2   | 534 12 76-01 | TRAY        |        | 1   | 1   |
| 3   | 534 13 49-01 | DUCT        |        | 1   | 1   |
| 4   | 534 12 51-01 | WHEEL KIT   |        | 1   |     |
| 5   | 534 12 52-01 | REAR WHEEL  | ø220   | 1   |     |
| 6   | 529 74 66-01 | BRAKE ASSY  |        | 2   |     |
| 7   | 535 28 28-01 | BRACKET     |        | 1   |     |



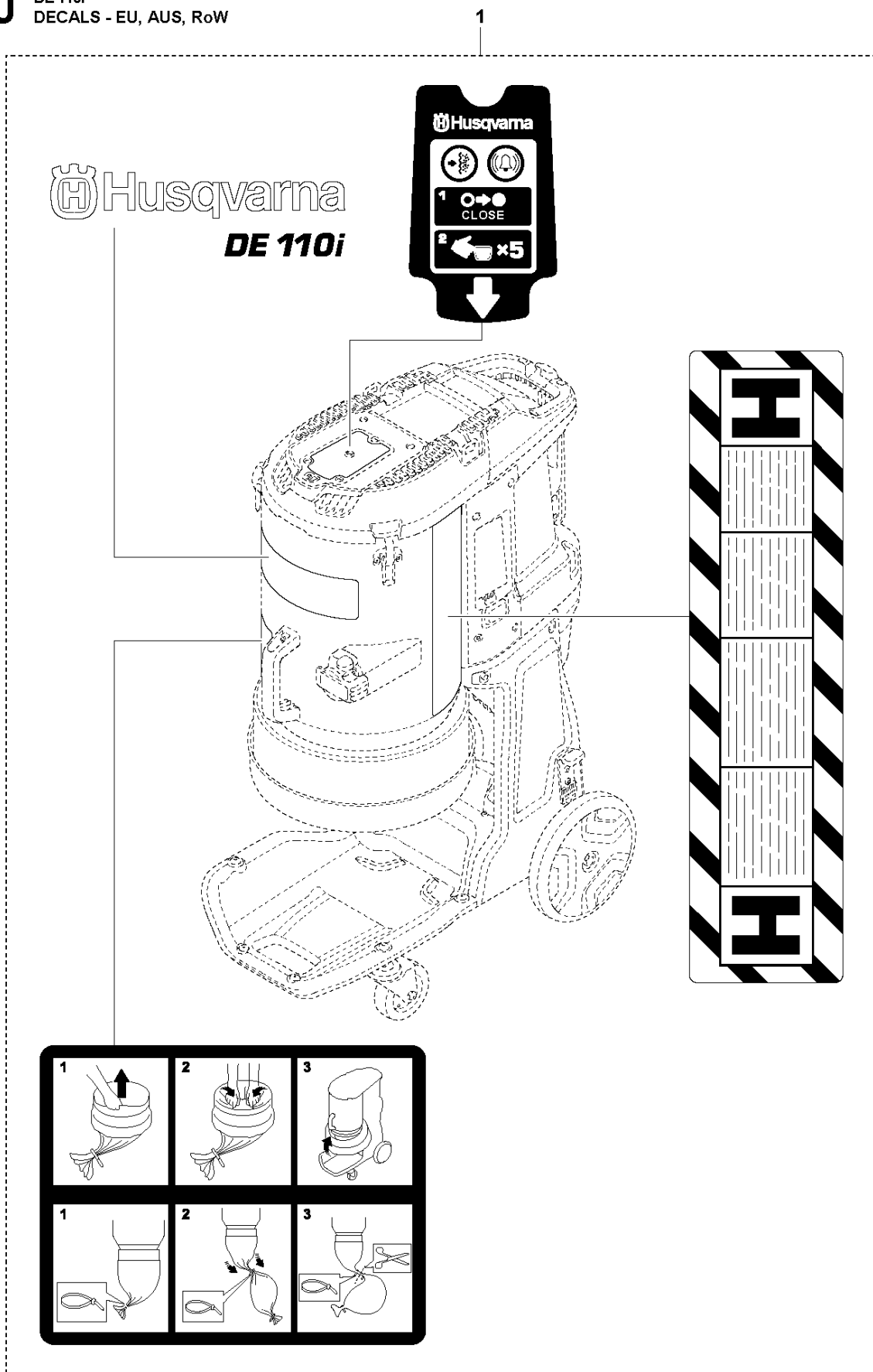


## ACCESSORIES

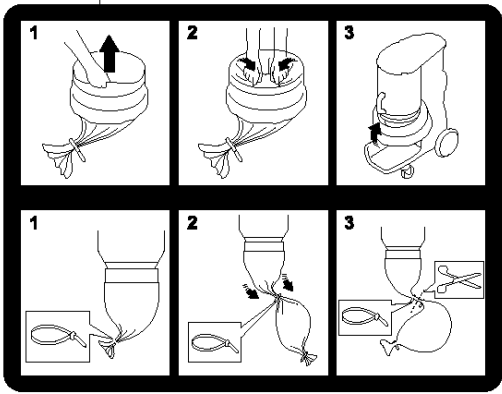
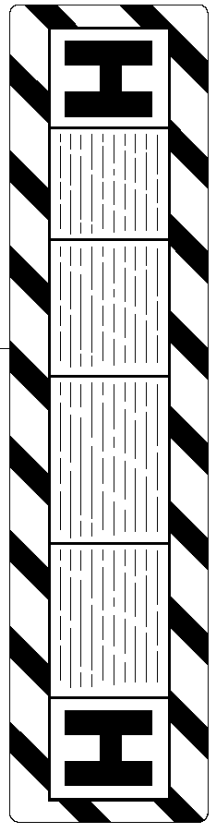
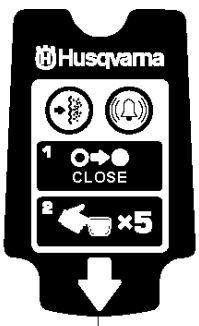
DE 110i, 2022-01

| Ref | Part No      | Description       | Remark                   | QTY KIT |
|-----|--------------|-------------------|--------------------------|---------|
| 1   | 536 35 53-01 | SUCTION HOSE ASSY | 38mm/5m w adapters       | 1       |
| 1   | 536 35 54-01 | SUCTION HOSE ASSY | 38mm/5m w adapters       | 1       |
| 1   | 529 56 94-01 | HOSE              | 38mm/30m w/o adapters    | 1       |
| 1   | 529 45 90-01 | HOSE              | 38mm/30m w/o adapters    | 1       |
| 2   | 536 34 95-01 | ADAPTER           | 38mm Swiveling           | 1       |
| 2   | 536 34 43-01 | ADAPTER           | 38mm Swiveling hose-wand | 1       |
| 2   | 536 34 45-01 | HOSE CONNECTOR    | 38mm hose-machine        | 1       |
| 2   | 594 95 69-01 | ADAPTER           | 38mm                     | 1       |
| 2   | 536 13 44-01 | ADAPTER           | hose/hose connector      | 1       |
| 3   | 531 36 35-01 | CAP ASSY          | 38mm                     | 1       |
| 4   | 536 34 41-01 | WAND              | 38mm                     | 1       |
| 5   | 529 80 50-01 | NOZZLE            | 370mm                    | 1       |
| 6   | 529 80 42-01 | TOOL              | 370mm                    | 2       |
| 7   | 599 59 41-01 | BRUSH KIT         | 370mm                    | 2       |
| 8   | 967 07 19-01 | BATTERY           | Bli 300                  | 1       |
| 8   | 967 09 19-01 | BATTERY           | Bli 200                  | 1       |
| 9   | 970 44 95-01 | BATTERY CHARGER   | QC500 EU                 | 1       |
| 9   | 970 44 95-02 | BATTERY CHARGER   | QC500 UK                 | 1       |
| 9   | 970 44 95-05 | BATTERY CHARGER   | QC500 AU/NZ/ARG          | 1       |
| 9   | 970 44 95-06 | BATTERY CHARGER   | QC500 CH                 | 1       |
| 9   | 967 96 50-03 | BATTERY CHARGER   | QC500 NA                 | 1       |
| 10  | 582 60 74-01 | WIRING ASSY       | EU                       | 1       |
| 10  | 582 60 77-01 | WIRING ASSY       | UK                       | 1       |
| 10  | 581 29 50-01 | MAINS CABLE       | AUS/NZ/ARG               | 1       |
| 10  | 582 63 97-01 | WIRING ASSY       | CH                       | 1       |
| 10  | 579 13 04-01 | CABLE             | NA                       | 1       |

**J** DE 110i  
DECALS - EU, AUS, RoW



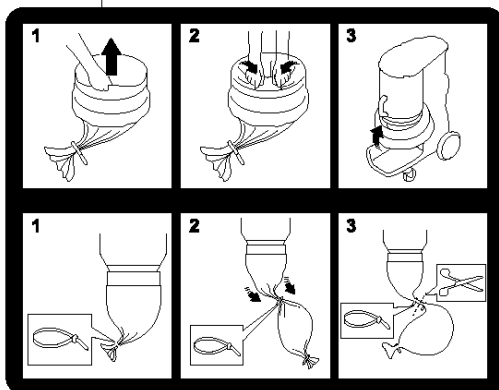
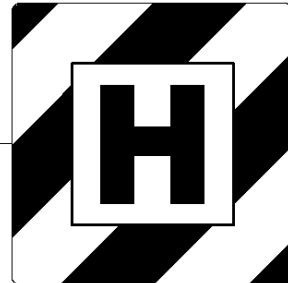
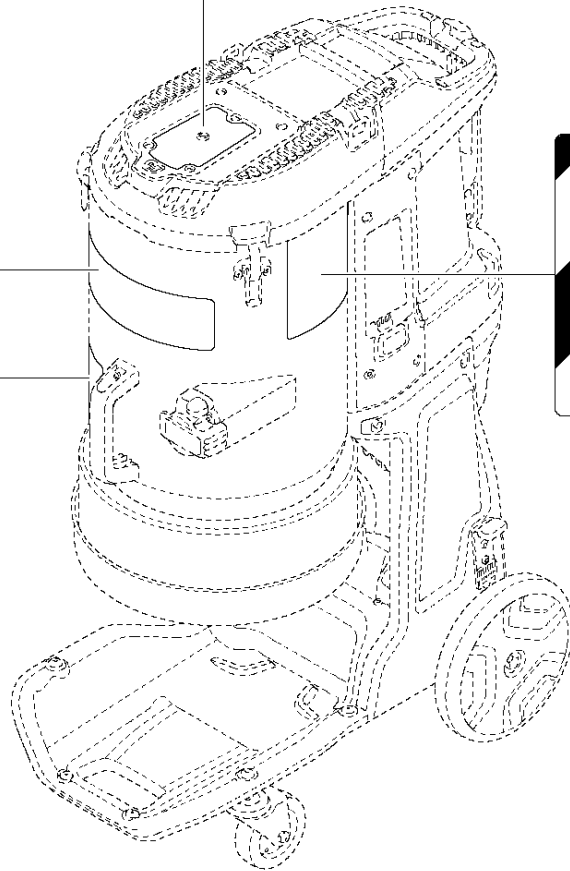
Husqvarna  
**DE 110i**



| Ref | Part No      | Description     | Remark | QTY KIT |
|-----|--------------|-----------------|--------|---------|
| 1   | 000 00 00-00 | W/O DESCRIPTION |        | 1       |

**K** DE 110i  
DECALS - NA

 **Husqvarna**  
**DE 110i**



| Ref | Part No      | Description     | Remark | QTY KIT |
|-----|--------------|-----------------|--------|---------|
| 1   | 000 00 00-00 | W/O DESCRIPTION |        | 1       |