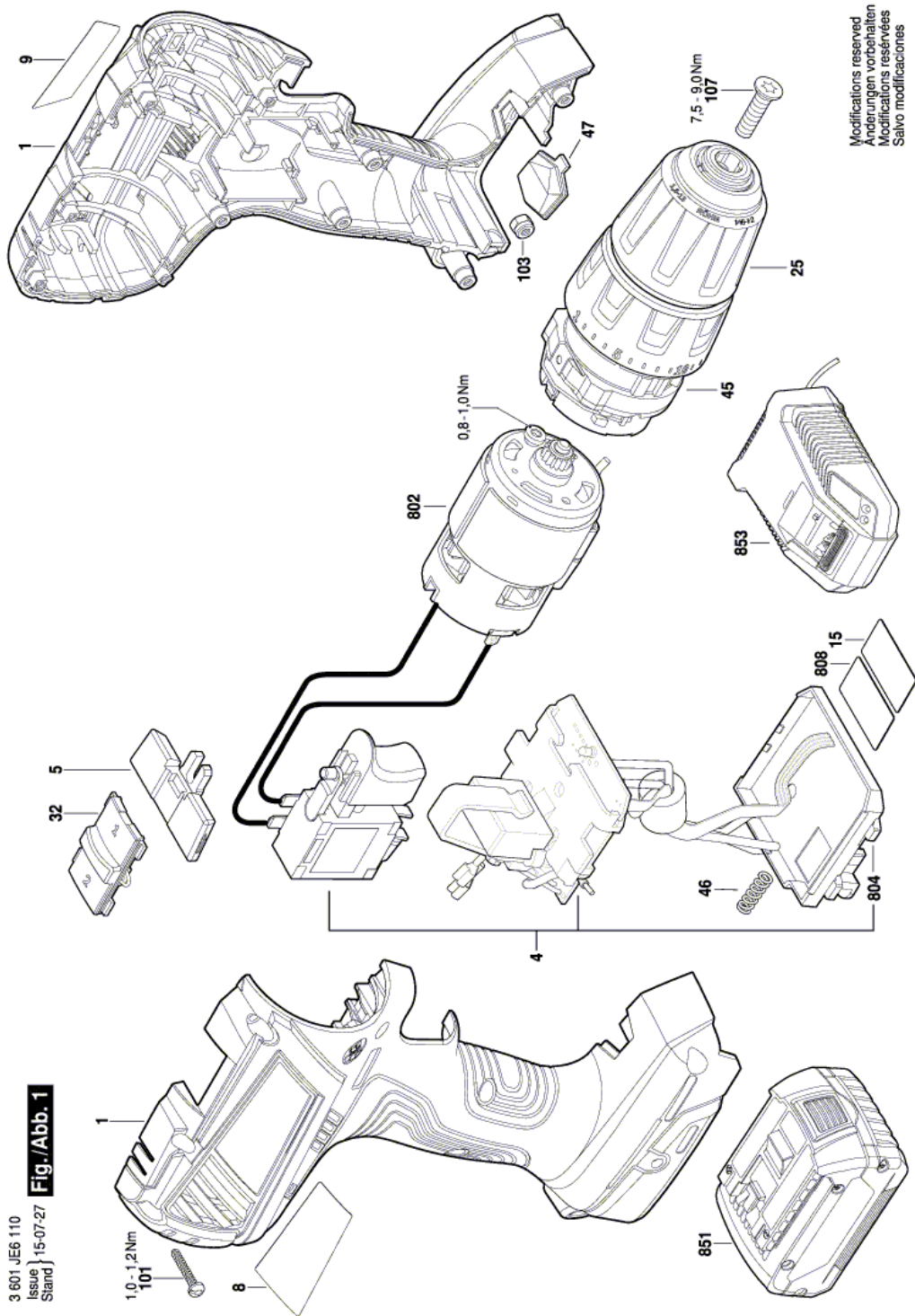


Illustration - Type E



Information subject to change without further notice.

Cordless Screwdriver - 3 601 JE6 110 - DDS181A

www.powertools-aftersaleservice.com



BOSCH

Item	Part Number	Description	Illustration	Price	Quantity	Price Group
1	2 609 101 483	Housing	1	-,-	1	32
4	1 607 233 59P	Electronics Module	1	-,-	1	43
5	2 609 101 484	Adjusting lever	1	-,-	1	10
8	2 609 136 300	Warning Plate	1	-,-	1	13
9	2 609 136 299	Manufacturer's nameplate	1	-,-	1	13
15	2 609 134 293	Warning Label	1	-,-	1	13
25	2 609 111 940	Keyless Chuck	1	-,-	1	33
32	2 609 199 812	Switchover Unit	1	-,-	1	11
45	2 609 199 813	Gear Box	1	-,-	1	35
46	1 609 280 477	Compression Spring	1	-,-	1	11
47	2 609 101 486	Lens	1	-,-	1	10
101	2 609 110 353	Torx Oval-Head Screw	1	-,-	10	10
103	2 609 110 835	Nut	1	-,-	2	10
107	2 603 421 229	Countersunk-Head Screw M6x23	1	-,-	1	11
802	2 609 199 841	DC motor	1	-,-	1	38
804	1 609 280 478	Contact retainer	1	-,-	1	26
808	2 609 136 391	Nameplate	1	-,-	1	13
851	2 607 336 819	Battery Pack BBS MR-XL 18V, 4,0Ah, LI	1	-,-	1	51
851	2 607 336 875	Slide-In Accu Package 18V 2,0 Ah LI	1	-,-	1	49
853	2 607 225 429	Fast Charger USA 120/10,8-18V, 1h	1	-,-	1	41