



BOSCH

Cordless Drill Driver

DDH183 | 3 601 JF1 110

Table of Content

Spare parts list.....	2
Illustration - Type.....	3

Spare parts list

Item	Part Number	Description	Illustration
1	2 609 101 550	Housing	1
3	2 609 170 278	O-Ring	1
4	1 607 233 5AB	Electronics Module	1
4/3	1 607 503 182	Printed-Board Assembly	1
5	2 609 101 551	Adjusting lever	1
8	6 082 942 9X8	Sticker	1
9	1 601 11A 3DV	Manufacturer's nameplate	LITHIUM-ION 1
25	1 600 A01 YE8	Keyless Chuck	1
45	1 600 A00 3BB	Gear Box	1
46	1 609 280 477	Compression Spring	1
47	2 609 101 490	Lens	1
101	2 609 110 353	Torx Oval-Head Screw	1
106	2 609 101 581	Color clip	1
107	2 603 421 229	Countersunk-Head Screw LEFTHAND THREADS	M6x23 1
802	2 609 199 943	Motor Spare Parts Set	1
804	1 609 280 820	Contact retainer	18V 1
808	2 609 137 109	Nameplate	1
857	2 609 101 554	Switch Slide	1
858	2 609 112 036	Switch Spring	1
650	2 609 199 662	Auxiliary Handle	2
651	2 607 336 819	Battery Pack	USA BAT620 18V 4,0Ah 2
651/1/22	2 601 115 537	Sticker	2
653	2 607 225 927	Charger	USA BC 1880 CV 13,3-18V/120V 2

Illustration - Type - E

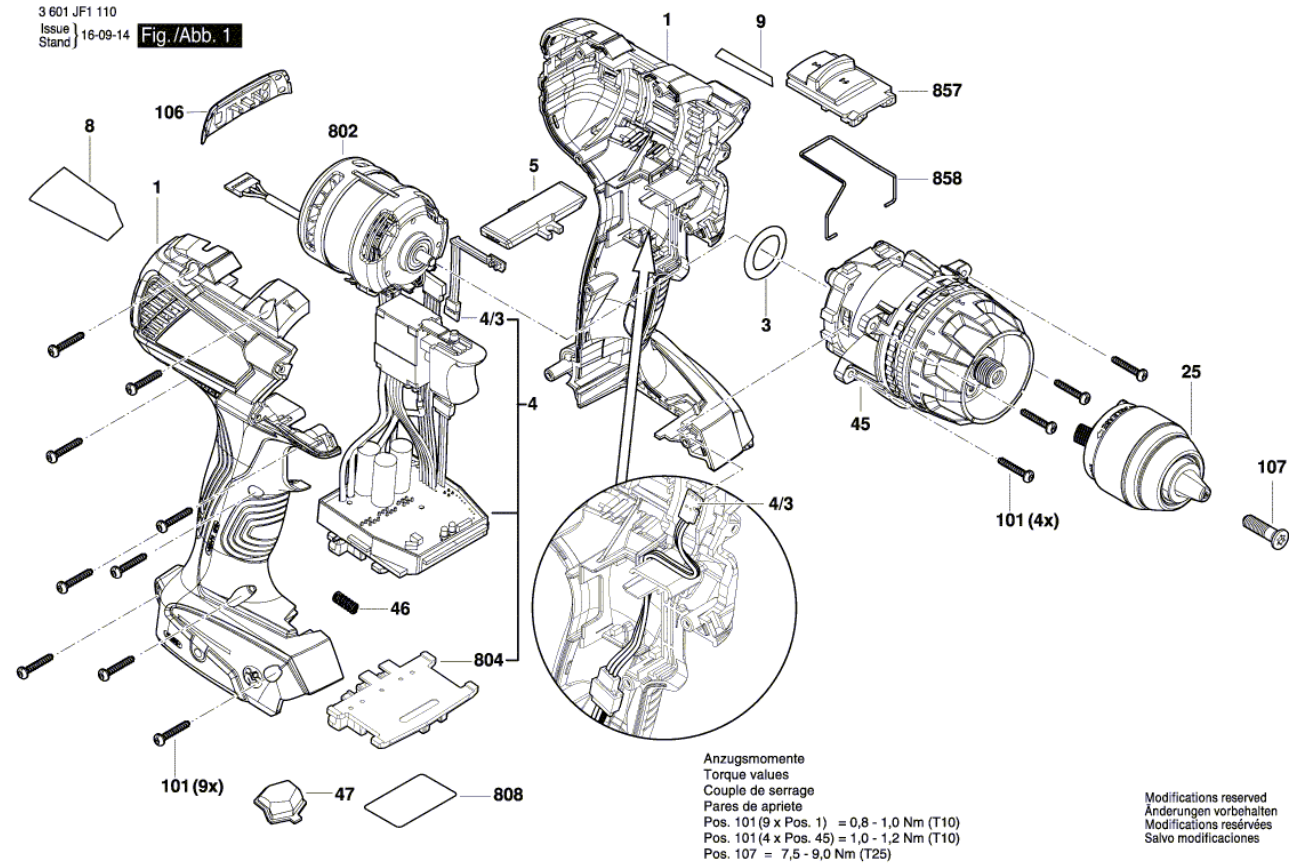
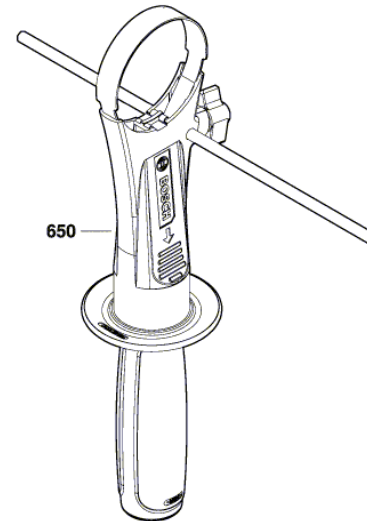
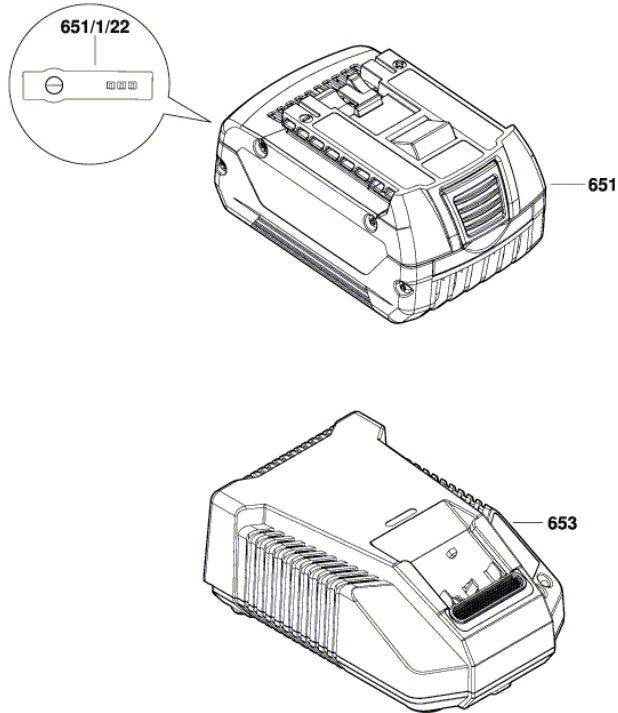


Illustration - Type - E

3 601 JF1 110
Issue |
Stand | 16-09-13 Fig./Abb. 2



Modifications reserved
Änderungen vorbehalten
Modifications réservées
Salvo modificaciones