



**BOSCH**

# Cordless Drill Driver

DDH 181X | 3 601 JD9 110

---

## Table of Content

Spare parts list.....	2
Illustration - Type.....	3

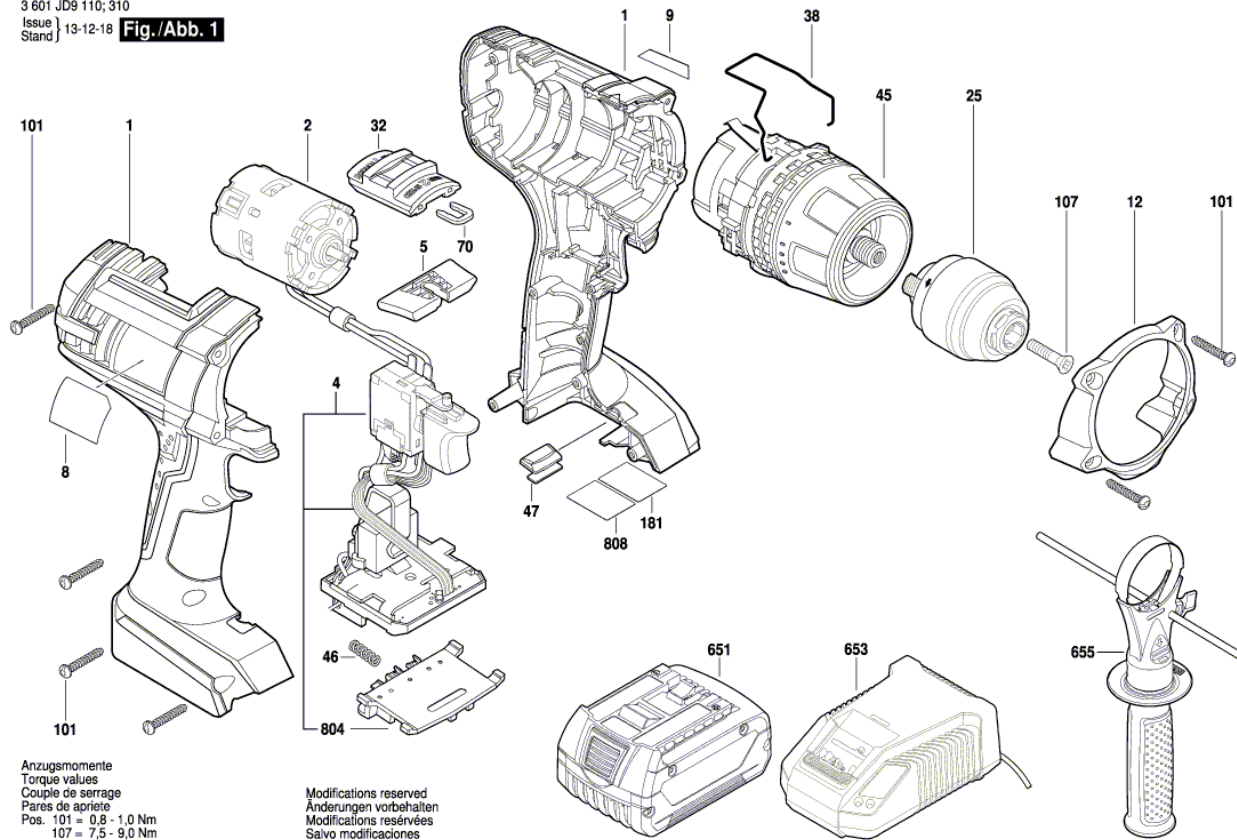
# Cordless Drill Driver | DDH 181X | 3 601 JD9 110

## Spare parts list

Item	Part Number	Description	Illustration
1	2 609 100 874	Housing Section	1
2	1 607 022 609	DC motor 18V	1
4	1 607 233 583	Electronics Module	1
5	2 609 100 877	Adjusting lever	1
8	2 609 133 085	Warning Plate	1
9	2 609 132 940	Nameplate Lithium-ION 18V	1
12	2 609 111 024	Front Cap	1
25	2 609 111 104	Keyless Chuck	1
32	2 609 100 878	Adjusting lever	1
38	2 609 111 021	Switch Spring	1
45	2 609 199 674	Gear Box	1
46	1 609 280 477	Compression Spring	1
47	2 609 101 350	Lens	1
70	2 609 110 537	Clip	1
101	2 609 110 353	Torx Oval-Head Screw	1
107	2 603 421 229	Countersunk-Head Screw M6x23 LEFTHAND THREADS	1
181	2 609 134 887	Reference Plate	1
651	2 607 336 819	Battery Pack USA BAT620 18V 4,0Ah	1
653	2 607 225 927	Charger USA BC 1880 CV 13,3-18V/120V	1
655	2 609 199 662	Auxiliary Handle	1
804	1 609 280 478	Contact retainer	1
808	2 609 134 884	Nameplate	1

Illustration - Type - E

3 601 JD9 110; 310  
 Issue | 13-12-18  
 Stand | **Fig./Abb. 1**



Anzugsmomente  
 Torque values  
 Couple de serrage  
 Pares de apriete  
 Pos. 101 = 0,8 - 1,0 Nm  
 107 = 7,5 - 9,0 Nm

Modifications reserved  
 Änderungen vorbehalten  
 Modifications réservées  
 Salvo modificaciones