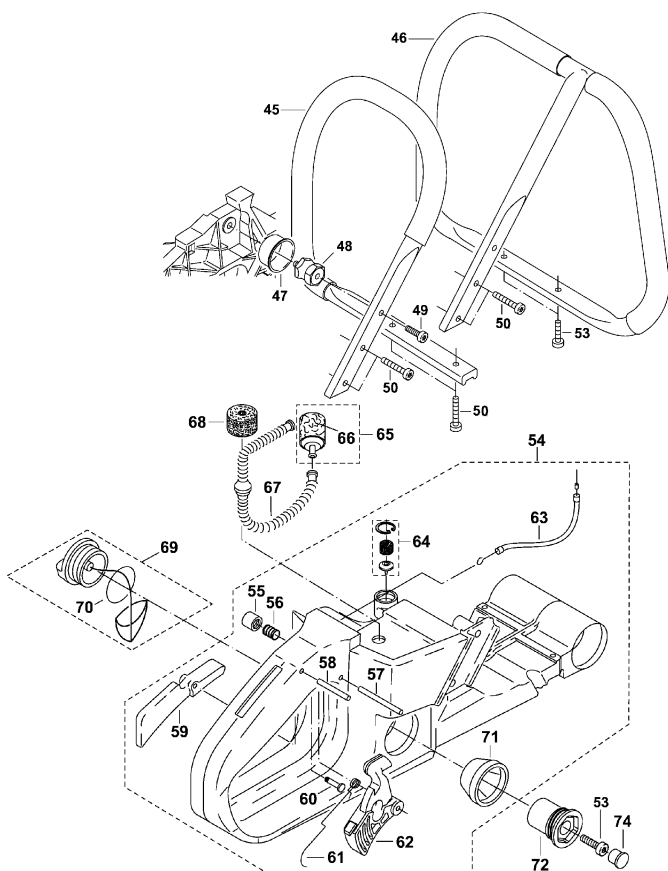


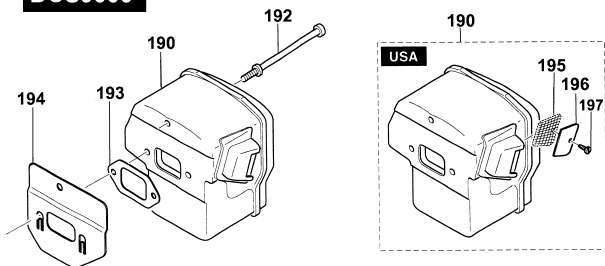
Fuel Tank, Tubular Grip, Rubber Buffer



Item No.	Part No.	No. Used	Description
45	024 310 010	1	Tubular Handle Assy (DCS9000)
	024 310 040	1	Tubular Handle Assy (DCS9010)
46	024 310 100	1	Wrap around Handle Assy
47	965 551 250	1	Pot
48	965 403 430	1	Rubber Buffer
49	908 005 165	1	Fillister Head Screw M5x16
50	913 455 304	6	Fillister Head Screw 5.5x30
53	913 455 204	6	Fillister Head Screw 5.5x20
54	024 114 612	1	Tank Assy (Old 024 114 630)
55	965 451 750	1	Button
56	965 551 160	1	Pressure Spring
57	935 930 450	1	Cylindrical Pin ?3x45
58	935 930 280	1	Cylindrical Pin ?3x28
59	024 117 020	1	Catch Lever
60	965 551 150	1	Stop Pin
61	024 117 031	1	Spring
62	024 117 010	1	Throttle Lever
63	965 725 041	1	Bowden Cable
64	957 114 020	1	Air Valve CPL (Type 1)
	957 114 010	1	Air Valve CPL (Type 2)
65	963 601 120	1	Suction Head (Fuel)(Types 1 & 3) (Old 963 601 130 - Type 2)
66	963 601 240	1	Felt Filter
67	965 404 700	1	Fuel Line
68	965 404 520	1	Gasket
69	965 451 901	1	Tank Plug CPL (Type 2) (Old 965 451 900)
70	963 232 045	1	O Ring ?31X4.5
71	965 404 720	4	Bush
72	965 403 461	4	Rubber Buffer
74	965 404 740	4	Plug

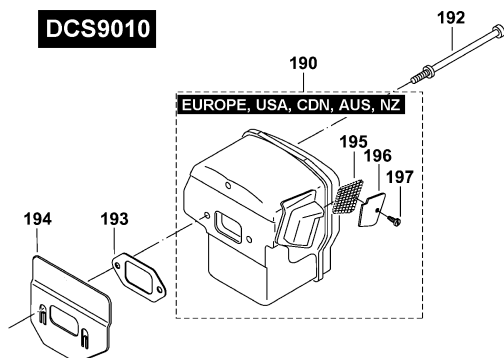
Muffler

DCS9000



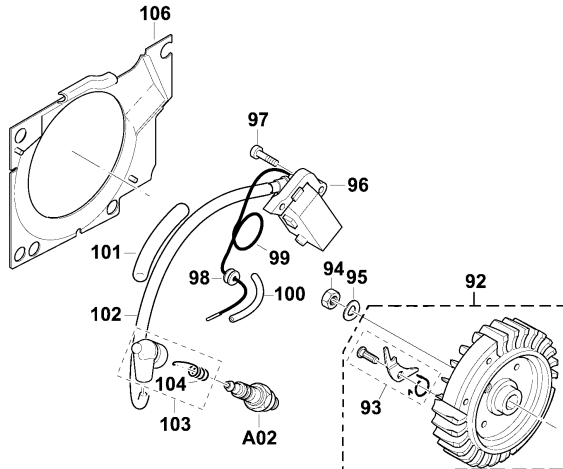
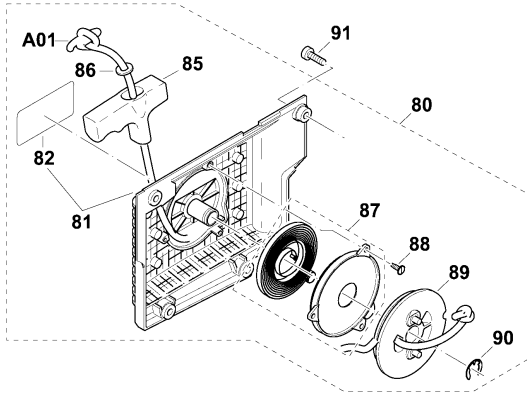
Item No.	Part No.	No. Used	Description
190	024 174 011	1	Muffler Assy (DCS9000)
	024 174 151	1	Muffler Assy (DCS9000) (USA)
	024 174 153	1	Muffler Assy (DCS9010)
192	024 174 020	3	Special Screw M6
193	965 525 101	1	Gasket
194	024 174 040	1	Cover Plate
195	024 174 160	1	Screen
196	024 174 170	1	Deflector Plate (DCS9000)
	024 174 171	1	Deflector Plate (DCS9010)
197	915 142 090	1	Screw 4,2x9,5(Old 915 042 090)

DCS9010



2 Model DCS9000-PH
2 Model DCS9010-PH

Ignition electronics, Flywheel, Starter

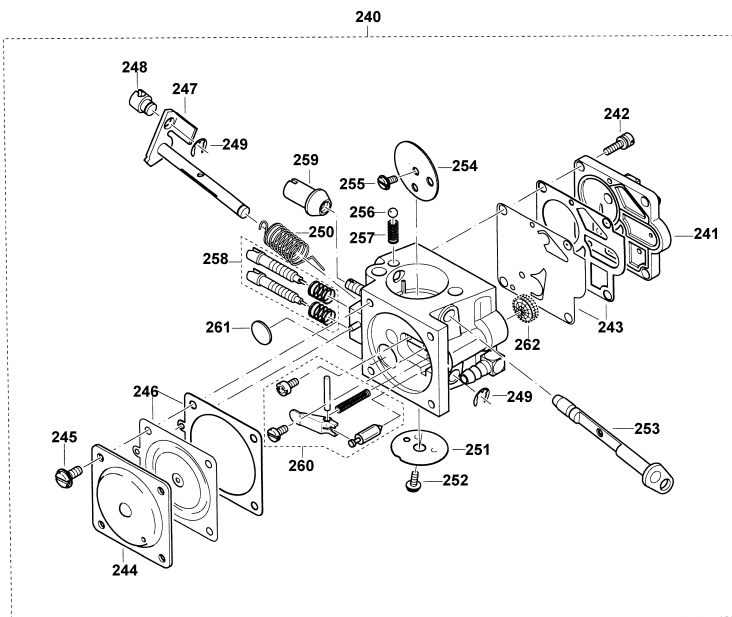


Item No.	Part No.	No. Used	Description
80	024 112 630	1	Starter Assy
81	024 112 680	1	Fan Housing
82	980 114 217	1	Label
85	965 402 262	1	Starter Grip
86	928 405 000	1	Disc
87	020 163 031	1	Rewind Spring CPL
88	915 135 100	3	Screw 3.5x9.5
89	024 162 082	1	Cable Drum (Old 024 162 081)
90	929 314 100	1	Snap Ring
91	908 005 165	4	Fillister Head Screw M5x16
92	024 141 200	1	Flywheel Assy (DCS9000)
	024 141 210	1	Flywheel Assy (DCS9010)
93	031 166 010	2	Starter Ratchet CPL
94	920 208 024	1	Hexagonal Nut M8x1(Old 920 308 024)
95	928 308 001	1	Spring Washer (Type 1)
	926 208 001	1	Spring Washer (Type 2)
96	024 143 020	1	Ignition Coil (DCS9000)
	024 143 051	1	Ignition Coil (DCS9010)(Old 024 143 050)
97	908 605 205	2	Fillister Head Screw M5x20
98	965 401 011	1	Rubber Bush
99	024 147 010	1	Short-Circuit Cable
100	970 502 050	1	Insulating Hose 100mm (Sold by Meter)
101	970 502 110	1	Insulating Hose 100mm (Sold by Meter)
102	970 310 200	1	Ignition Cable 200mm (Sold by Meter)
103	957 604 260	1	Plug Cap CPL
104	965 604 180	1	Spring
106	024 112 021	1	Air Duct

Accessories

A01	122 164 010	1	Starter Rope ?4.0x1M
	SD 4100 5.0	1	Starter Rope 5/32" x 250'
A02	965 603 014	1	Spark Plug

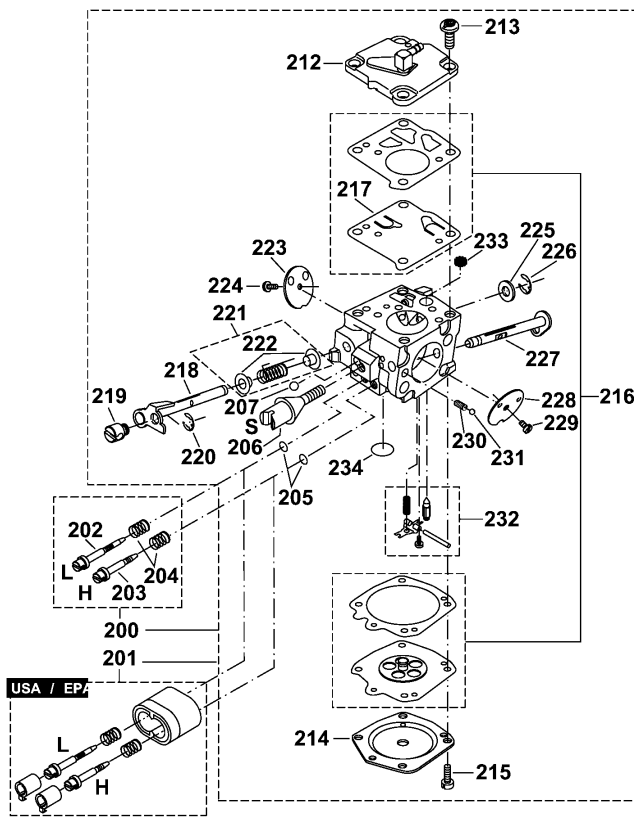
DCS9000 (BING) - Carburetor



Item No.	Part No.	No. Used	Description
240	024 152 011	1	Carburetor BING 49-B (Includes Items 241 - 262)
241	024 152 160	1	Pump Cover
242	114 152 170	4	Screw
243	024 152 910	1	Pump Diaphragm with Gasket
244	024 152 120	1	Diaphragm Cover
245	024 152 140	4	Screw
246	024 152 930	1	Control Diaphragm with Gasket
247	024 152 300	1	Throttle Shaft
248	024 152 500	1	Holder for Bowden Cable
249	114 152 350	2	Safety Washer
250	024 152 310	1	Spring
251	024 152 320	1	Throttle Shutter
252	114 152 370	1	Screw
253	024 152 250	1	Choke Shaft
254	024 152 260	1	Choke Shutter
255	114 152 370	1	Screw
256	114 152 380	1	Ball
257	114 152 080	1	Spring
258	024 152 920	1	Adjustment Screws With Springs
259	024 152 240	1	Adjustment Nut
260	024 152 900	1	Set of Control Parts CPL
261	024 152 040	1	Cover Disc
262	024 152 180	1	Screen

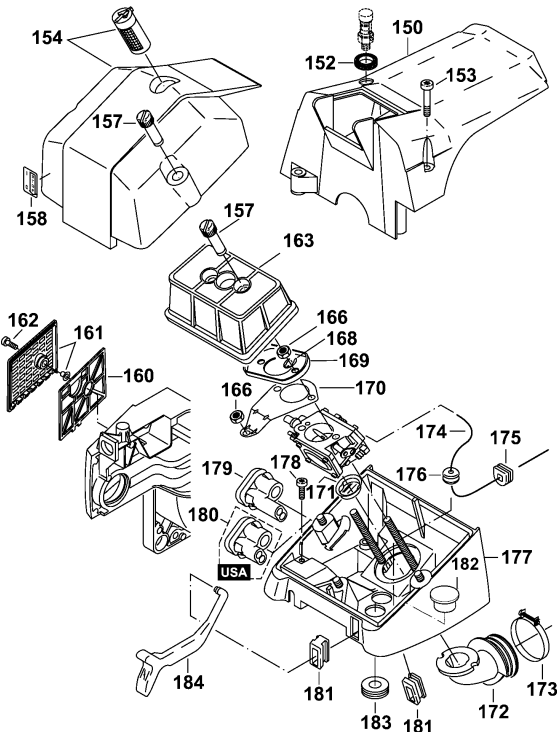
3 Model DCS9000-PH
3 Model DCS9010-PH

DCS9010 (TILLOTSON) - Carburetor



Item No.	Part No.	No. Used	Description
200	024 150 010	1	Carburetor TILLOTSON HS-294 A (Includes Items 202 - 207 & 212 - 234)
201	024 150 030	1	Carburetor HS-295 A (LC)(Includes Items 202 - 207 & 212 - 234)
202	024 150 470	1	Idle Adjustment Screw (L)
203	024 150 510	1	Main Adjustment Screw (H)
204	144 151 480	2	Spring
205	394 150 500	2	Packing Ring
206	394 150 570	1	Idle Stop Screw (S) (HS-294 A)
	024 150 570	1	Idle Stop Screw (S) (HS-295 A)
207	001 150 510	1	Locking Ball
212	024 150 160	1	Pump Cover CPL
213	394 150 170	4	Screw
214	122 151 121	1	Diaphragm Cover
215	001 150 520	4	Screw
216	957 150 100	1	Set Diaphragm with Gasket
217	113 150 150	1	Pump Diaphragm, Rubber
218	024 150 300	1	Throttle Shaft
219	024 150 100	1	Holder for Bowden Cable
220	024 150 110	1	Safety Washer
221	957 150 110	1	Spring CPL (Old 001 150 310)
222	144 151 315	2	Bushing
223	024 150 320	1	Throttle Shutter
224	001 150 650	1	Screw
225	122 151 400	1	Disc
226	100 150 350	1	Safety Washer
227	024 150 250	1	Choke Shaft
228	113 150 261	1	Choke Shutter
229	001 150 650	1	Screw
230	101 150 080	1	Locking Spring
231	113 150 380	1	Locking Ball
232	957 150 190	1	Set of Control Parts
233	394 150 180	1	Screen
234	113 150 040	1	Cover Disc

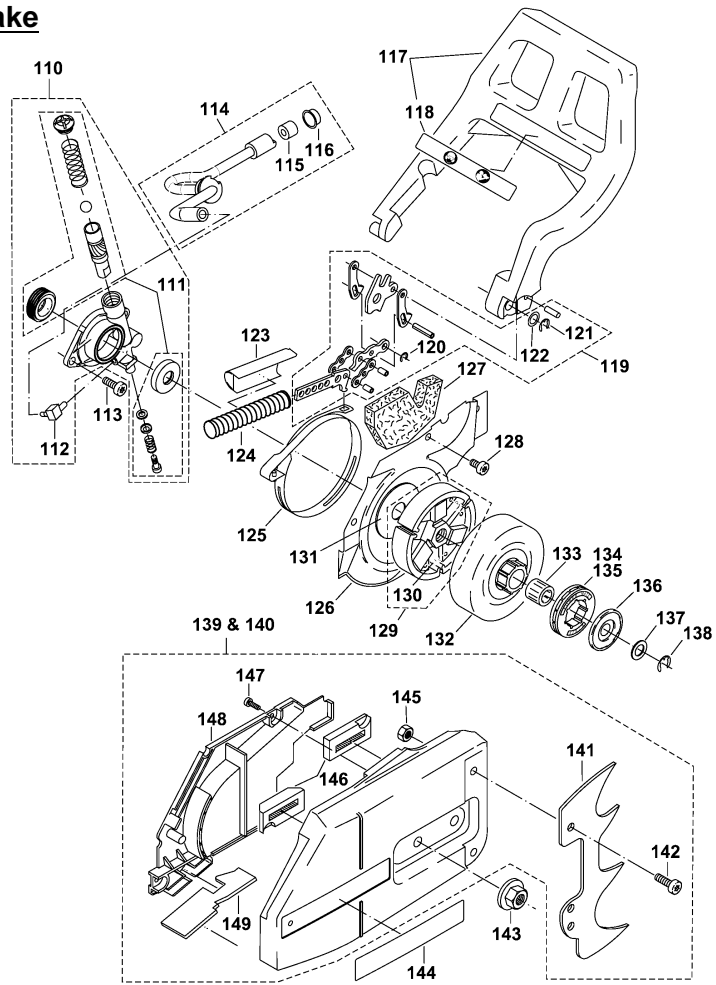
Hood, Air Filter



Item No.	Part No.	No. Used	Description
150	024 118 121	1	Hood
152	030 404 460	1	Gasket (For Deco)
153	908 305 255	3	Fillister Head Screw M5x10x25
154	024 118 111	1	Cover Assy
157	024 173 200	4	Nut
158	980 113 841	1	Label
160	024 173 081	1	Pre-Filter
161	024 173 610	1	Cover for Pre-Filter
162	908 605 145	1	Fillister Head Screw M5x14 (Type 2)
163	024 173 230	1	Air Filter CPL (Robkoflok)
	024 173 190	1	Air Filter CPL (Nylon)
166	920 205 000	3	Hexagonal Nut M5
168	928 105 000	2	Safety Washer
169	024 173 160	1	Holder for Air Filter
170	024 150 170	1	Sheet-Metal Holder
171	024 131 031	1	Insert for Suction Hose
172	024 131 021	1	Suction Hose (Type 1)
	024 131 022	1	Suction Hose (Type 2)
173	965 603 050	1	Clamp
174	965 452 060	1	Ventilations Line 160mm (Sold by Meter)
175	965 401 016	1	Rubber Bush
176	965 401 011	1	Rubber Bush
177	024 118 032	1	Bottom CPL (Old 024 118 090)
178	908 005 165	4	Fillister Head Screw M5x16
179	024 118 051	1	Adjusting Guide (Standard Carburetor)
180	024 118 160	1	Adjusting Guide (Limiter Cap Version) (DCS9010)
181	965 401 021	2	Rubber Bush
182	965 451 495	1	Plug (Old) (DCS9000)
183	965 401 024	1	Rubber Bush
184	024 150 020	1	Choke Shaft

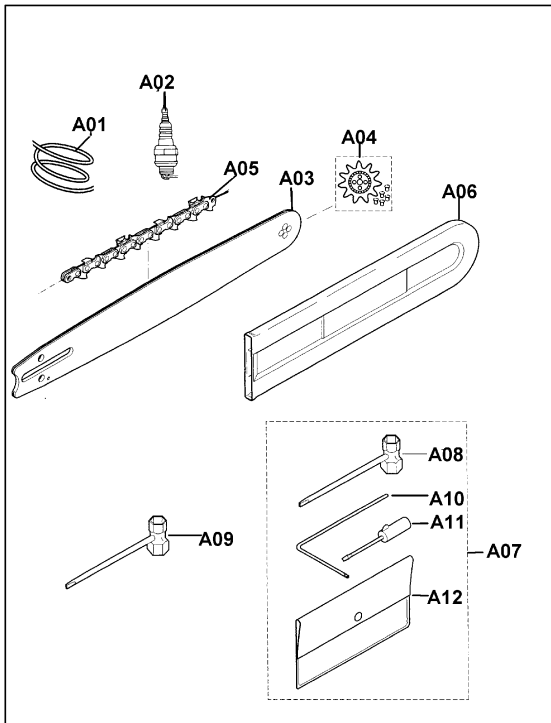
4 Model DCS9000-PH
4 Model DCS9010-PH

Oil Pump. Clutch, Chain Brake



Item No.	Part No.	No. Used	Description	Item No.	Part No.	No. Used	Description
110	024 245 100	1	Oil Pump Assy	134	031 224 010	1	Rim Sprocket 3/8", Z=8(DCS9000)
111	957 245 360	1	Repair Kit	119	224 070	1	Rim Sprocket 3/8". Z=7 (DCS9010)
112	963 608 100	1	Angular Nipple	135	133 224 010	1	Rim Sprocket .404", Z=7
113	908 005 125	2	Fillister Head Screw M5x12	136	001 224 011	1	Disc
114	024 245 200	1	Oil Suction Line Assy	137	021 224 010	1	Disc
115	900 005 066	1	Distance Ring	138	927 308 000	1	Safety Washer
116	963 601 100	1	Screen	139	024 213 680	1	Sprocket Guard CPL (Old 024 213 650)
117	024 213 180	1	Hand Protection CPL	140	024 213 690	1	Sprocket Guard CPL (F/Husqvarna Guide Bar)
118	980 114 237	1	Label	141	024 250 030	1	Spike Bar
119	024 213 500	1	Braking Mechanism (Type 1)	142	908 006 145	2	Fillister Head Screw M6x14
	010 213 021	1	Braking Mechanism (Type 2)	143	001 213 150	2	Hexagonal Nut M8 (Type 1)
120	927 304 000	1	Safety Washer	923 208 004	2	Hexagonal Nut M8 (Type 2)	
121	927 306 000	1	Safety Washer	144	980 114 183	1	Label (DCS9000)
122	900 004 364	1	Spacer	980 114 739	1	Label (DCS9010)	
123	024 111 061	1	Spring Guiding Head	145	922 606 000	2	Hexagonal Nut M6
124	024 213 321	1	Pressure Spring	146	024 213 240	2	Chain Guide
125	024 213 351	1	Brake Spring	147	915 635 100	3	Screw 3.5X9.5 (Type 1)
126	024 213 101	1	Plate	915 135 100	3	Screw 3.5X9.5(Type 2)	
127	965 404 800	1	Cover Foam Plate	148	024 213 221	1	Chip Guide
128	908 005 125	4	Fillister Head Screw M5x12	149	965 404 760	1	Rubber Plate (Type 1)
129	010 180 110	1	Clutch Assy	965 404 761	1	Rubber Plate (Type 2)	
130	024 184 021	3	Tension Spring				
131	001 182 041	1	Guide Disc (Old 024 182 060)				
132	024 223 041	1	Clutch Drum				
133	962 210 024	1	Needle Cage				

Accessories



Item No.	Part No.	No. Used	Description
Accessories			
A01	122 164 010	1	Starter Rope ? 4x1M
	SD 4100 5.0	1	Starter Rope 5/32" x 250'
A02	965 603 014	1	Spark Plug
A03	445 045 652	1	18" Sprocket Nose Bar 3/8", 58G
	412 310 600	1	20" Sprocket Nose Bar 3/8", 58G
	208SLHD005	1	20" Pro-Lite Bar 3/8", 58G
	445 050 652	1	20" Sprocket Nose Bar 3/8", 58G
	412 312 600	1	24" Sprocket Nose Bar 3/8", 58G
	415 060 652	1	24" Sprocket Nose Bar 3/8", 58G
	445 060 652	1	24" Sprocket Nose Bar 3/8", 58G
	268RNDD009	1	26" Sprocket Nose Bar 3/8", 58G
	445 070 652	1	28" Sprocket Nose Bar 3/8", 58G
A04	412 308 700	1	Sprocket Nose CPL 3/8", 58G
A05	523 099 068	1	3/8" Chisel Chain 58 Gauge 18"
	523 099 064	1	3/8" Chisel Chain 58 Gauge 18"
	523 099 072	1	3/8" Chisel Chain 58 Gauge 20"
	523 099 080	1	3/8" Chisel Chain 58 Gauge 24"
	523 099 084	1	3/8" Chisel Chain 58 Gauge 24"
	523 099 092	1	3/8" Chisel Chain 58 Gauge 28"
A06	952 100 643	1	Chain Protection 15" - 18"
	952 100 653	1	Chain Protection 20" - 24"
	952 100 171	1	Chain Protection 25" - 33"
A07	957 004 002	1	Tool CPL
A08	941 719 131	1	Universal Wrench 19/13
A09	941 719 171	1	Universal Wrench 19/17
A10	940 827 000	1	Torx Wrench
A11	944 340 001	1	Screwdriver
A12	950 004 002	1	Plastic Bag (Old 950 004 001)