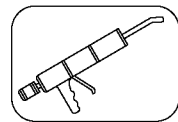


871

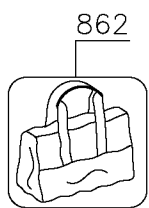


867

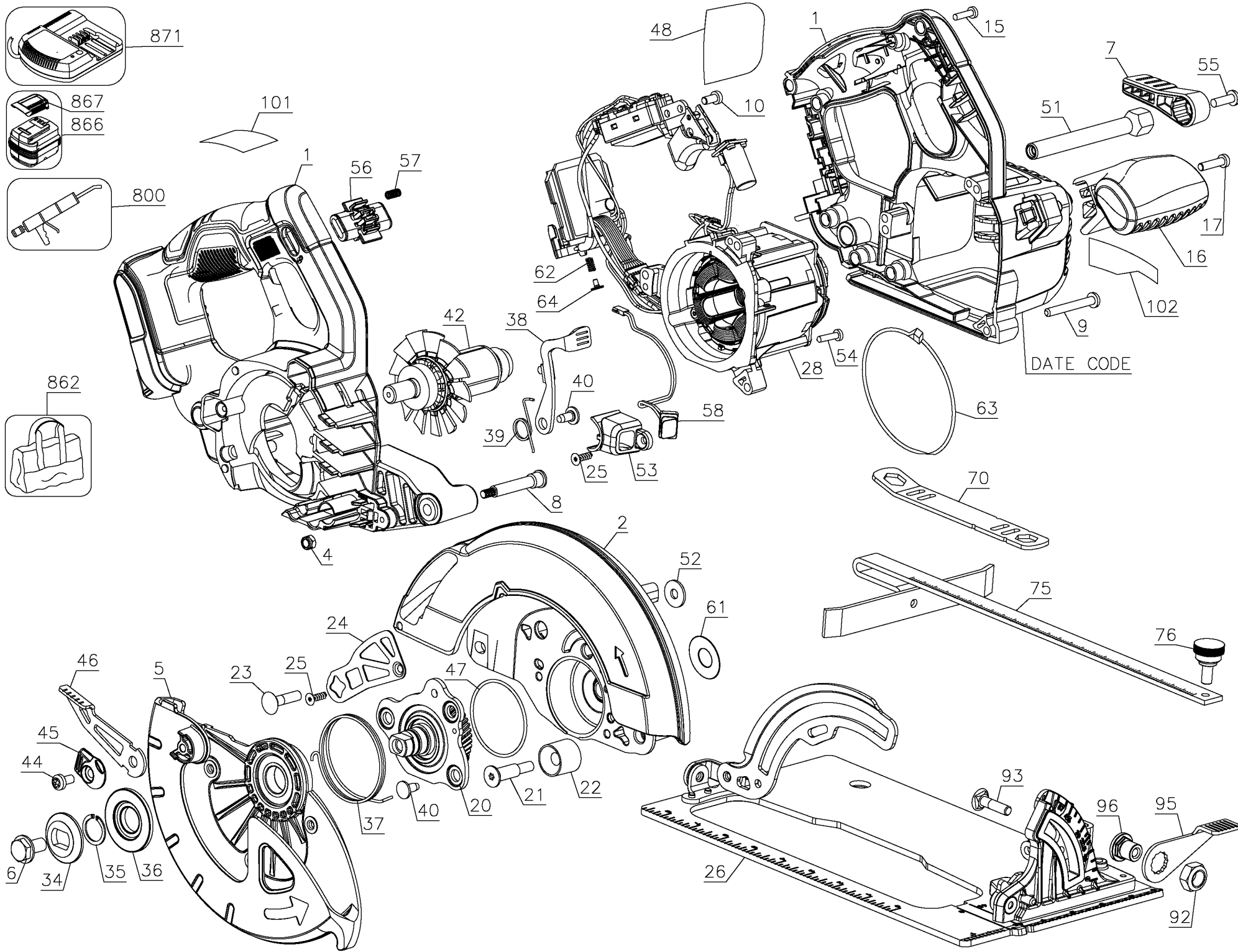
866



800



862



Parts List for DCS575T2 Type 1

Item Number	Part Number	Description	Qty Required
1	N418029	HOUSING ASSEMBLY	1
2	N462816	GEAR CASE ASSY.	1
4	N461154	NUT	1
5	N461005	LOWER GUARD	1
6	145344-00	SCREW,SPECIAL	1
7	N419350	LEVER	1
8	N461157	BOLT-PIVOT	1
9	330045-19	SCREW	4
10	330019-10	SCREW	1
15	330019-03	SCREW,PLASTITE	7
16	N115554	AUXILIARY HANDLE	1
17	330019-13	SCREW,PLASTITE	1
20	N472351	SPINDLE & GEAR ASSY.	1
21	N086135	SHOULDER SCREW	1
22	381066-00	BUMPER	1
23	098128-90	CARRIAGE BOLT	1
24	N461456	STRAP,RETAINER	1
25	N461159	SCREW PLASTITE	2
26	N472352	SHOE ASSEMBLY	1
28	N469746	STATOR & MODULE	1
34	145343-01	CLAMP,OUTER BLD	1
35	N120426	RETAINING RING	1
36	N084137	CLAMP WASHER	1
37	N100006	TORSION SPRING	1
38	N090570	LOCK LEVER	1
39	N100123	TORSION SPRING	1
40	385915-04	SCREW	4

Parts List for DCS575T2 Type 1

Item Number	Part Number	Description	Qty Required
42	N468098	ROTOR ASSY.	1
44	098094-13	SCREW	1
45	N146857	WASHER	1
46	N094953	GUARD LEVER	1
47	N361499	O-RING	1
48	N441709	RATING LABEL	1
51	N420031	SHAFT	1
52	N434869	WASHER	1
53	N421358	LENS COVER	1
54	N034545	SCREW	4
55	330045-14	SCREW, TAPTITE	1
56	N422878	LOCK OFF BUTTON	1
57	N433343	LOCK OFF SPRING	1
58	N363247	LED ASSY	1
61	N447499	FIBER WASHER	1
62	N461735	SPRING	1
63	90504014	CABLE TIE	1
64	N091479	MOUNT- SPRING	1
70	N420180	WRENCH	1
75	DW3278	RIP FENCE	1
76	N287119	KNOB	1
92	N117921	STOP NUT	1
93	098128-90	CARRIAGE BOLT	1
95	145347-00	LEVER,LOCK	1
96	N094731	SCREW	1
101	N459251	WARNING LABEL	1
102	N459252	LABEL	1

Parts List for DCS575T2 Type 1

Item Number	Part Number	Description	Qty Required
800	30301914-01	GREASE	1
862	629053-00	TOOL BAG	1
866	DCB606	FLEXVOLT BATTERY	2
867	N475920	BATTERY CAP	1
871	DCB118	CHARGER	1