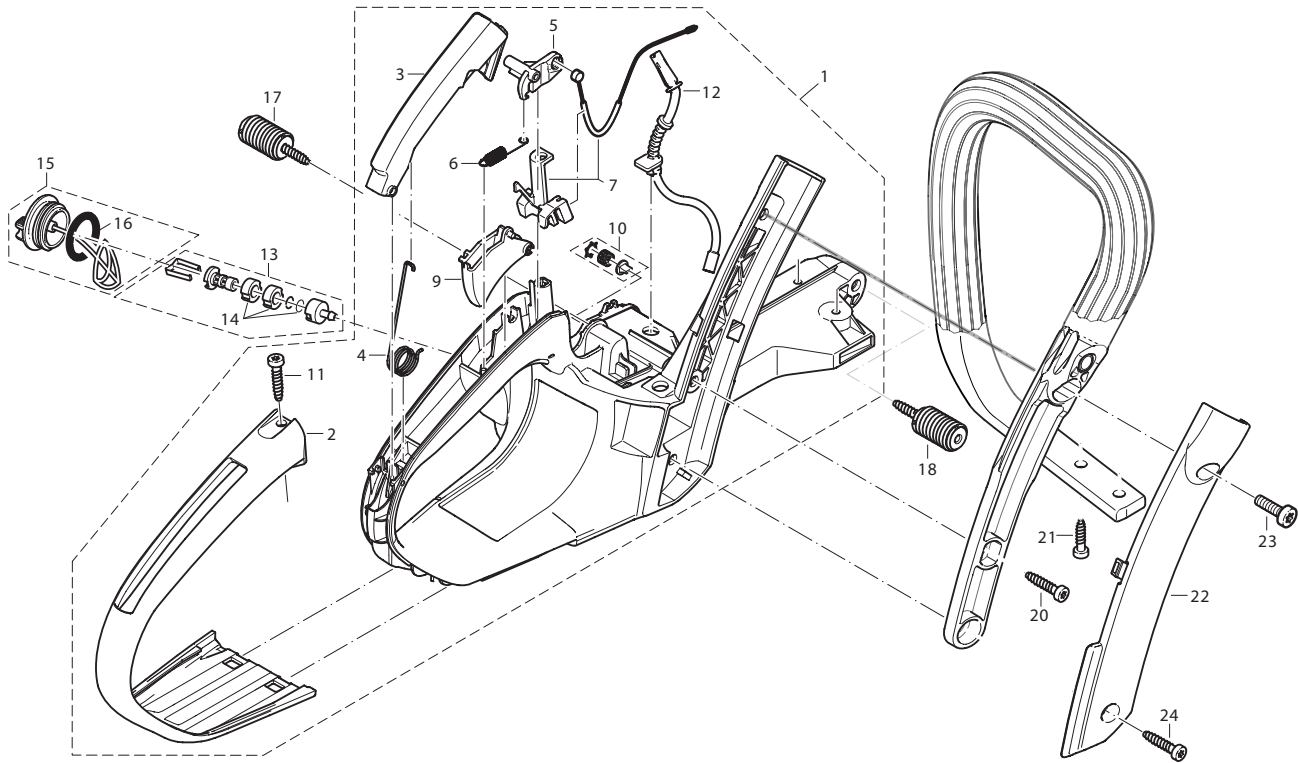
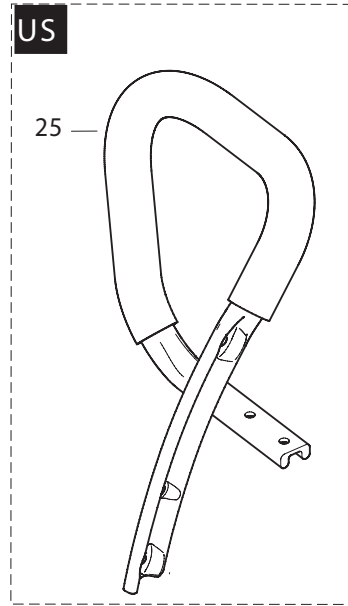


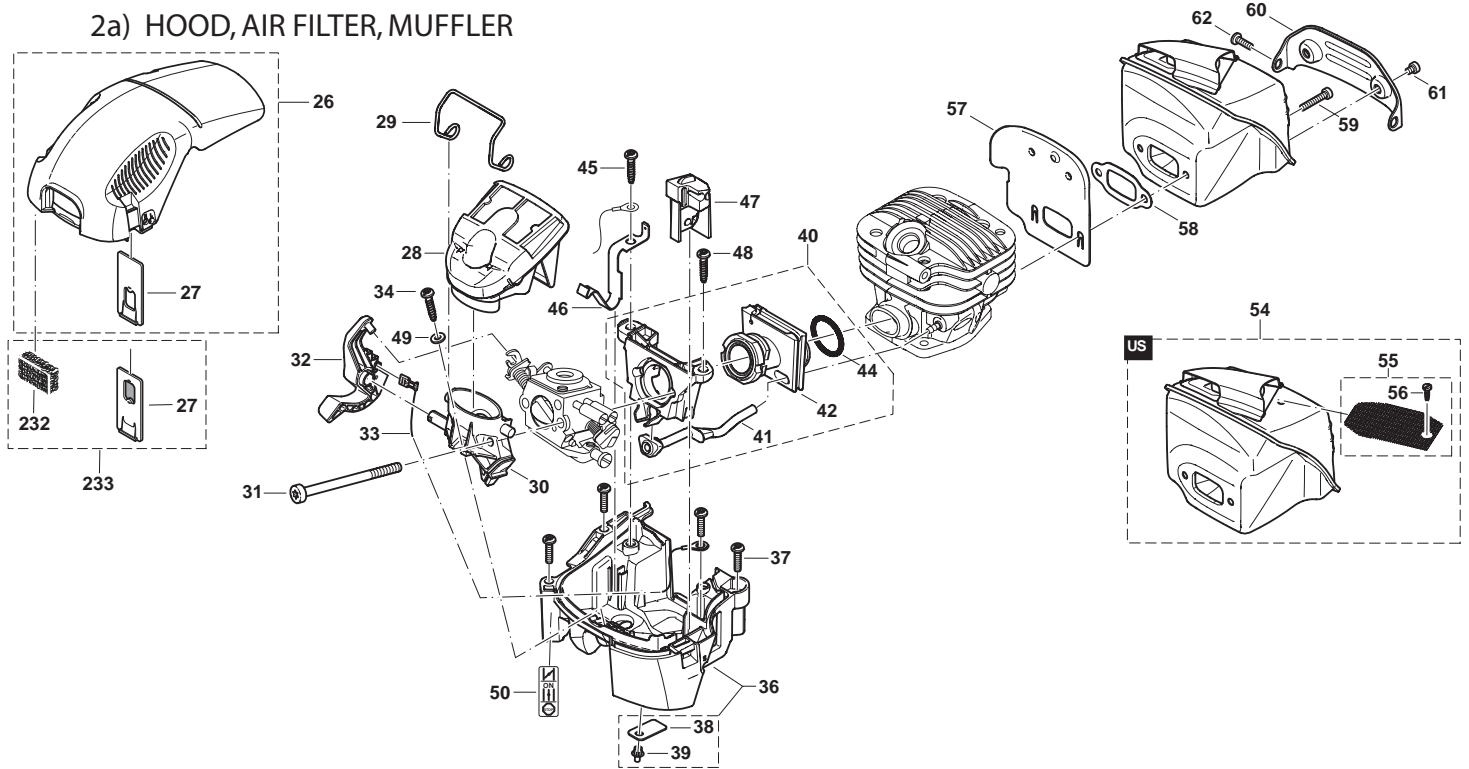
CONTENTS:

- 1) FUEL TANK, TUBULAR GRIP
- 2a) HOOD, AIR FILTER, MUFFLER
- 2b) CYLINDER CRANKCASE
- 3a) IGNITION ELECTRONICS, STARTER
- 3b) OIL PUMP, CLUTCH, CHAIN BRAKE
- 4) CARBURATOR
- 5) GUIDE BAR, SAW CHAINS, TOOLS

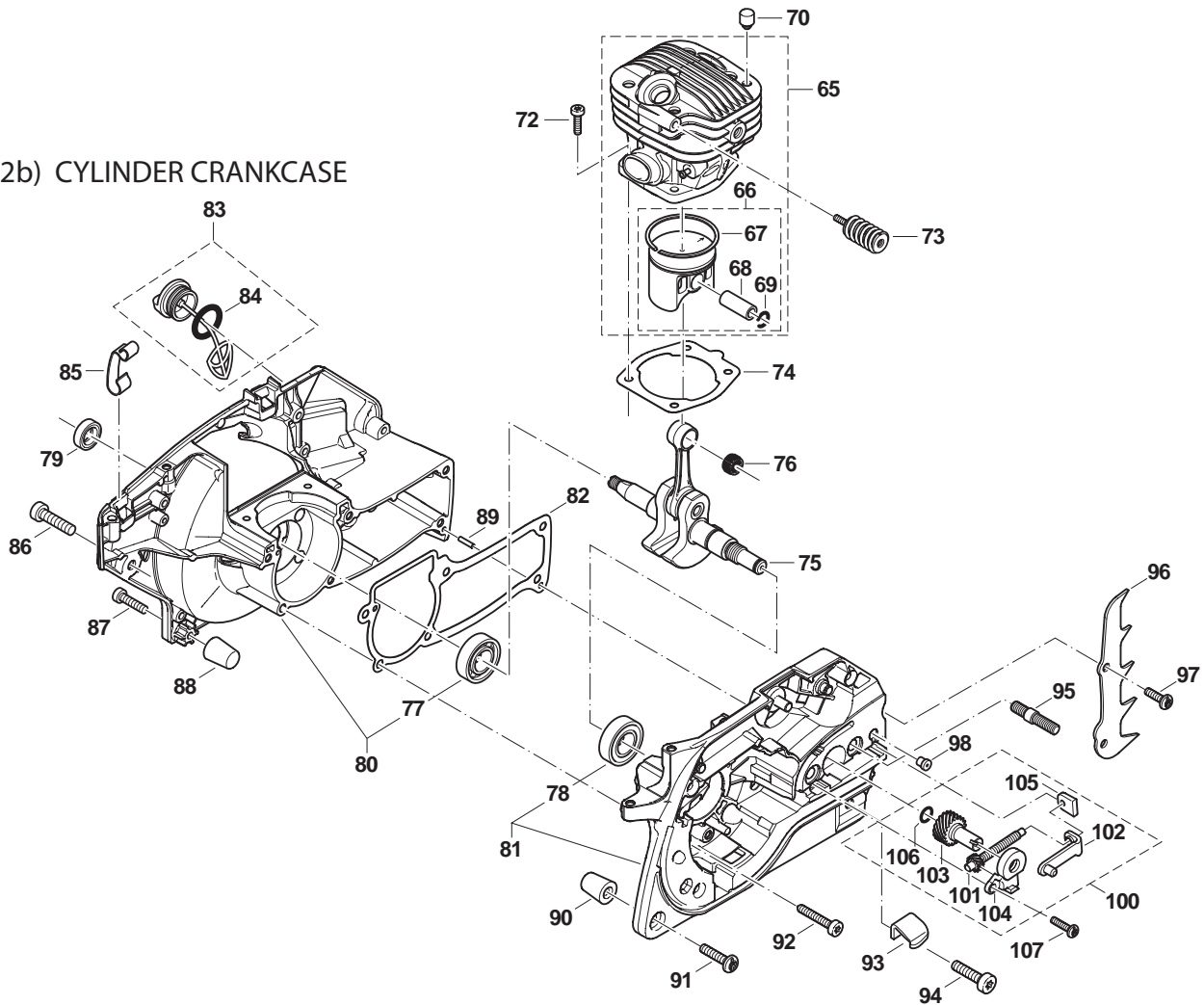
1) FUEL TANK, TUBULAR GRIP



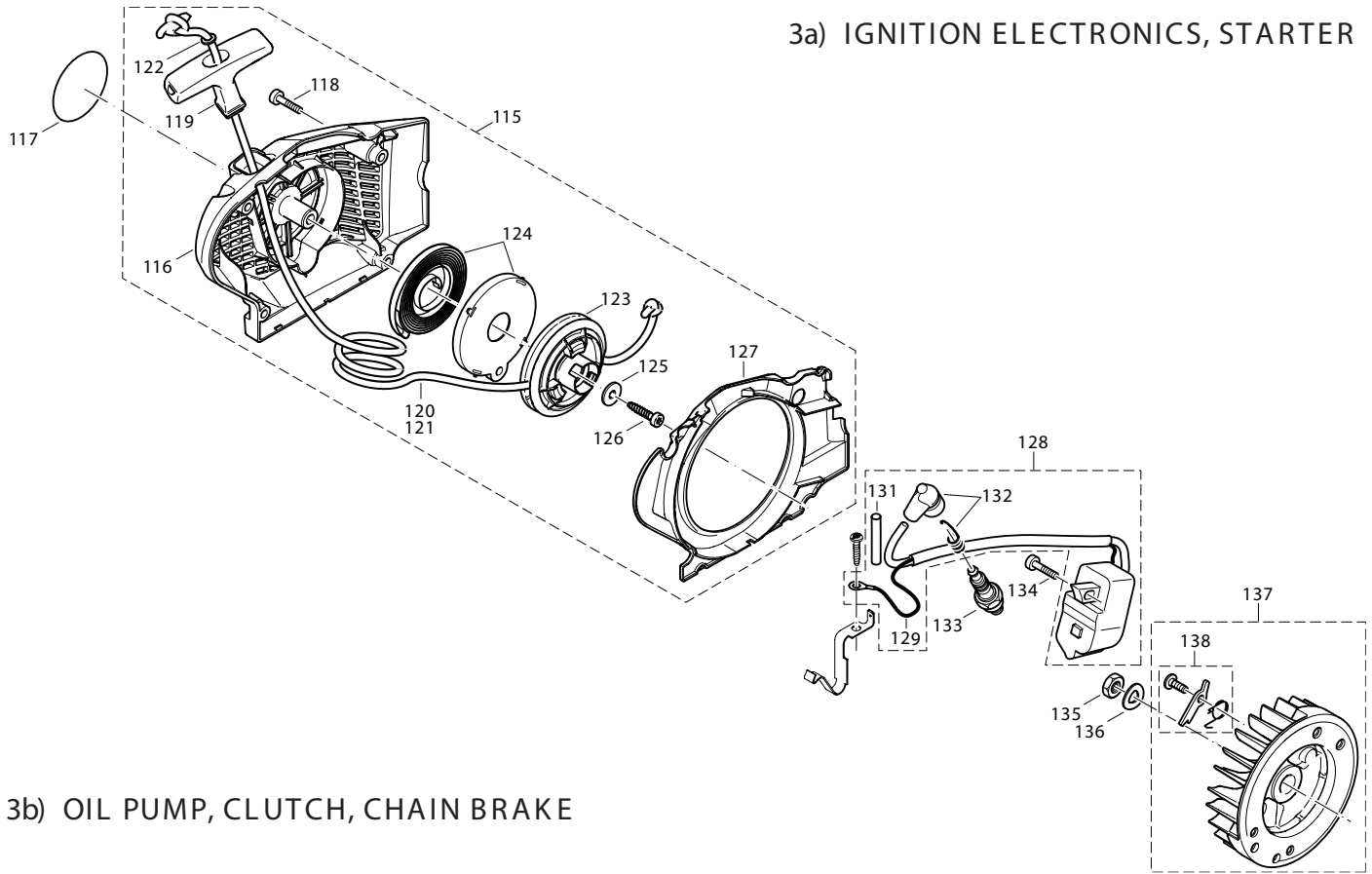
2a) HOOD, AIR FILTER, MUFFLER



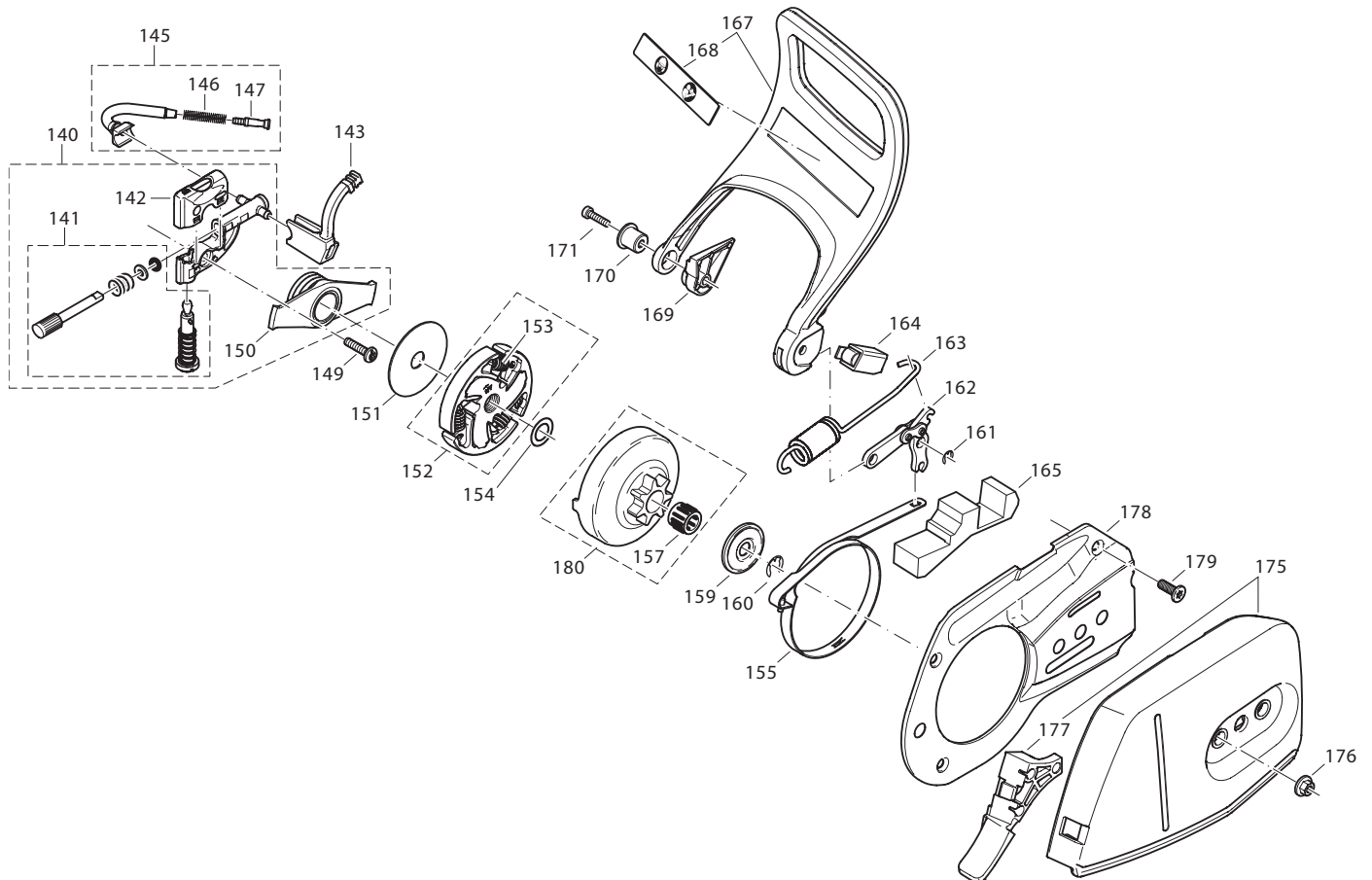
2b) CYLINDER CRANKCASE



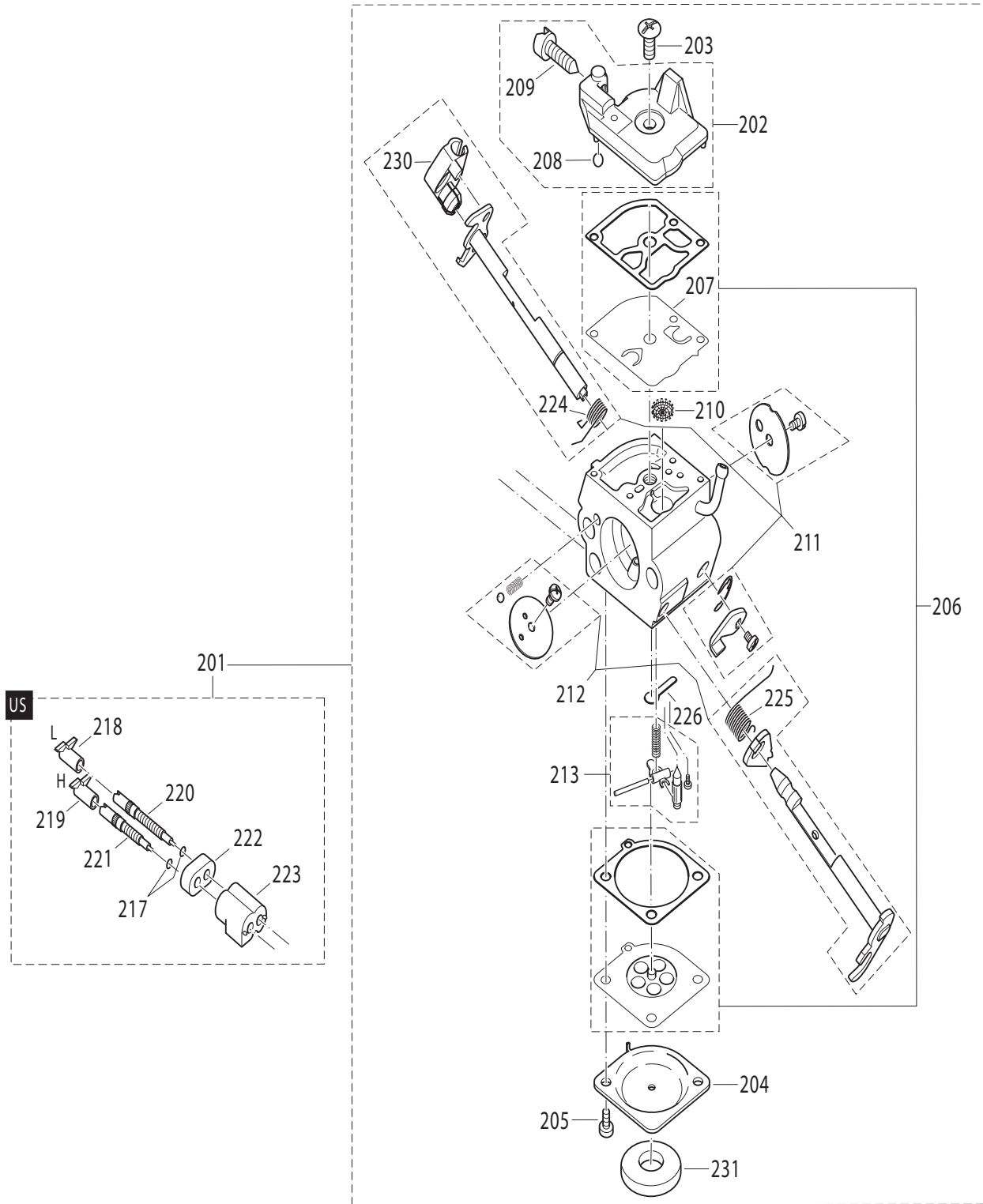
3a) IGNITION ELECTRONICS, STARTER



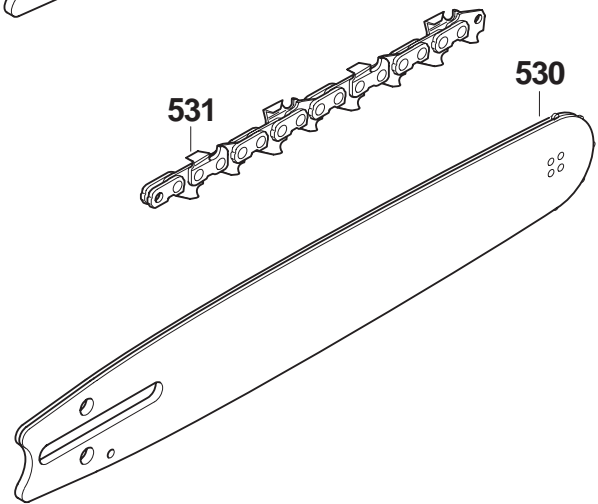
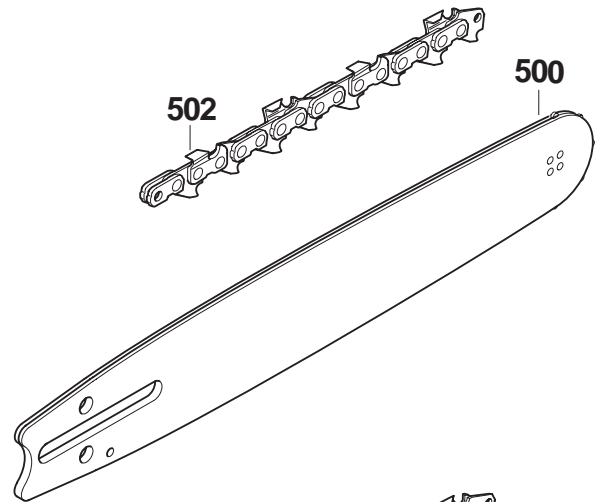
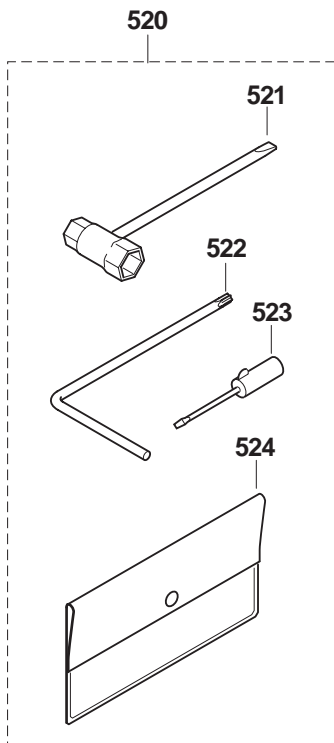
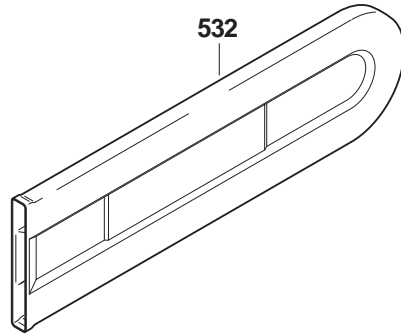
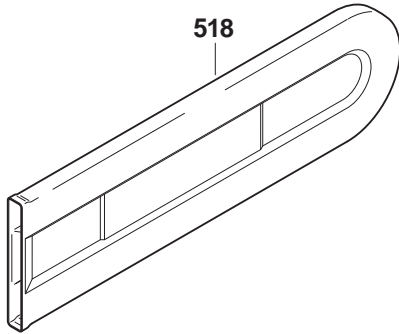
3b) OIL PUMP, CLUTCH, CHAIN BRAKE



4) CARBURATOR



5) GUIDE BAR, SAW CHAINS, TOOLS





PARTS BREAKDOWN  
rev 0\_07/29/2010

DCS51018  
DCS51020

Products with multiple versions are listed in subsiding order with the newest version on top not indented.

Corresponding bulletins are attached. Select bulletin name or attachment to view.

Tech Bulletins	Fig. No.	Part No.	Description	Q'ty Unit
	1	181-114-680	TANK CPL.,blue	1
	2	181-117-050	GRIP OUTER SHELL, black	1
	3	181-117-132	CATCH LEVER, DCS510	1
	3	181-117-131	CATCH LEVER	1
	4	181-117-031	SPRING	1
	5	181-117-081	ROCKER	1
	6	181-117-110	SPRING	1
	7	010-117-050	MODIFICATION SET (INCL. FIG. 30)	1
	9	181-117-120	THROTTLE LEVER	1
<a href="#">2008-04M</a>	10	957-114-061	AIR VALVE CPL, DCS6401	1
	10	957-114-060	AIR VALVE CPL.	1
	11	913-455-204	SCREW 5, 5X20	1
<a href="#">2008-02M</a>	12	181-114-064	FUEL LINE, DCS510	1
	12	181-114-062	FUEL LINE	1
	13	010-114-010	SUCTION HEAD	1
	14	010-114-020	FILTER (5 OF EACH)	1
	15	181-114-201	TANK CAP CPL., Fuel	1
	16	963-229-036	PACKING RING 29, 3X3, 6	1
	17	181-114-300	SPRING CPL.	1
	18	181-114-300	SPRING CPL.	1
	20	913-455-204	SCREW 5, 5X20	1
	21	913-455-164	SCREW 5, 5X16	2
	22	181-114-650	COVER	1
	23	908-006-205	SCREW 6X20	1
	24	913-455-204	SCREW 5, 5x20	1
	25	181-310-250	TUBULAR HANDLE	1
	26	181-118-601	HOOD, DCS510	1
	26	181-118-600	HOOD CPL., grey	1
	27	181-118-060	INSERT	1
	28	181-173-100	AIR FILTER CPL.	1
	28	181-173-010	AIR FILTER CPL., nylon	1
	28	181-173-200	AIR FILTER CPL.,fine	1
	29	181-171-050	CLIP for AIR FILTER	1
	30	010-117-050	MODIFICATION SET (INCL. FIG. 7)	1
	31	908-505-555	SCREW 5X55	2
	32	181-155-020	CHOKE ON/OFF SWITCH	1
	33	970-311-550	EARTH CABLE	1
	34	913-455-164	SCREW 5, 5X16	1
	36	181-131-601	BOTTOM BLUE	1
	37	908-905-205	SCREW 5X20	4
	38	038-118-110	RUBBER FLAP	1
	39	938-650-062	RIVET	1
	40	181-171-150	FLANGE CPL.	1
	41	181-131-090	TUBE	1
	42	181-131-040	SUCTION HOSE	1
	44	181-131-070	ANNULAR SPRING	1
	45	913-455-164	SCREW 5, 5X16	1
	46	181-155-010	CONTACT SPRING	1
	47	181-155-030	ADJUSTING GUIDE	1



PARTS BREAKDOWN  
rev 0\_07/29/2010

DCS51018  
DCS51020

Products with multiple versions are listed in subsiding order with the newest version on top not indented.

Corresponding bulletins are attached. Select bulletin name or attachment to view.

Tech Bulletins	Fig. No.	Part No.	Description	Q'ty Unit
	48	913-455-164	SCREW 5, 5X16	1
	49	928-405-000	SPRING WASHER	1
	50	980-114-928	LABEL	1
	54	181-174-200	MUFFLER, US	1
	55	181-174-250	SPARK ARRESTOR SCREEN CPL.	1
	56	915-035-140	SCREW 3,5	1
	57	181-174-061	COVER PLATE	1
	58	181-174-050	GASKET	1
	59	908-905-205	SCREW 5X20	2
	60	181-174-090	SHEET-METAL	1
	61	908-005-095	SCREW M5X9	2
	62	908-905-165	SCREW 5X16	1
	65	179-130-210	CYLINDER/PISTON CPL., DCS510	1
	66	181-132-060	PISTON CPL., DCS510	1
	67	181-132-080	PISTON RING, DCS510	1
	68	181-132-040	PISTON PIN	1
	69	181-132-050	SPRING RING 12X1	2
	70	181-118-070	DAMPING PLUG	2
<b><u>2008-12M</u></b>	72	908-805-235	SCREW W/SPRING WASHER, DPC7331	4
	72	908-405-205	SCREW M5X20	4
	73	181-114-400	DAMPING SPRING CPL.	1
	74	181-131-131	GASKET, DCS510	1
	74	181-131-130	GASKET	1
	75	181-120-100	CRANKSHAFT CPL.,DCS460	1
	75	962-210-033	NEEDLE CAGE, DCS510	1
	76	962-210-030	NEEDLE CAGE 10X13X13,5	1
	77	960-102-159	BALL BEARING 6202	1
	78	960-123-159	COMBO. BALL BEARING 6202 C3	1
	79	962-900-056	RADIAL RING	1
	80	179-111-650	CRANKCASE M. SIDE BLUE	1
	81	179-111-640	CRANKCASE CL. SIDE BLUE	1
	82	181-111-060	GASKET	1
	83	170-114-061	TANK CAP CPL.	1
	84	963-225-030	PACKING RING	1
	85	181-118-050	STEEL CLIP	3
	86	908-006-205	SCREW 6X20	1
	87	908-905-205	SCREW 5X20	1
	88	181-111-230	IMPACT PROTECTION	1
	89	936-430-160	SPIRAL CLAMPING PIN 3X16	2
	90	181-111-230	IMPACT PROTECTION	1
	91	908-905-205	SCREW 5X20	1
<b><u>2007-18</u></b>	92	908-005-205	SCREW M5X20, DCS6000I21	6
	92	908-905-205	SCREW 5X20	6
	93	181-111-050	CHAIN CATCH	1
	94	908-006-205	SCREW 6X20	1
	95	905-808-215	SCREW M8X21	2
	96	181-250-011	SPIKE BAR	1
	97	908-905-165	SCREW 5X16	2
	98	010-245-030	VENT VALVE	1





PARTS BREAKDOWN  
rev 0\_07/29/2010

DCS51018  
DCS51020

Products with multiple versions are listed in subsiding order with the newest version on top not indented.

Corresponding bulletins are attached. Select bulletin name or attachment to view.

Tech Bulletins	Fig. No.	Part No.	Description	Q'ty Unit
	100	181-213-300	CHAIN TENSIONER CPL.	1
	101	181-213-230	TENSIONING SCREW	1
	102	181-213-240	TENSION SLIDE	1
	103	181-213-250	ADJUSTING SCREW	1
	104	181-213-270	TRANSMISSION COVER	1
	105	181-213-260	TENSIONING SCREW BEARING	1
	106	963-207-020	O-RING 7X2	1
	107	908-905-165	SCREW 5X16	1
	115	181-160-650	STARTER ASS'Y, blue	1
	116	181-112-611	FAN HOUSING, blue	1
	117	980-115-224	LABEL	1
	118	908-905-205	SCREW 5X20	4
	119	001-161-020	STARTER GRIP	1
	120	108-164-020	STARTER ROPE (980MM)	1
	121	985-000-155	STARTER ROPE (100M)	1
	122	928-405-000	SPRING WASHER	1
	123	181-162-150	CABLE DRUM CPL.	1
	124	181-163-020	REWIND SPRING IN HSG.	1
	125	924-605-510	WASHER	1
	126	913-455-204	SCREW 5,5X20	1
	127	181-118-041	AIR GUIDE PLATE	1
<b><u>2010-13</u></b>	128	181-143-204	IGNITION COIL RED CPL., DCS510	1
	128	181-143-200	IGNITION COIL CPL.	1
	128	181-143-200	IGNITION COIL CPL.	1
	129	181-147-050	IGNITION CABLE	1
	131	970-502-110	INSULATING HOSE L=55MM	1
	132	957-604-260	PLUG CAP	1
	133	965-603-021	SPARK PLUG	1
	134	908-905-205	SCREW 5X20	2
	135	920-308-024	HEXAGONAL NUT M8X1	1
	136	926-208-001	SPRING WASHER	1
	137	181-141-100	FLYWHEEL ASS'Y	1
	138	108-166-051	STARTER RATCHET CPL.	2
	140	181-245-250	OIL PUMP CPL.	1
	141	181-245-260	REPAIR KIT, OIL PUMP	1
	142	181-245-140	OIL PUMP COVER	1
	143	181-245-120	OIL LINE	1
	145	181-245-100	OIL LINE CPL.	1
	146	021-245-060	SPRING	1
	147	001-245-020	HOSE STEM	1
	149	908-905-165	SCREW 5X16	1
	150	181-245-090	PUMP DRIVE	1
	151	001-182-042	GUIDE DISC, DCS6401	1
	151	001-182-041	GUIDE DISC	1
	152	181-180-101	CLUTCH ASS'Y	1
	153	181-184-010	SPRING	3
	154	021-224-011	DISC, DCS340	1
	154	021-224-010	DISC	1
	155	181-213-010	BRAKE SPRING	1



PARTS BREAKDOWN  
rev 0\_07/29/2010

DCS51018  
DCS51020

Products with multiple versions are listed in subsiding order with the newest version on top not indented.

Corresponding bulletins are attached. Select bulletin name or attachment to view.

Tech Bulletins	Fig. No.	Part No.	Description	Q'ty Unit
	157	962-300-009	NEEDLE SLEEVE 10/14X12	1
	159	181-224-081	DISC, DCS510	1
	159	181-224-080	DISC	1
	160	927-408-000	WASHER	1
	161	927-304-000	WASHER	1
	162	181-213-100	BRAKING MECHANISM	1
	163	181-213-350	SPRING	1
	164	181-213-170	HAND GUARD GUIDE CPL.	1
	165	181-213-371	FOAM SPONGE	1
	167	181-213-160	HAND GUARD CPL.	1
	168	980-114-237	LABEL	1
	169	181-213-310	SPACER	1
	170	181-213-320	BUSHING	1
	171	908-905-205	SCREW 5X20	1
	175	957-213-600	SPROCKET GUARD CPL., blue	1
	176	923-208-004	HEXAGONAL NUT M8	2
	177	957-213-220	CHIP GUIDE	1
	178	181-213-190	COVER	1
	179	913-850-155	SCREW 5X15	3
	180	181-223-320	CLUTCH 3/8" , Z=7	1
	180	181-223-310	CLUTCH 3/25" , Z=7	1
	201	181-153-300	CARBURETOR, DCS510	1
	202	181-153-030	PUMP COVER	1
	203	038-153-360	SCREW	1
	204	181-153-040	DIAPHRAGM COVER	1
	205	001-153-020	SCREW	2
	206	181-153-020	SET DIAPHRAGM/GASKETS	1
	207	181-153-050	PUMP DIAPHRAGM, TEFLON	1
	207	181-153-060	PUMP DIAPHRAGM, RUBBER	1
	208	038-153-210	FRICTIONAL BALL	1
	209	181-153-070	IDLE STOP SCREW	1
	210	181-153-080	SCREEN	1
	211	957-153-090	KIT THROTTLE SHAFT	1
	212	957-153-080	KIT CHOKE SHAFT	1
	213	957-153-070	CONTROL PARTS	1
	217	181-153-220	WASHER	2
	218	181-153-280	LIMITER CAP, white	1
	219	038-153-310	LIMITER CAP, red	1
	220	181-153-260	IDLE ADJUSTMENT SCREW - L	1
	221	181-153-270	MAIN ADJUSTMENT SCREW - H	1
	222	181-153-290	RUBBER RING	1
	223	038-153-320	ADJUSTING GUIDE	1
	224	181-153-110	SPRING	1
	225	181-153-160	SPRING	1
	226	181-153-210	PLUG-WELCH	1
	230	038-155-012	RETAINING CLIP, DCS6401	1
	230	038-155-011	RETAINING CLIP	1
	231	965-402-991	GASKET	1
	232	181-173-250	SNOW FILTER, DCS510	1



PARTS BREAKDOWN  
rev 0\_07/29/2010

DCS51018  
DCS51020

*Products with multiple versions are listed in subsiding order with the newest version on top not indented.*

*Corresponding bulletins are attached. [Select bulletin name](#) or [attachment to view](#).*

<b>Tech Bulletins</b>	<b>Fig. No.</b>	<b>Part No.</b>	<b>Description</b>	<b>Q'ty Unit</b>
<a href="#">2005-18</a>	233	957-173-250	SNOW SET, DCS510	1
	500	445-045-631	18" GUIDE BAR, .325", DCS460	1
	502	528-086-672	18" SAW CHAIN .325, DCS460	1
	518	952-100-643	CHAIN PROTECTION COVER, 18"	1
	520	957-004-002	TOOL CPL.	1
	521	941-719-131	UNIVERSAL WRENCH	1
	522	940-827-000	ANGLED SCREW DRIVER	1
	523	944-340-001	SCREW DRIVER	1
	524	950-004-001	PLASTIC BAG	1
	530	443-053-661	20" GUIDE BAR, DCS510-20	1
	531	523-102-072A	20" CHAIN, .050-3/8,DCS6401-20	1
	532	952-100-653	CHAIN PROTECTION COVER, 20-24",50-60CM DC	1