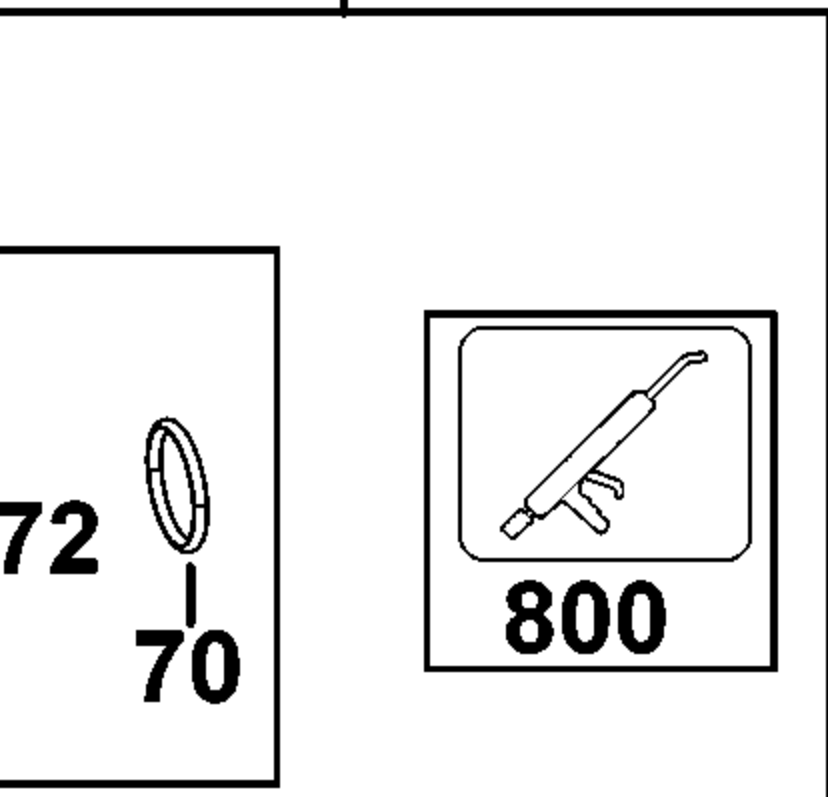


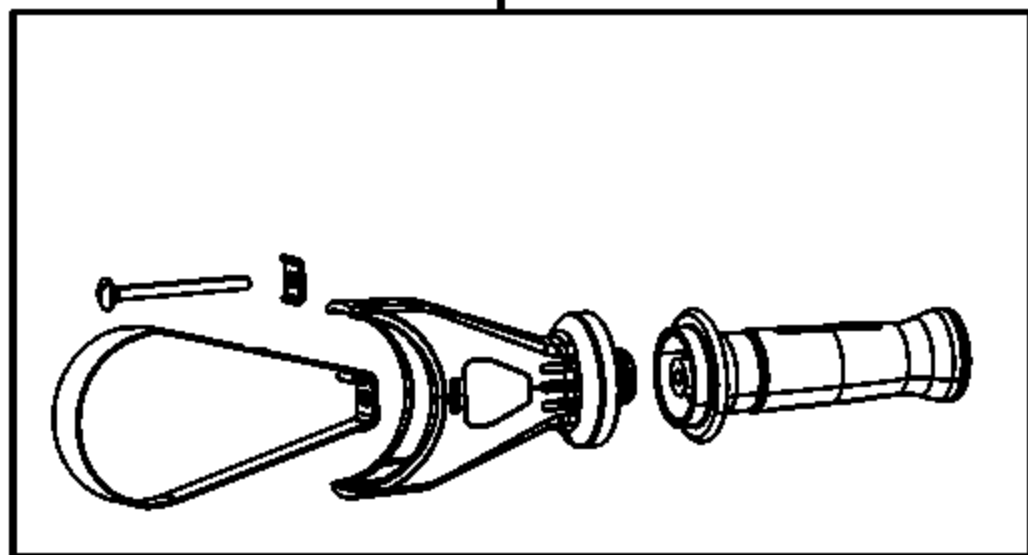
©



301



130



Parts List for DCH733X2 Type 1

| Item Number | Part Number | Description | Qty Required |
|-------------|-------------|----------------------|--------------|
| 1 | N454966 | END CAP | 1 |
| 2 | N551899 | MOTOR HOUSING | 1 |
| 3 | N548557 | SCREW | 26 |
| 4 | N481045 | FELT | 1 |
| 5 | 330065-08 | SCREW | 23 |
| 7 | N463694 | MODE KNOB | 1 |
| 8 | N402321 | SIDE COVER | 1 |
| 9 | N607940 | CAP | 1 |
| 10 | N402322 | SIDE COVER | 1 |
| 11 | N551709 | TOP COVER | 1 |
| 13 | N463694 | MODE KNOB | 1 |
| 17 | N496302 | HANDLE PLATE | 1 |
| 18 | N497944 | BELLOWS | 1 |
| 19 | N513311 | LIGHT PIPE | 1 |
| 20 | N592381 | MOTOR / MODULE ASSY. | 1 |
| 22 | N565828 | CABLE RETAINER | 1 |
| 23 | 330065-06 | SCREW | 1 |
| 24 | N091479 | MOUNT- SPRING | 1 |
| 25 | N461735 | SPRING | 1 |
| 26 | N728012 | INSERT | 1 |
| 27 | N728013 | INSERT | 1 |
| 28 | N467560 | PLATE | 1 |
| 29 | N518220 | SPRING | 1 |
| 30 | N518219 | EJECTOR BUTTON | 1 |
| 31 | N152623 | STOP | 1 |
| 32 | N501559 | SPRING | 1 |
| 33 | N497943 | BELLOWS | 1 |

Parts List for DCH733X2 Type 1

| Item Number | Part Number | Description | Qty Required |
|-------------|-------------|-------------------|--------------|
| 34 | N453525 | DOWEL PIN | 1 |
| 36 | N580544 | REAR HANDLE ASSY. | 1 |
| 38 | N580546 | CAGE | 1 |
| 41 | N582955 | MAIN HOUSING | 1 |
| 43 | N442596 | ADAPTER | 1 |
| 44 | N408073 | NEEDLE BEARING | 1 |
| 45 | N580503 | CLUTCH ASSEMBLY | 1 |
| 46 | N447147 | SEAL | 1 |
| 47 | N398520 | SLEEVE BEARING | 1 |
| 48 | N580506 | INTERMEDIATE GEAR | 1 |
| 49 | N537281 | BUSH | 1 |
| 50 | N580547 | CRANKSHAFT | 1 |
| 51 | N580507 | GEAR HOUSING | 1 |
| 52 | N422626 | SEAL RING | 1 |
| 53 | 488147-01 | CIRCLIP | 1 |
| 54 | N110363 | BEARING | 1 |
| 55 | N110359 | BEARING | 1 |
| 56 | N362699 | CIRCLIP | 1 |
| 58 | N592375 | ROTOR ASSY. | 1 |
| 59 | N417208 | FAN BAFFLE | 1 |
| 61 | 330019-05 | SCREW,PLASTITE | 4 |
| 63 | N580550 | PISTON ASSEMBLY | 1 |
| 70 | N612854 | O-RING | 2 |
| 71 | N580553 | CYLINDER | 1 |
| 72 | N481377 | O-RING | 2 |
| 73 | N580554 | RAM | 1 |
| 75 | N493644 | O-RING | 1 |

Parts List for DCH733X2 Type 1

| Item Number | Part Number | Description | Qty Required |
|-------------|-------------|---------------|--------------|
| 76 | N413144 | BUSH | 1 |
| 77 | N400500 | DAMPER | 1 |
| 78 | N389366 | WASHER | 1 |
| 79 | N580555 | SPINDLE | 1 |
| 80 | N392234 | WASHER | 2 |
| 81 | 589223-00 | DAMPER | 1 |
| 82 | N580556 | BEAT PIECE | 1 |
| 83 | N594490 | SEAL | 1 |
| 84 | N432561 | O-RING | 1 |
| 85 | N409943 | COVER | 1 |
| 86 | N504016 | ECCENTRIC | 1 |
| 87 | N515556 | O-RING | 1 |
| 88 | N410143 | SLIDER | 1 |
| 89 | N520791 | SPRING | 2 |
| 90 | N410898 | CONNECTOR | 1 |
| 91 | N427022 | CRANK PLATE | 1 |
| 93 | N455140 | O-RING | 1 |
| 95 | N520790 | DETENT SPRING | 1 |
| 96 | N409698 | SLIDER | 1 |
| 97 | N580526 | BEVEL GEAR | 1 |
| 98 | N580533 | SLEEVE | 1 |
| 99 | N497938 | SPRING | 1 |
| 100 | N580559 | FRONT HOUSING | 1 |
| 102 | N607940 | CAP | 1 |
| 103 | N392582 | SEAL RING | 1 |
| 104 | N181847 | LOCKING RING | 1 |
| 105 | N416525 | FRONT COVER | 1 |

Parts List for DCH733X2 Type 1

| Item Number | Part Number | Description | Qty Required |
|-------------|-------------|-------------------|--------------|
| 106 | N431324 | GASKET | 1 |
| 107 | N420195 | LOCK BUSHING | 1 |
| 108 | 949886-32 | SCREW | 4 |
| 109 | N516486 | GUIDE | 1 |
| 110 | N520784 | CONICAL SPRING | 1 |
| 111 | N520782 | SPRING | 1 |
| 112 | N408040 | GUIDE BUSHING | 1 |
| 113 | N511836 | LOCKING PIECE | 1 |
| 114 | N511834 | BUSH | 1 |
| 115 | N511805 | DAMPER | 1 |
| 116 | N468816 | SLEEVE | 1 |
| 117 | 487244-00 | RUBBER | 1 |
| 118 | N516487 | WASHER | 1 |
| 119 | N522784 | SNAP RING | 1 |
| 120 | 487238-01 | SEAL | 1 |
| 121 | N680282 | RUBBER PIN | 2 |
| 130 | N593983 | SIDE HANDLE | 1 |
| 138 | N520790 | DETENT SPRING | 1 |
| 145 | N551366 | INFORMATION LABEL | 1 |
| 146 | N551331 | RATING LABEL | 1 |
| 150 | 330065-35 | SCREW | 2 |
| 165 | N578605 | FELT | 1 |
| 201 | N551366 | INFORMATION LABEL | 1 |
| 800 | 578970-06 | GREASE | 1 |
| 800 | 578970-04 | GREASE | 1 |
| 837 | 1003974-99 | SERVICE TOOL | 1 |
| 837 | 1003975-99 | SERVICE TOOL | 1 |

Parts List for DCH733X2 Type 1

| Item Number | Part Number | Description | Qty Required |
|-------------|-------------|---------------------|--------------|
| 837 | 1003972-99 | SERVICE TOOL | 1 |
| 837 | 1003973-99 | SERVICE TOOL | 1 |
| 839 | 1003979-99 | ST BEARING INSERTOR | 1 |
| 840 | 1003978-99 | S.T. INSERTION TOOL | 1 |
| 841 | 1003977-99 | S.T. PULLER | 1 |
| 850 | N544162 | SERVICE TOOL | 1 |
| 861 | N508182 | KIT BOX | 1 |
| 866 | DCB609 | FLEXVOLT BATTERY | 2 |
| 867 | N475920 | BATTERY CAP | 1 |
| 871 | DCB118 | CHARGER | 1 |