

TO DATE CODE WK52 2017

FROM DATE CODE WK01 2018

Loctite 278

200Nm

Loctite 278

90Nm

20gms
800

800

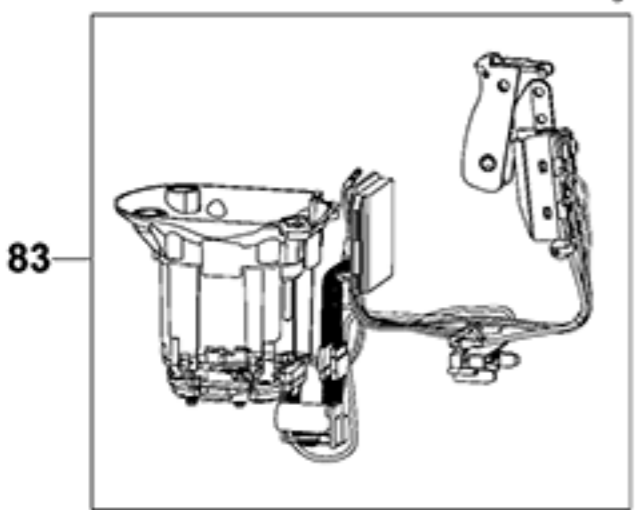
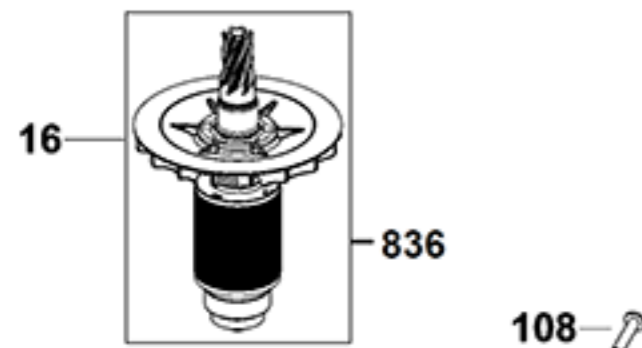
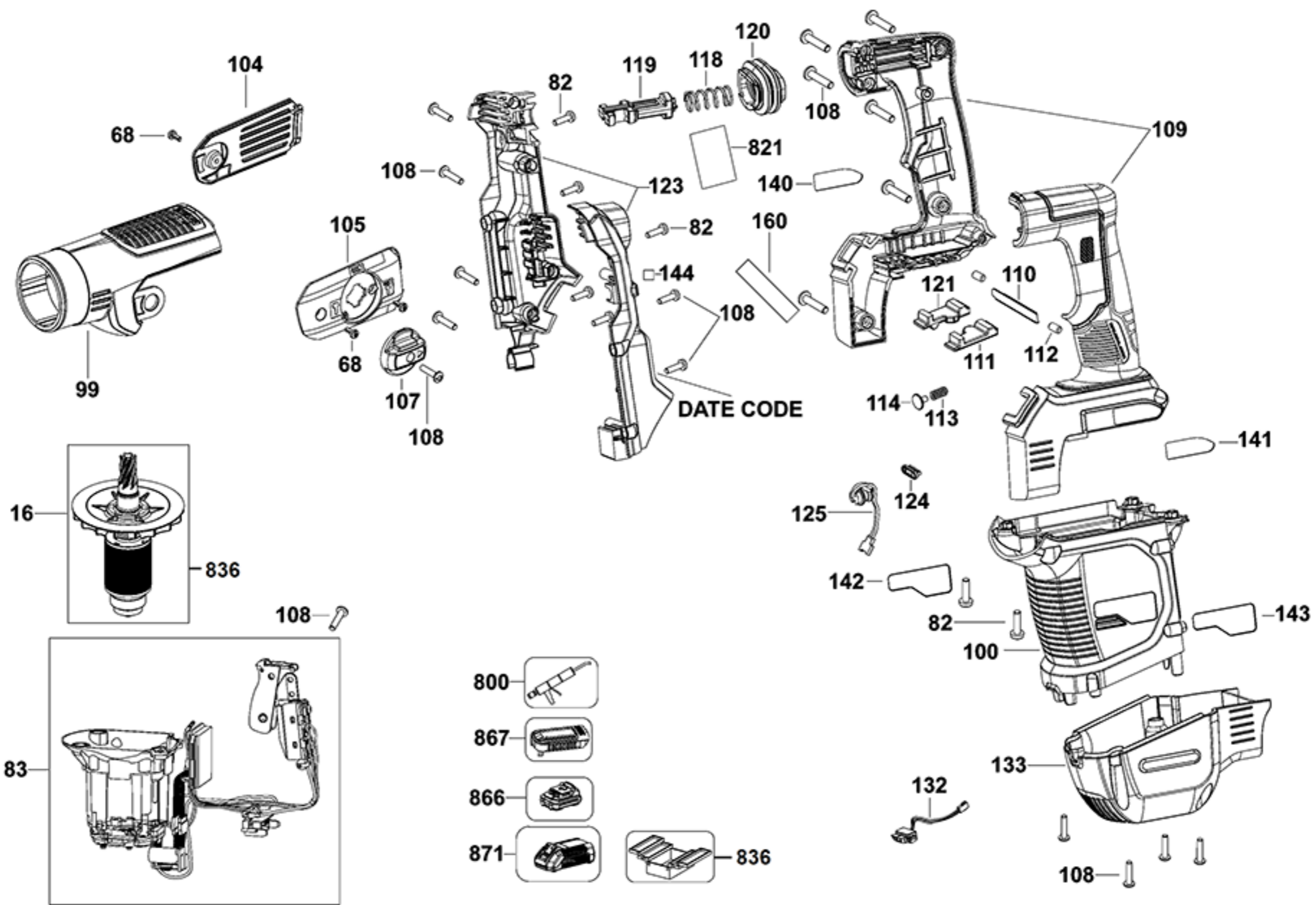
20gms
800






800

837

861

--57(x2)



- 800 
- 867 
- 866 
- 871 
-  836