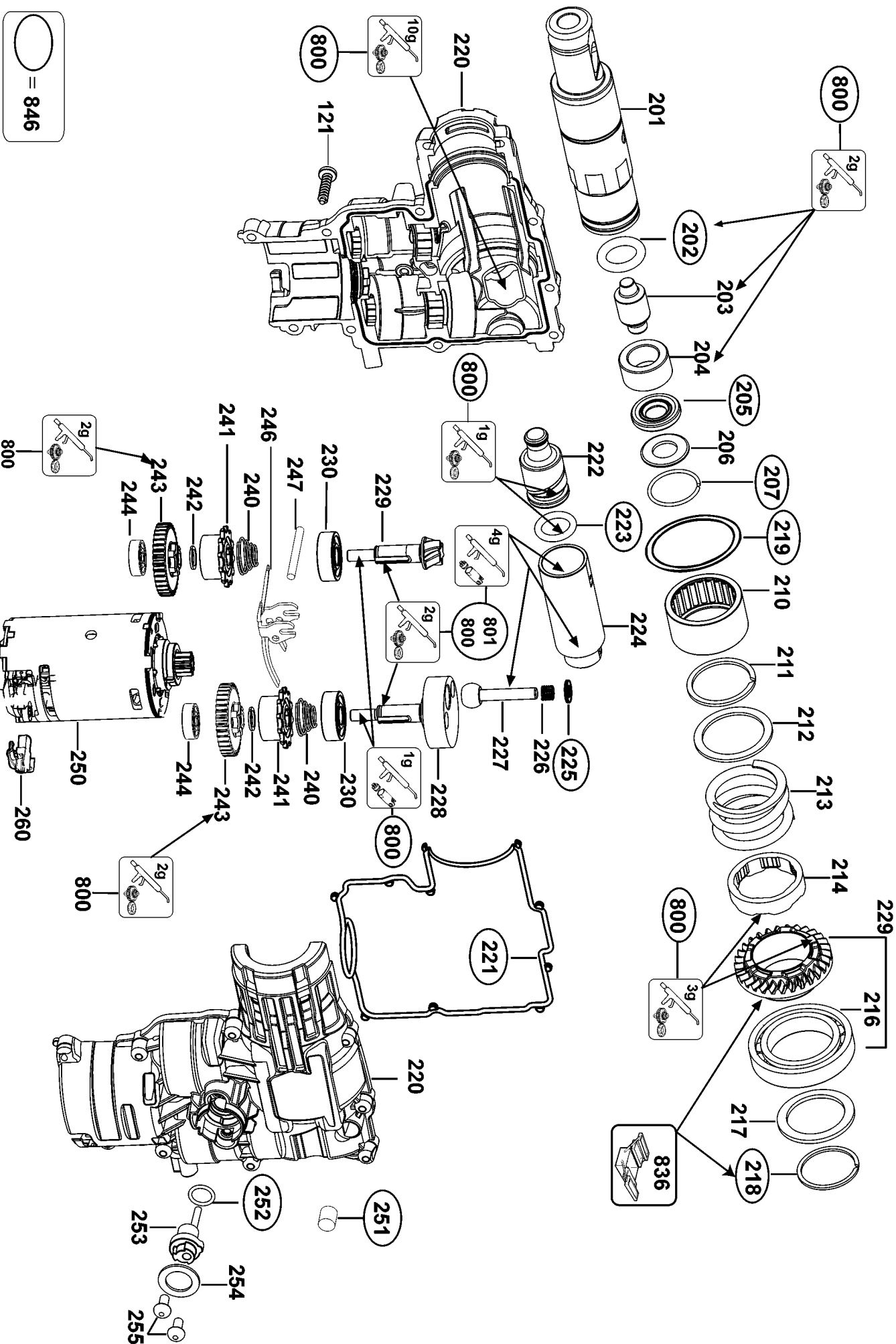


○ = 846



## Parts List for DCH213L2 Type 1

Item Number	Part Number	Description	Qty Required
101	323489-00	CAP	1
102	579212-00	RING	1
103	493965-00	TUBE	1
104	583890-00	BALL	1
105	578387-00	WASHER	1
106	871690	SPRING	1
107	590306-00	FELT SEAL	1
110	574937-01	GEAR CASE COVER	1
111	490785-00	SLEEVE	1
112	575023-00	SELECTOR	1
113	324006-16	SCREW	1
114	478843-00	SPRING	1
115	575026-00	CAP	1
116	575024-00	RELEASE BUTTON	1
120	N123179	CLAMSHELL SET	1
121	330065-08	SCREW	21
122	N072124	LEVER	1
123	575030-00	SPRING	1
124	575032-00	PIN	2
125	479313-00	SPRING	1
127	N123191	LED LIGHT	1
128	N160595	SWITCH & PCB	1
130	N094649	PLATE	1
131	N119679	SPRING	1
132	N091479	MOUNT- SPRING	1
160	N112156	SIDE HANDLE ASSEMBLY	1
170	580787-00	DEPTH STOP	1

## Parts List for DCH213L2 Type 1

Item Number	Part Number	Description	Qty Required
201	492807-00	SPINDLE	1
202	323711-02	O RING	1
203	492808-00	BEAT PIECE	1
204	492809-00	GUIDE BUSHING	1
205	870890-00	RING,RETAINING	1
206	327087-00	WASHER	1
207	323762-07	RING	1
210	590302-00	NEEDLE BEARING	1
211	488105-00	CLIP	1
212	589350-00	WASHER	1
213	589346-00	SPRING	1
214	492817-00	BUSH	1
216	479478-00	BEARING	1
217	589348-00	WASHER	1
218	488390-00	CLIP	1
219	491536-00	O-RING	1
220	492820-00	HOUSING ASSY.	1
221	478909-00	SEAL	1
222	492830-00	RAM	1
223	577168-00	O RING	1
224	492822-00	PISTON	1
225	494317-00	WASHER	1
226	490286-00	SPRING	1
227	492823-00	BALL SPINDLE	1
228	492824-00	CRANKSHAFT	1
229	N071966	REPAIR KIT	1
230	477133-00	BALL BEARING	2

## Parts List for DCH213L2 Type 1

Item Number	Part Number	Description	Qty Required
240	575021-00	COMPR. SPRING	1
241	492826-00	COLLAR	1
242	323763-10	SNAP RING	1
243	492828-00	GEAR	1
244	330003-40	BEARING,BALL	1
246	575022-00	PLATE	1
247	590312-00	PIN	1
250	492829-00	MOTOR ASSEMBLY	1
251	582865-00	FILTER	1
252	323711-34	RING,O	1
253	478898-00	LEVER ASSEMBLY	1
254	577802-00	SHIM WASHER	1
255	490129-00	SCREW	2
260	493511-00	BRUSH PAIR KIT	1
800	870889-03	GREASE	2
801	487130-04	GREASE	1
818	493152-03	LABEL	1
818	493152-00	LABEL	1
821	N051447	RATING PLATE	1
836	596007-99	SERVICE TOOL	1
836	596008-99	SERVICE TOOL	1
836	596005-99	SERVICE TOOL	1
836	596006-99	SERVICE TOOL	1
846	492804-00	SERVICE KIT	1
861	576657-05	KIT BOX	1
866	DCB200	BATTERY PACK	2
871	DCB101	CHARGER	1