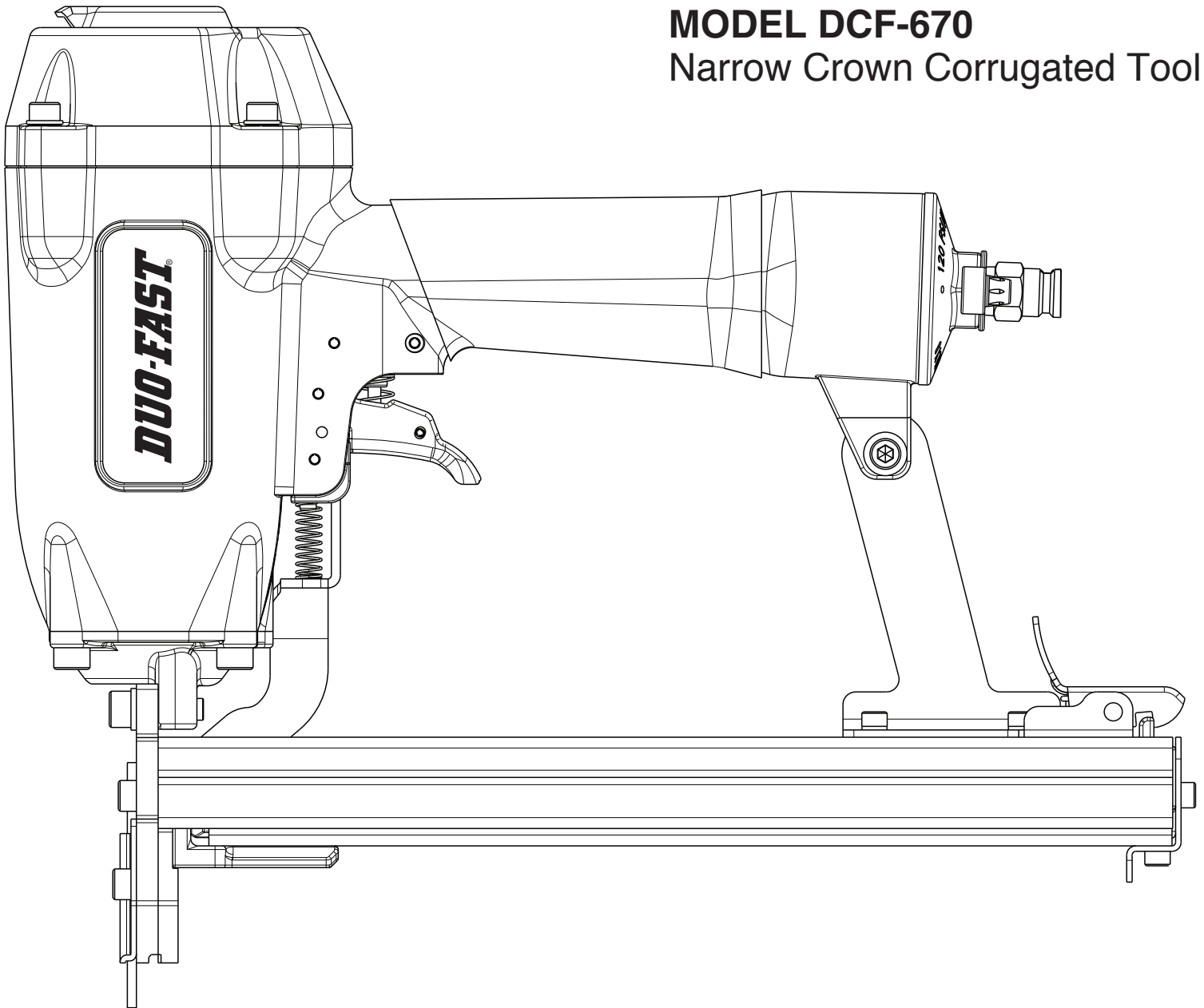


# ***DUO-FAST***<sup>®</sup>

## **MODEL DCF-670** Narrow Crown Corrugated Tool



### **IMPORTANT!**

#### **DO NOT DESTROY**

It is the customer's responsibility to have all operators and service personnel read and understand this manual.

## **SCHEMATIC AND PARTS**

Use Only Duo-Fast Fasteners: GC20N - 1/4"  
GC20N - 3/8"  
GC20N - 1/2"

# PARTS LEGEND

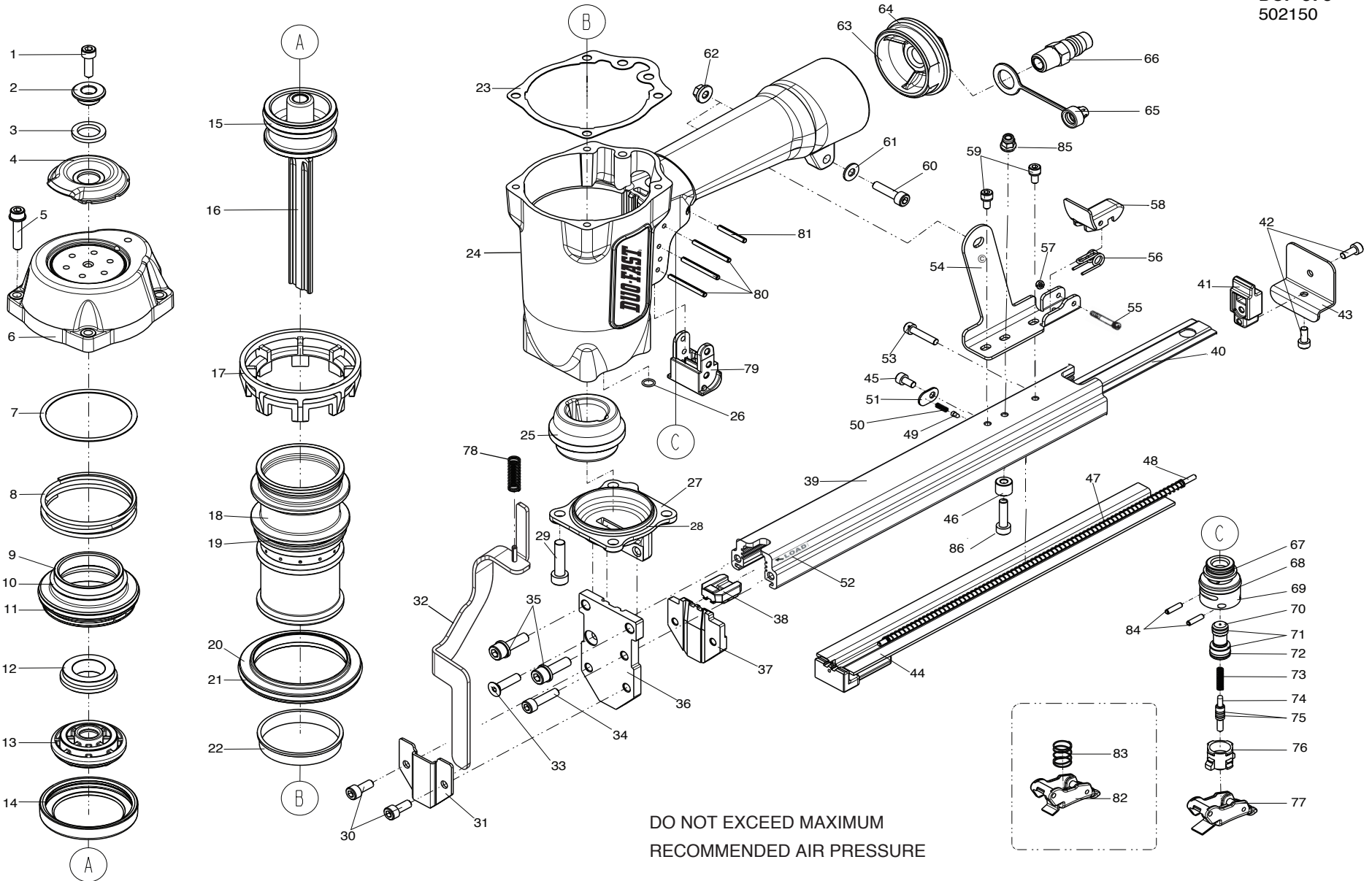
DCF-670, 502150

| KEY | PART # | QTY | DESCRIPTION          | KEY  | PART # | QTY | DESCRIPTION        |
|-----|--------|-----|----------------------|------|--------|-----|--------------------|
| 1   | 502493 | 1   | HEX.SOC.HD.BOLT      | 44   | 502541 | 1   | MAGAZINE ASSEMBLY  |
| 2   | 502494 | 1   | WASHER               | 45   | 502548 | 1   | HEX.SOC.HD.BOLT    |
| 3   | 502497 | 1   | RUBBER PAD           | 46   | 502530 | 1   | WASHER             |
| 4   | 502495 | 1   | DEFLECTOR            | 47   | 502544 | 1   | PUSHER SPRING      |
| 5   | 502499 | 4   | BOLT W/FLAT WASHER   | 48   | 502543 | 1   | ROD                |
| 6   | 502498 | 1   | CAP                  | 49   | 502549 | 1   | POSITIONING AXIS   |
| 7   | 502500 | 1   | WASHER               | 50   | 502550 | 1   | SPRING             |
| 8   | 502501 | 1   | COMPRESSION SPRING   | 51   | 502551 | 1   | GASKET             |
| 9   | 502502 | 1   | HD.VALVE PISTON      | 52   | 502732 | 1   | Label, Load        |
| 10  | 502503 | 1   | O-RING               | 53   | 502540 | 1   | HEX.SOC.HD.BOLT    |
| 11  | 502504 | 1   | O-RING               | 54   | 502539 | 1   | POSITIONING SHEET  |
| 12  | 502505 | 1   | SEAL GASKET          | → 55 | 502767 | 1   | SCREW, M3 0.5-20   |
| 13  | 502506 | 1   | SEAL                 | 56   | 502726 | 1   | SPRING             |
| 14  | 502507 | 1   | COLLAR               | → 57 | 502768 | 1   | LOCKNUT, M3 0.5    |
| 15  | 502509 | 1   | O-RING               | 58   | 502538 | 1   | LATCH              |
| 16  | 502510 | 1   | DRIVER UNIT          | 59   | 502529 | 2   | BOLT ASSY.         |
| 17  | 502515 | 1   | CYLINDER PRESS RING  | 60   | 502534 | 1   | HEX.SOC.HD.BOLT    |
| 18  | 502511 | 1   | CYLINDER             | 61   | 502535 | 1   | FLAT WASHER        |
| 19  | 502512 | 1   | O-RING               | 62   | 502429 | 1   | BOLT CAP           |
| 20  | 502513 | 1   | CYLINDER SPACER      | 63   | 502518 | 1   | END CAP            |
| 21  | 502514 | 1   | O-RING               | 64   | 502388 | 1   | O-RING             |
| 22  | 501915 | 1   | CYLINDER RING        | 65   | 501092 | 1   | DUST COVER         |
| 23  | 502508 | 1   | PACKING              | 66   | 501091 | 1   | AIR PLUG           |
| 24  | 502517 | 1   | TOOL HOUSING         | 67   | 501921 | 1   | O-RING             |
| 25  | 502496 | 1   | BUMPER               | 68   | 501922 | 1   | O-RING             |
| 26  | 502391 | 1   | O-RING               | 69   | 501923 | 1   | PLUNGER CAP        |
| 27  | 502519 | 1   | NOSE BASE            | 70   | 501924 | 1   | VALVE PLUNGER      |
| 28  | 502392 | 1   | O-RING               | 71   | 501925 | 2   | O-RING             |
| 29  | 502525 | 4   | HEX.SOC.HD.BOLT      | 72   | 501926 | 1   | O-RING             |
| 30  | 502524 | 2   | HEX.SOC.HD.BOLT      | 73   | 501927 | 1   | SPRING             |
| 31  | 502522 | 1   | RELIEF PLATE         | 74   | 501928 | 1   | PLUNGER            |
| 32  | 502733 | 1   | W.C.E., W/ PIN ASSY. | 75   | 500999 | 2   | O-RING             |
| 33  | 502528 | 1   | COUNTER SUNK SCREW   | 76   | 501929 | 1   | TRIGGER VALVE HEAD |
| 34  | 502523 | 1   | HEX.SOC.HD.BOLT      | 77   | 502516 | 1   | TRIGGER UNIT       |
| 35  | 502532 | 2   | BOLT ASSY.           | 78   | 502533 | 1   | SAFETY SPRING      |
| 36  | 502520 | 1   | DRIVER GUIDE COVER   | 79   | 502395 | 1   | SAFETY GUIDE       |
| 37  | 502526 | 1   | DRIVER GUIDE         | 80   | 501931 | 3   | SPRING PIN         |
| 38  | 502542 | 1   | PUSHER               | 81   | 501998 | 1   | SPRING PIN         |
| 39  | 502527 | 1   | MAGAZINE B           | 82   | 502554 | 1   | SEQUENTIAL TRIGGER |
| 40  | 502547 | 1   | STOPPER              | 83   | 501932 | 1   | SPRING             |
| 41  | 502546 | 1   | STOPPER              | 84   | 501930 | 2   | SPRING PIN         |
| 42  | 502725 | 2   | HEX.SOC.HD.BOLT      | 85   | 502712 | 1   | NUT, M4 X .7       |
| 43  | 502545 | 1   | REAR PLATE           | 86   | 501127 | 1   | BOLT, M4 X.7 X 16  |

→ DENOTES NEW CHANGE

\* DENOTES NORMAL WEAR ITEMS

DCF- 670  
05/08 (4)



DO NOT EXCEED MAXIMUM  
RECOMMENDED AIR PRESSURE

Operate the tool using only the recommended air pressure. Do not exceed the maximum air pressure marked on the tool. Be sure the air pressure gauge is operating properly and check it at least twice a day.

Never use any bottled air or gases such as oxygen to operate the tool since they could cause the tool to explode.

**DCF-670**

Always Wear  
Safety Glasses



When Using  
Power Tools  
402510

TOOLS MUST BE REPAIRED ONLY  
WITH FACTORY AUTHORIZED PARTS  
SIEMPRE REPARA LAS HERRAMIENTAS  
SOLAMENTE CON PARTES DE REPUESTO  
AUTORIZADAS POR DUO-FAST

**SERVICE & REPAIR:  
SERVICIO Y REPARACION:**

This tool must not be disassembled, serviced, repaired or reassembled by anyone except qualified DUO-FAST service personnel. Incorrect servicing, repairs and assembly of this tool may result in serious injury to the user and/or damage to the tool. Your DUO-FAST Distributor/Dealer is ready to help with any service or repair problems you may have.

Esta herramienta debe ser exclusivamente desarmada, mantenida, reparada o armada por el personal de servicio capacitado de DUO-FAST. El servicio, las reparaciones y el armado incorrectos de esta herramienta pueden producir lesiones graves al usuario y danos a la herramienta. Su distribuidor/concesionario de DUO-FAST esta listo para ayudarle con todo tipo de servicio o con cualquier problema de reparaciones que se le ofrezca.

**For the DUO-FAST Warranty & Service Partner in your area, call: 1-888-DUO-FAST (386-3278).**

**Para obtener su Garantía de DUO-FAST y el Centro Asociado de Servicio más cercano a su área, llame al: 1-888-DUO-FAST (386-3278).**

**CLEARING A JAM:  
DES OBSTRUCCIÓN DE UN ATASCAMIENTO:**

Damaged parts, non-DUO-FAST manufactured fasteners and excessive dirt build up are the major causes of fastener jams. Las piezas dañadas, los clavos que no hayan sido fabricados por DUO-FAST y el exceso de suciedad acumulada son las causas principales de que se traben clavos.

Follow this procedure if a jam should occur:  
Siga este método si se produce un trabado:

- Disconnect air supply hose.
- Desconecte la manguera de suministro de aire.
  
- Open magazine.
- Abra el cargador.
  
- Remove all fasteners from tool.
- Quite todos los clavos de la herramienta.
  
- Push driver blade up with screwdriver or drift pin. An old driver blade may
- Empuje la cuchilla impulsora de la herramienta hacia arriba con un destornillador o cincel. También se puede usar una cuchilla impulsora vieja.
  
- The jammed fastener can now be easily removed with a pair of pliers.
- El clavo trabado podrá quitarse ahora con facilidad con unas pinzas.
  
- Reload fasteners.
- Recargue los clavos.
  
- Reconnect air supply hose.
- Vuelva a conectar la manguera de suministro de aire.

**NOTE:** If tool continues to jam, take it out of service immediately and have it serviced by an authorized service center.  
**NOTA:** Si la herramienta sigue trabándose, desconéctela inmediatamente y llévela a repararla a un centro de servicio autorizado.

**ITW INDUSTRIAL FASTENING**  
2400 GALVIN DRIVE  
ELGIN, ILLINOIS 60124-9943  
U.S.A.