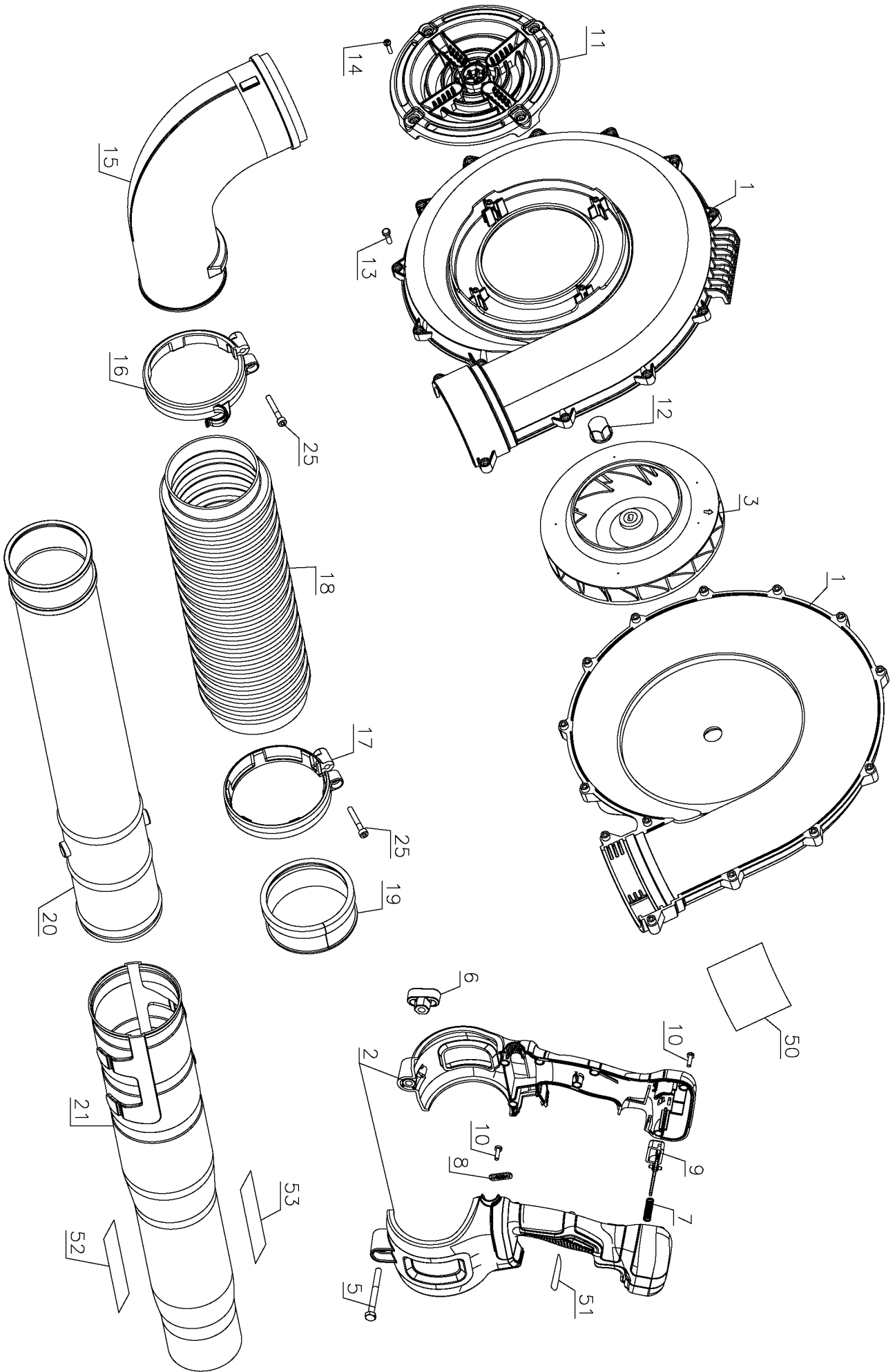


DATE CODE



Parts List for DCBL590B Type 1

Item Number	Part Number	Description	Qty Required
1	90607196	BLOWER HOUSING	1
2	90613350	HANDLE ASSEMBLY	1
3	90607203	FAN ASSEMBLY	1
4	90624808	MOTOR & SWITCH ASSY.	1
5	90624618	BOLT,HEX HEAD	1
6	90623499	KNOB	1
7	90623558	ACTUATOR SPRING	1
8	329301-00	CLAMP,CORD	2
9	90622046	BUTTON ACTUATOR	1
10	330019-02	SCREW,PLASTITE	11
11	90617341	INTAKE COVER	1
12	90556361	LOCK NUT	1
13	330019-12	SCREW	14
14	330019-03	SCREW,PLASTITE	28
15	90617484	TUBE	1
16	90622501	HOSE CLAMP	1
17	90623557	HOSE CLAMP	1
18	90617485	TUBE	1
19	90617486	TUBE SLEEVE	1
20	90617487	BLOWER TUBE	1
21	90623554	LOWER BLOW TUBE	1
22	90624396	CLAMP	1
23	90632549	SHAFT ASSEMBLY	1
24	330019-41	SCREW	3
25	90627088	SCREW-SOC HD. CAP M5	2
26	90609683	WAVE WASHER	1
27	90620778	GEARCASE	1

Parts List for DCBL590B Type 1

Item Number	Part Number	Description	Qty Required
28	90624624	PULLEY ASSEMBLY	1
29	90620779	BELT COVER	1
30	90624616	DRIVE BELT	1
31	90606556	LATCH BUTTON	2
32	90606555	BATTERY LATCH	2
33	90607202	BATTERY HOUSING	1
34	90630189	FLANGED HEX NUT	10
35	90609272	T-NUT	4
36	90620719	UPPER GUARD	1
37	90620718	SUBFRAME	1
38	90620717	BACKPLATE	1
39	90623503	SCREW-BUTTON HD	4
40	90623502	SCREW-BUTTON HD	14
42	330021-07	STOP NUT	4
44	90633347	CARRY STRAP	1
45	90633348	CARRY STRAP	1
46	90633349	PAD	1
50	90628442	RATING LABEL	1
51	90628443	LABEL	1
52	90628444	LABEL	1
53	90628445	LABEL	1
866	DCB407	BATTERY	1
871	DCB114	CHARGER	1