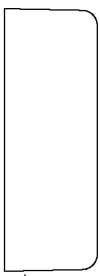
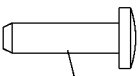


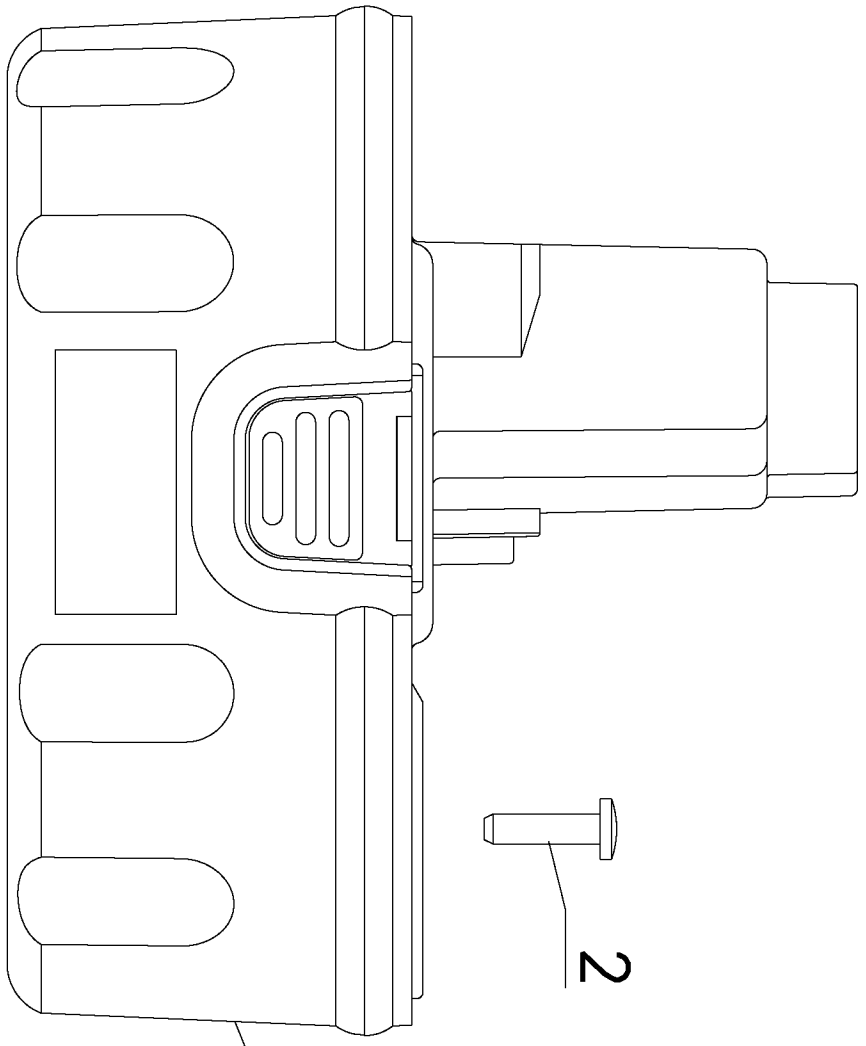
1



3



2



1

## Parts List for DC9071 Type 1

Item Number	Part Number	Description	Qty Required
1	622958-00	REPAIR KIT	1
2	153007-00	SCREW	5
3	645221-00	BATTERY CAP	1