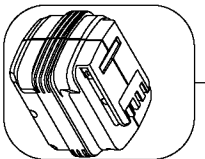
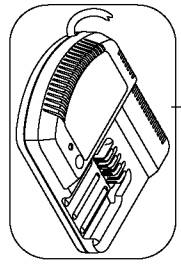


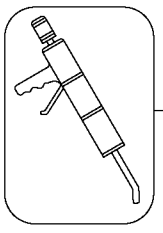
861



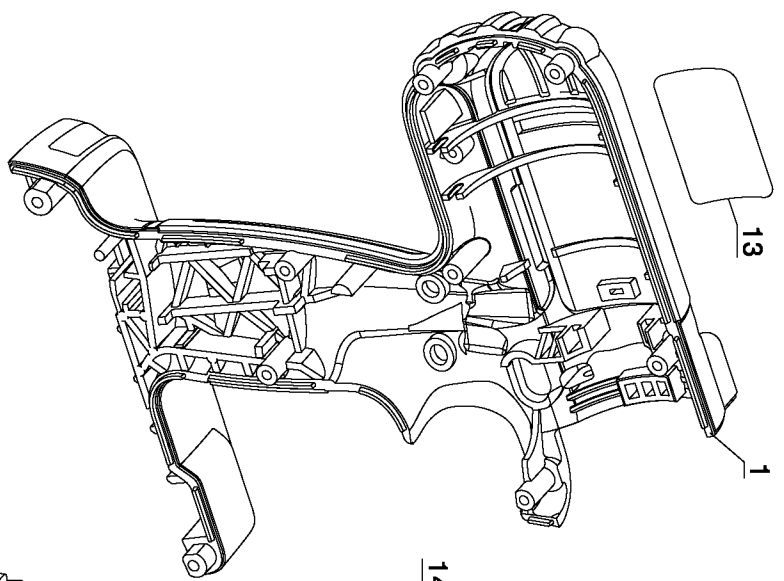
866



871

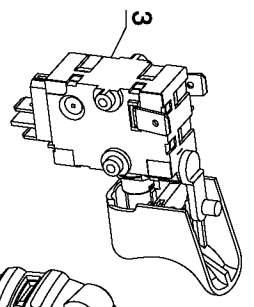


800

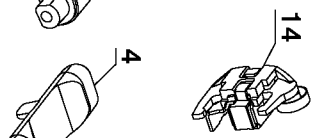


13

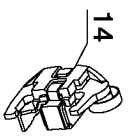
1



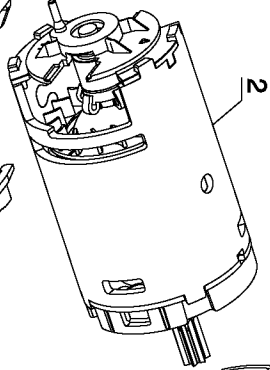
3



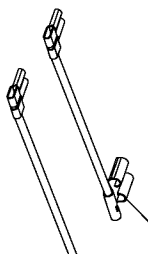
4



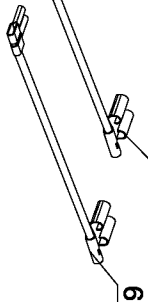
14



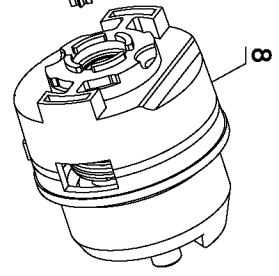
2



5



6

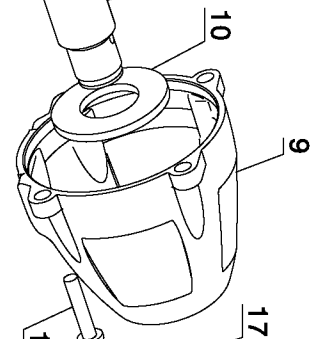


8



11

10



9

17

12

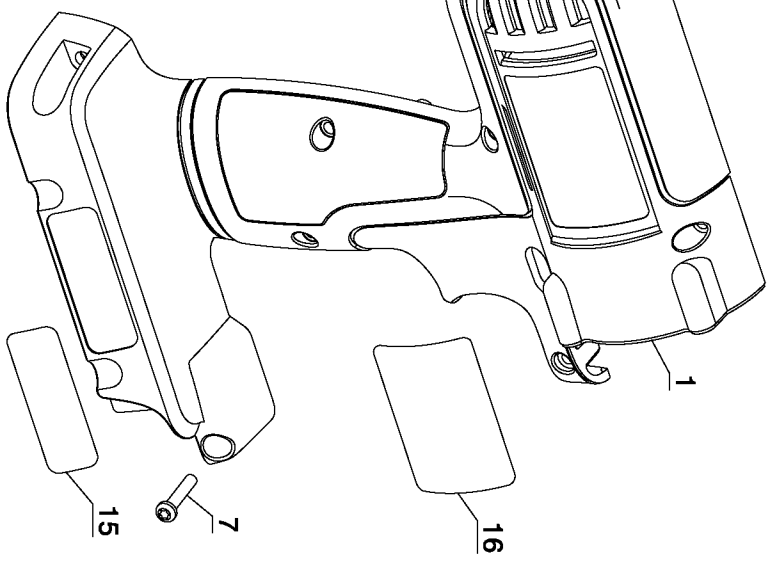


18

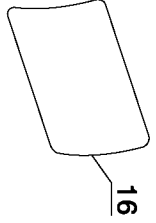
19

20

21



1



16



7

15

## Parts List for DC815KL Type 1

Item Number	Part Number	Description	Qty Required
1	640638-01	CLAMSHELL SET	1
2	640641-01	MOTOR&PINION	1
3	640649-02	SWITCH ASSEMBLY	1
4	634728-00	FWD/REV BUTTON	1
5	631282-01	LEADWIRE ASSY.	1
6	631283-00	LEAD WIRE	1
7	682211-00	SCREW,TORX	7
8	640647-00SV	MECHANISM ASSY	1
9	607993-00SV	HOUSING	1
10	605854-00	WASHER	1
11	605855-00	ANVIL	1
12	330019-52	SCREW PLASTITE	6
13	395657-00	ID LABEL	1
14	389025-04	BRUSH PAIR KIT	1
15	000000-00	No Longer Available	1
16	658862-00	NAMEPLATE	1
17	696631-00	BALL	1
18	642879-00	SLEEVE	1
19	151359-00	SPRING	1
20	617784-00	PLAIN WASHER	1
21	610298-00	RETAINING RING	1
800	286436-00	GREASE	1
800	284778-00	GREASE,MOLYKOTE	1
861	652203-00	KITBOX	1
866	DC9280	BATTERY PACK	2
871	DC9000	CHARGER	1