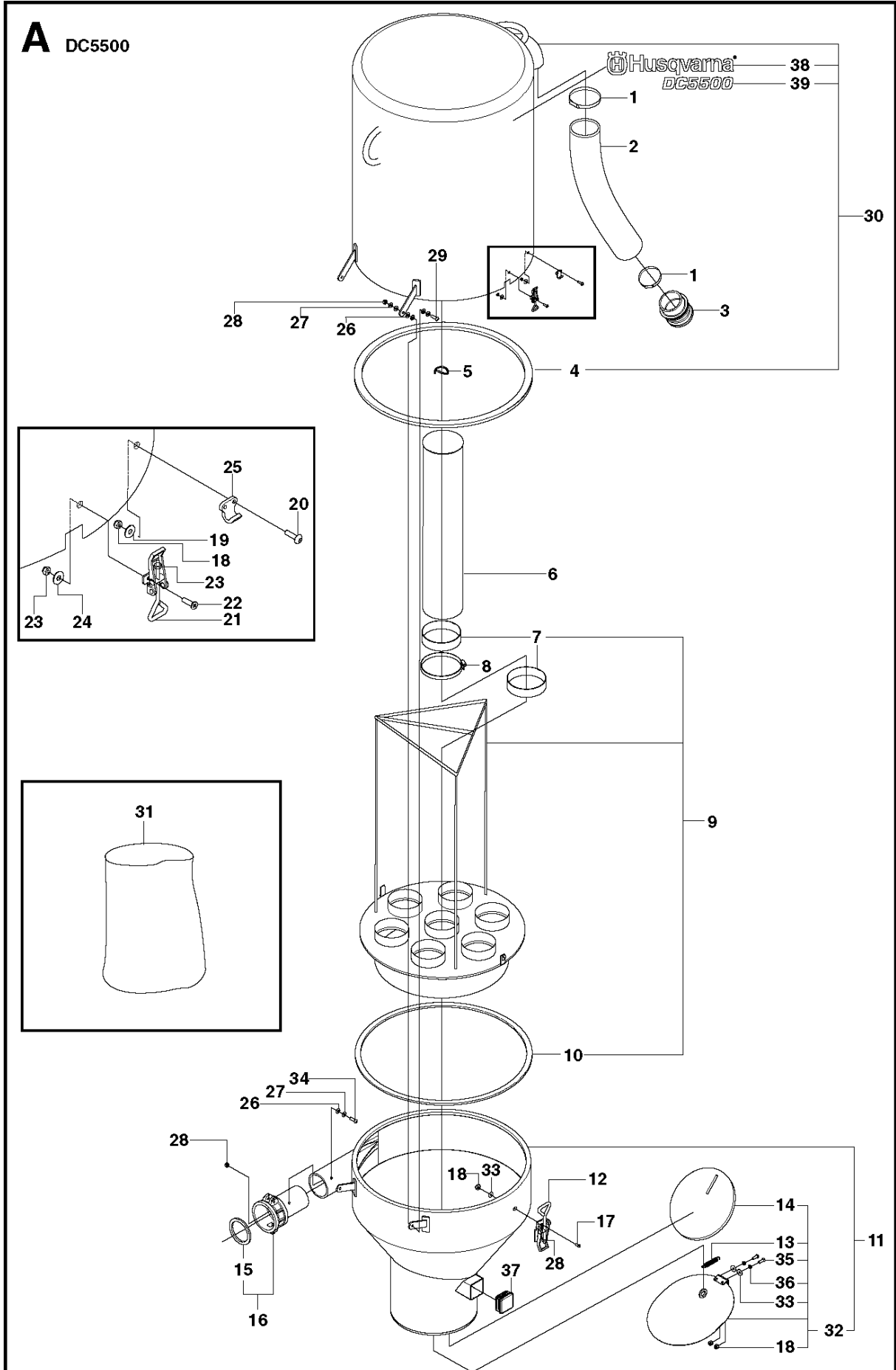




SPARE PARTS LIST

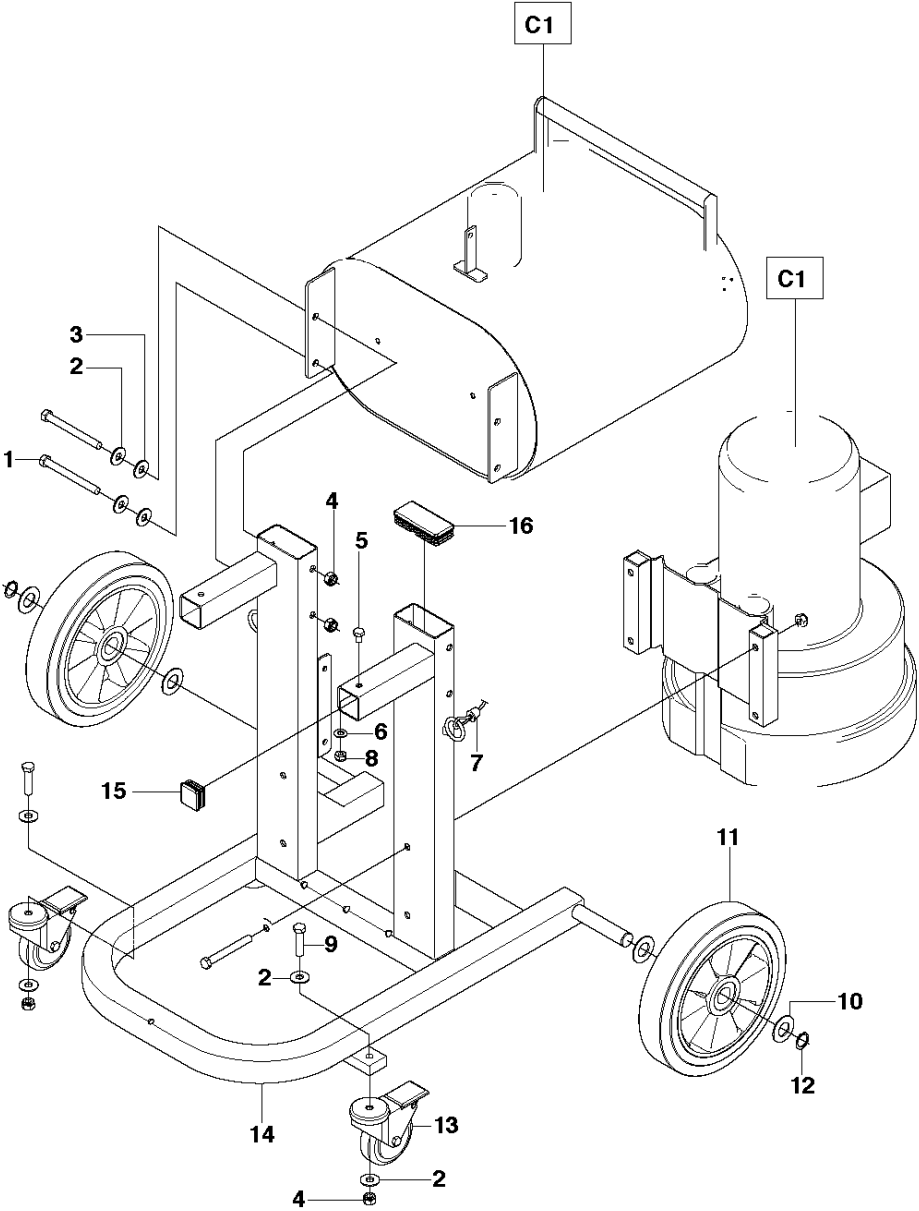
SURFACE PREPARATION EQUIPMENT

DC 5500, Machine 0906-1 and forward,
2012-05

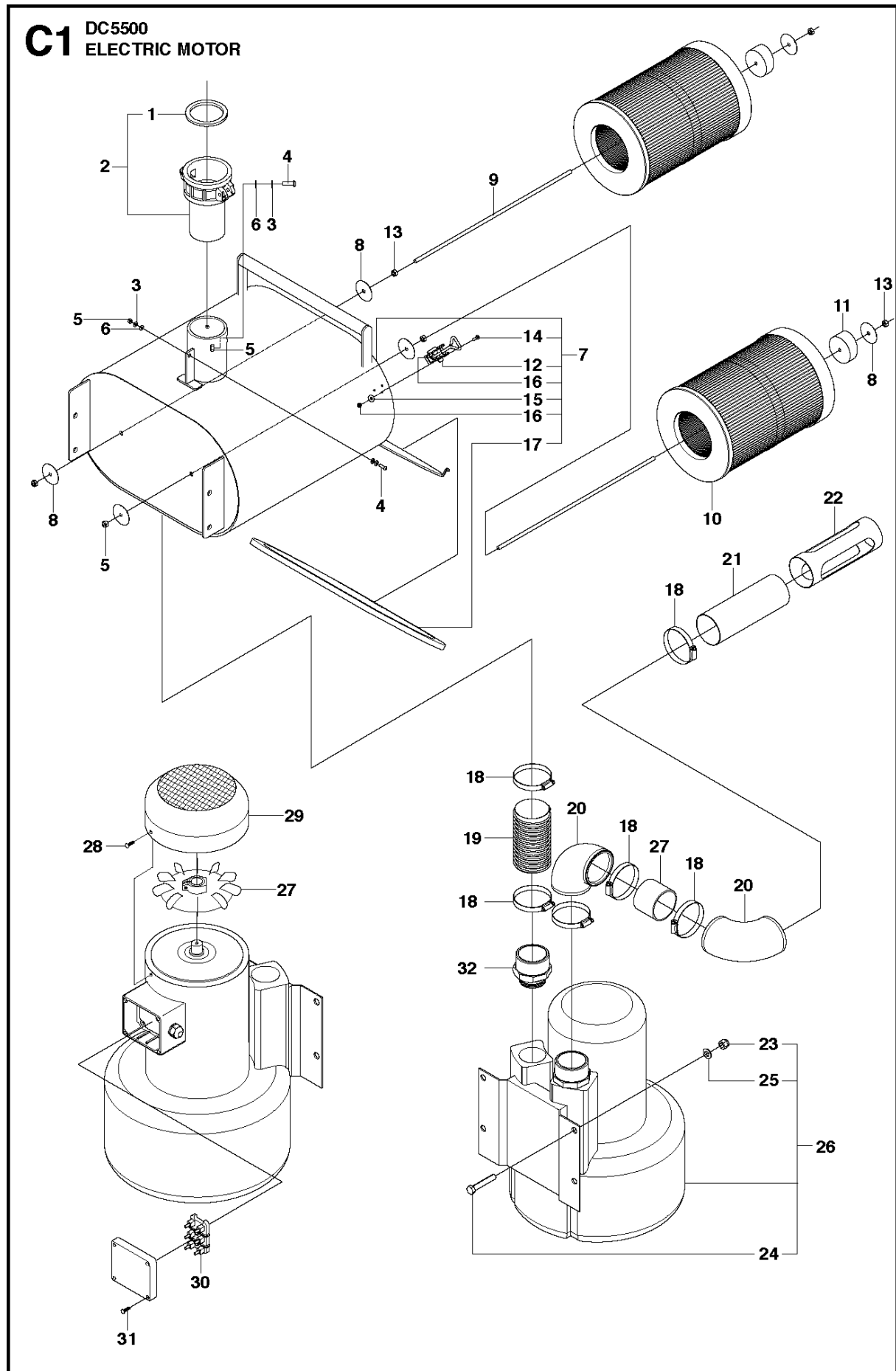


Ref	Part no.	Description	Remark	Qty	Kit
1	502 56 96-05	SLANGKLÄMMA		2	
2	515 98 37-01	SLANG		1	
3	502 56 96-03	KOPPLING		1	
4	502 56 83-01	SEAL		1	30
5	543 85 00-17	SIDOLÄNK		7	
6	502 56 93-01	FILTER		7	
7	502 56 94-01	SATS	INCLUDES 7 ITEMS	1	
8	502 56 93-03	SLANGKLÄMMA		7	
9	515 98 39-01	KUGGSTÅNG		1	
10	502 56 87-01	SEAL		1	9
11	575 29 75-01	KONA		1	
12	502 57 00-02	SPÄRRHAKE		2	
13	502 56 84-04	FJÄDER		1	11,32
14	502 56 84-05	SEAL		1	11,32
15	502 53 40-05	GUMMIRING		1	16
16	502 56 96-04	KOPPLING		1	
17	724 33 70-51	SKRUV CRCSFM		4	
18	732 25 16-01	HEXAGON LOCKING NUT		10	11,32
19	734 11 52-01	BRICKA		4	
20	504 75 90-01	SKRUV IHANM		4	
21	502 57 00-03	SPÄRRHAKE		2	
22	724 33 29-51	SKRUV CRCSFM		4	
23	732 25 14-01	HEXAGON LÅSMUTTER		6	
24	734 11 47-41	BRICKA		4	
25	502 57 00-04	KROK		2	
26	734 11 63-60	BRICKA		8	
27	734 11 63-01	BRICKA		6	
28	732 25 18-01	HEXAGON LOCKING NUT		6	
29	541 40 48-15	SKRUV IHANM		2	
30	515 98 38-01	HUS		1	
31	502 57 01-01	BAGS	INCLUDES 200 ITEMS	1	
32	574 62 03-01	KLAFF		1	
33	734 11 54-41	BRICKA		6	11,32
34	504 75 02-01	SKRUV IHANM		2	
35	541 40 51-78	SKRUV IHANM		2	11,32
36	735 11 53-01	BRICKA		2	11,32
37	504 75 97-01	HATT		2	
38	525 48 88-02	DEKAL		2	30
39	525 48 86-01	DEKAL		2	30

B DC5500
CHASSIS



Ref	Part no.	Description	Remark	Qty	Kit
1	725 25 58-51	SKRUV EHHM		4	
2	734 11 78-01	BRICKA		8	
3	734 11 78-60	BRICKA		4	
4	732 25 22-01	HEXAGON LOCKING NUT		6	
5	725 24 93-76	SKRUV EHHM		2	
6	734 11 72-01	BRICKA		2	
7	502 57 02-01	SPÄNNBAND		1	
8	732 25 20-01	HEXAGON LOCKING NUT		2	
9	725 25 42-71	SKRUV EHHM		2	
10	504 75 14-01	BRICKA		4	
11	502 54 50-01	HJUL		2	
12	735 31 26-00	SPÄRRING		2	
13	502 56 91-01	HJUL		2	
14	502 56 89-01	CHASSI		1	
15	504 75 97-01	HATT		2	
16	504 75 31-01	HATT		2	

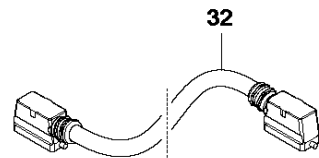
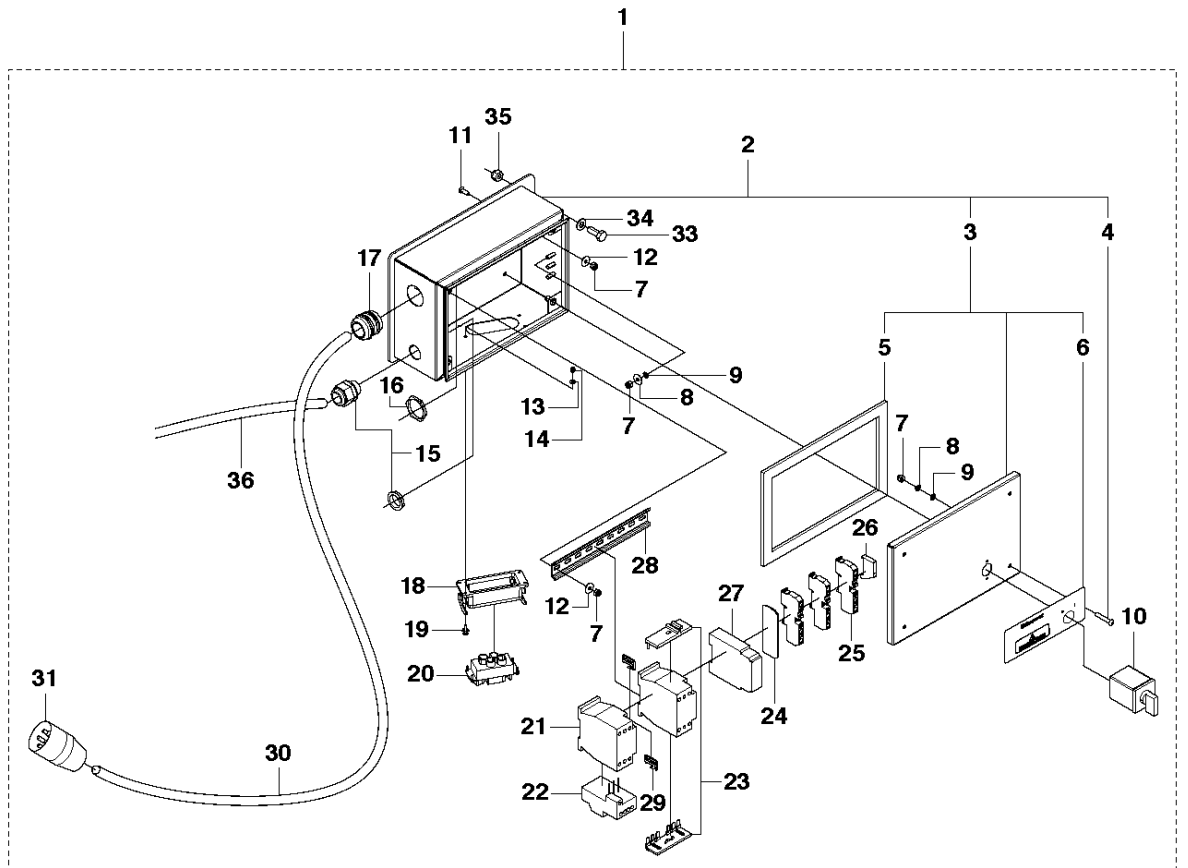


ELECTRIC MOTOR

DC 5500, Machine 0906-1 and forward, 2012-05

Ref	Part no.	Description	Remark	Qty	Kit
1	502 53 40-05	GUMMIRING		1	2
2	502 56 96-04	KOPPLING		1	
3	734 11 63-01	BRICKA		4	
4	504 75 02-01	SKRUV IHANM		3	
5	732 25 18-01	HEXAGON LOCKING NUT		5	
6	734 11 63-60	BRICKA		4	
7	575 29 76-01	FILTER HOUSING		1	
8	504 76 20-01	BRICKA		6	
9	502 56 88-04	STÅNG		2	
10	502 56 95-01	FILTER		2	
11	515 98 41-01	BRICKA		2	
12	502 57 00-03	SPÄRRHAKE		2	7
13	731 23 18-01	MUTTER (HEXAGON)		4	
14	724 33 29-51	SKRUV CRCSFM		4	7
15	734 11 47-41	BRICKA		4	7
16	732 25 14-01	HEXAGON LÅSMUTTER		6	7
17	502 56 83-01	SEAL		1	7
18	502 56 96-05	SLANGKLÄMMA		6	
19	515 98 42-01	SLANG		1	
20	504 73 18-01	GUMMISLANG		2	
21	504 73 20-05	SKYDD		1	
22	504 73 20-01	AVGASRÖR KPL		1	
23	732 25 22-01	HEXAGON LOCKING NUT		4	
24	725 25 46-51	SKRUV EHHM		4	
25	734 11 78-01	BRICKA		4	
26	575 29 77-01	ELMOTOR		1	
27	575 43 90-01	FLÄKT		1	
28	724 12 87-51	SKRUV		4	
29	575 43 89-01	FLÄKTKÅPA		1	
30	575 43 91-01	KOPPLINGSPLINT		1	
31	724 12 91-51	SKRUV CRPANM		4	
32	504 75 99-01	ADAPTER		2	

C2 DC5500
ELECTRIC BOX

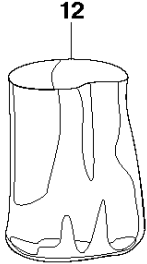
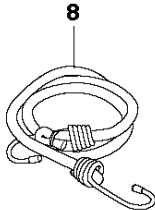
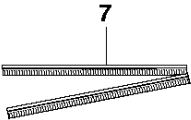
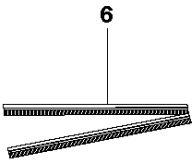
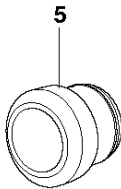
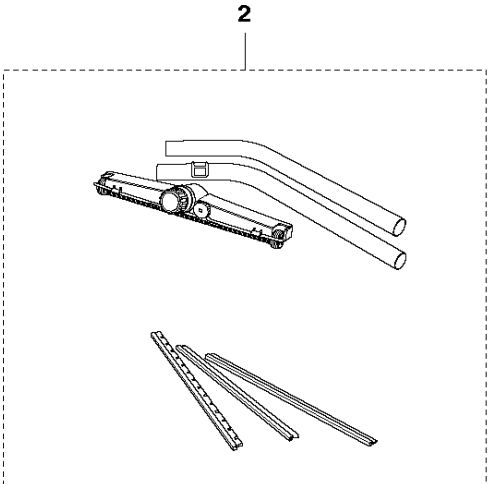
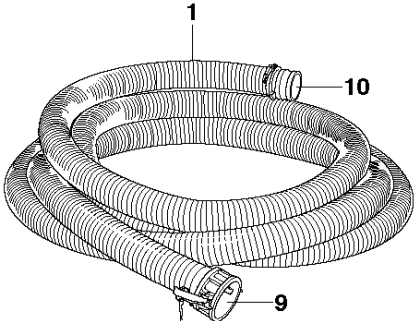


ELECTRIC BOX

DC 5500, Machine 0906-1 and forward, 2012-05

Ref	Part no.	Description	Remark	Qty	Kit
1	575 31 54-01	ELECTRIC BOX	AU	1	
1	575 31 54-02	ELECTRIC BOX	EU	1	
1	575 31 54-03	ELECTRIC BOX	US	1	
1	575 31 54-04	ELECTRIC BOX	JP	1	
2	575 31 60-01	ELECTRIC BOX		1	
2	577 20 59-01	TBD	JP	1	
3	575 31 57-01	TÄCKLOCK KPL		1	4
4	504 75 91-01	SKRUV IHANM		4	4
5	502 56 87-01	SEAL		1	4.10
6	504 76 09-01	DEKAL		1	4.10
7	732 25 16-01	HEXAGON LOCKING NUT		11	
8	734 11 52-01	BRICKA		5	
9	735 21 53-01	LÄSBRICKA		5	
10	522 89 78-01	BRYTARE		1	
11	541 40 51-78	SKRUV IHANM		4	
12	734 11 54-41	BRICKA		6	
13	734 11 36-01	BRICKA		4	
14	732 25 12-01	HEXAGON LOCKING NUT		4	
15	516 06 18-01	GENOMFÖRING		1	
16	510 43 18-02	MUTTER		1	
17	525 57 03-02	GENOMFÖRING		1	
18	516 06 06-01	HUS		1	
19	724 12 93-51	SKRUV CRPANM		4	
20	504 76 26-01	KOPPLING		1	
21	522 89 74-01	KONTAKTOR		2	
21	576 93 37-01	KONTAKTOR	JP	2	
22	522 89 75-01	RELÄ		1	
22	576 93 38-01	RELÄ	JP	1	
23	504 76 05-02	KABLAGE		1	
24	522 86 89-02	TÄCKPLATTA		1	
24	577 15 77-01	TÄCKPLATTA	JP	1	
25	522 89 77-01	KOPPLINGSPLINT		3	
25	577 15 74-01	KOPPLINGSPLINT	JP	3	
26	504 73 99-01	ÖVERFALL		1	
27	522 89 76-01	RELÄ		1	
28	525 83 71-01	BALK		1	
29	504 76 05-03	LÄS		1	
30	515 98 59-01	KABEL	CE	1	
30	515 98 59-02	KABEL	UL	1	
30	577 20 55-01	KABEL	JP	1	
31	531 11 71-36	PLUGG	EU	1	
31	502 54 40-01	PLUGG	AU	1	
31	576 93 41-01	PLUGG	JP	1	
31	581 13 63-01	PLUGG		1	
32	575 31 55-01	EXTENSION LEAD	CE	1	
32	575 31 55-02	EXTENSION LEAD	UL	1	
32	577 20 58-01	TBD	JP	1	
33	725 24 93-76	SKRUV EHHM		2	1
34	734 11 72-01	BRICKA		2	1
35	732 25 20-01	HEXAGON LOCKING NUT		2	1
36	575 33 80-01	KABEL	CE	1	
36	575 33 80-02	KABEL		1	

D DC5500
ACCESSORIES



TILLBEHÖR

DC 5500, Machine 0906-1 and forward, 2012-05

Ref	Part no.	Description	Remark	Qty	Kit
1	525 58 46-01	SLANGSATS	"3""	1	
2	585 87 09-01	VERKTYG		1	
5	505 53 94-01	ADAPTER	Diam 38mm, Valid to 2013-10	1	
5	585 64 76-01	ADAPTER	Diam 42mm, Valid from 2013-10 and forward	1	
6	510 27 85-01	VERKTYG		1	
7	521 91 21-01	RESERVDELAR		1	
8	502 57 02-01	SPÄNNBAND		1	
9	502 56 96-04	KOPPLING		1	
10	502 56 96-03	KOPPLING		1	
11	502 56 96-05	SLANGKLÄMMA		1	
12	502 57 01-01	BAGS	INCLUDES 200 ITEMS	1	