

856



800

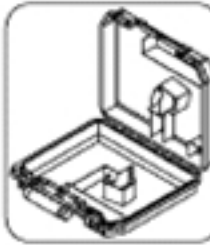


867

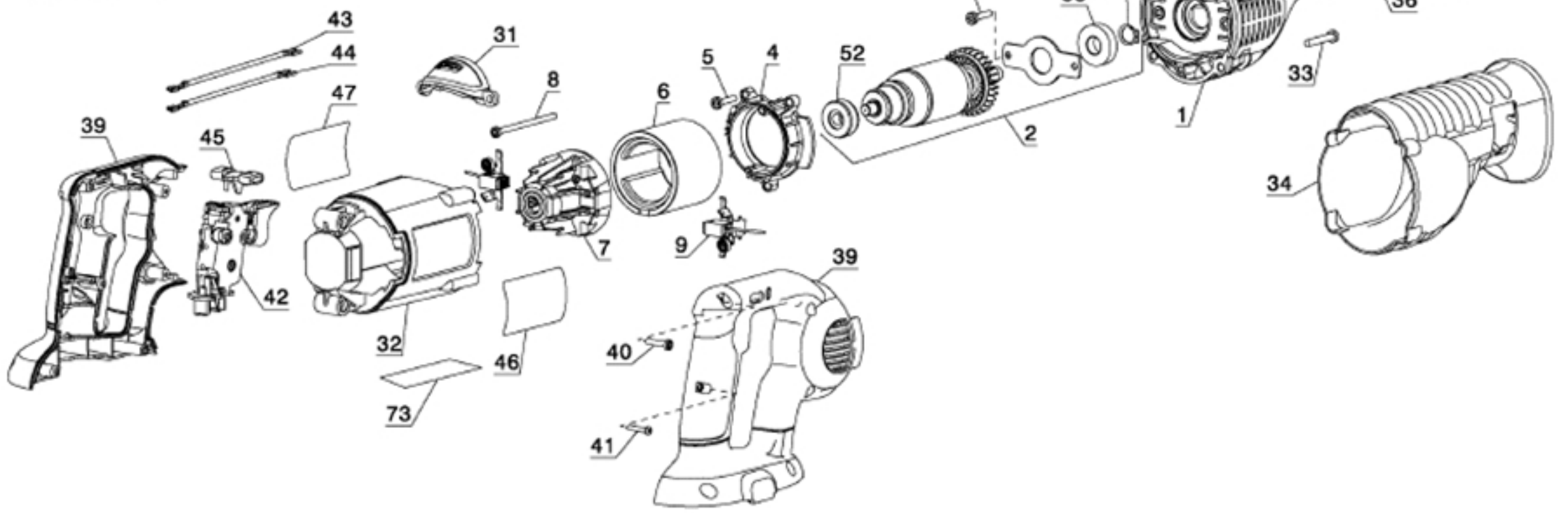
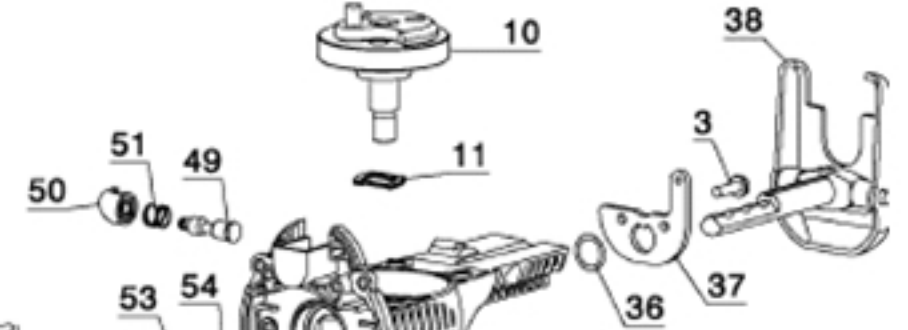
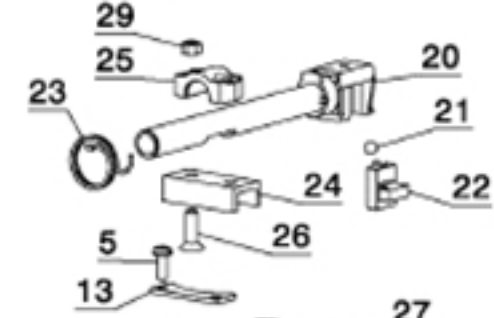
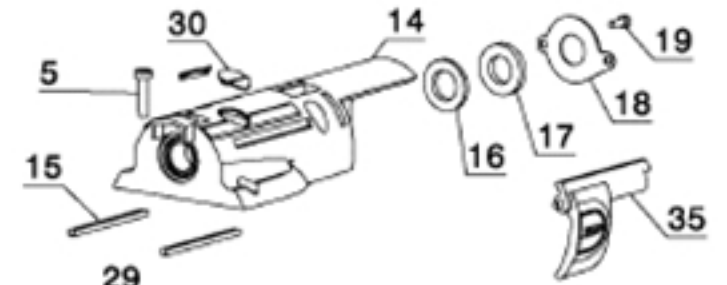
866



871



861



### Parts List for DC385B Type 3

Item Number	Part Number	Description	Qty Required
1	613138-00SV	GEAR CASE ASSY.	1
2	N415904	ARMATURE & BRGS	1
3	142940-00	SCREW	2
4	N340319	FAN BAFFLE	1
5	613619-00	SCREW,THD.FORM	6
6	N234639	MAGNET RING	1
7	N412223	BRUSH HOLDER ASSY	1
8	N389143	THREAD FORMING SCREW	2
9	330045-06	SCREW	3
10	615940-00SV	GEAR & SPINDLE	1
11	619618-00	WAVY WASHER	1
12	622484-00	FLAT HD SCREW	3
13	621173-00	SUPPORT PLATE	1
14	N027851SV	GEARCASE COVER	1
15	621979-00	WEAR STRIP	2
16	618733-00	SHAFT SEAL	1
17	618477-00	FELT SEAL	1
18	N020720	SEAL PLATE	1
19	330045-43	SCREW,TAPTITE	1
20	N026647	SHAFT SERVICE KIT	1
21	000903-00	BALL	1
22	622647-00	SLIDER	1
23	622659-00	TORSION SPRING	1
24	N026647	SHAFT SERVICE KIT	1
25	617000-00	SADDLE	1
26	622486-00	FLAT HD SCREW	2
27	N063272	GASKET	1

### Parts List for DC385B Type 3

Item Number	Part Number	Description	Qty Required
28	N021857	BEARING	1
29	622485-00	LOCKNUT	2
30	621927-00	COVER	2
32	N264499	MOTOR HOUSING	1
33	330019-45	SCREW	4
34	N084697	BOOT	1
35	617208-00SV	LEVER	1
36	50049-00	O RING	1
37	617008-00	BRACKET	1
38	623511-00SV	SHOE ASSEMBLY	1
39	N104712	HANDLE ASSEMBLY	1
40	330019-04	SCREW,PLASTITE	6
41	682211-00	SCREW,TORX	1
42	152274-15	SWITCH,VSR	1
43	N399624	LEADWIRE ASSY.	1
44	N399625	LEADWIRE ASSY.	1
45	607100-00	LOCK-OFF BUTTON	1
47	614878-00	LABEL, IDENT	1
48	330045-45	SCREW	2
49	615983-00	LOCK PIN	1
50	617733-00	CAP	1
51	618427-00	SPRING	1
73	N238759	WARNING LABEL	1
800	286436-00	GREASE, 500GRAMS	1
861	N152704	KITBOX	1
866	DC9096	BATTERY PACK	1
867	645221-00	BATTERY CAP	1

### Parts List for DC385B Type 3

Item Number	Part Number	Description	Qty Required
871	388683-12	1 HOUR CHARGER	1