

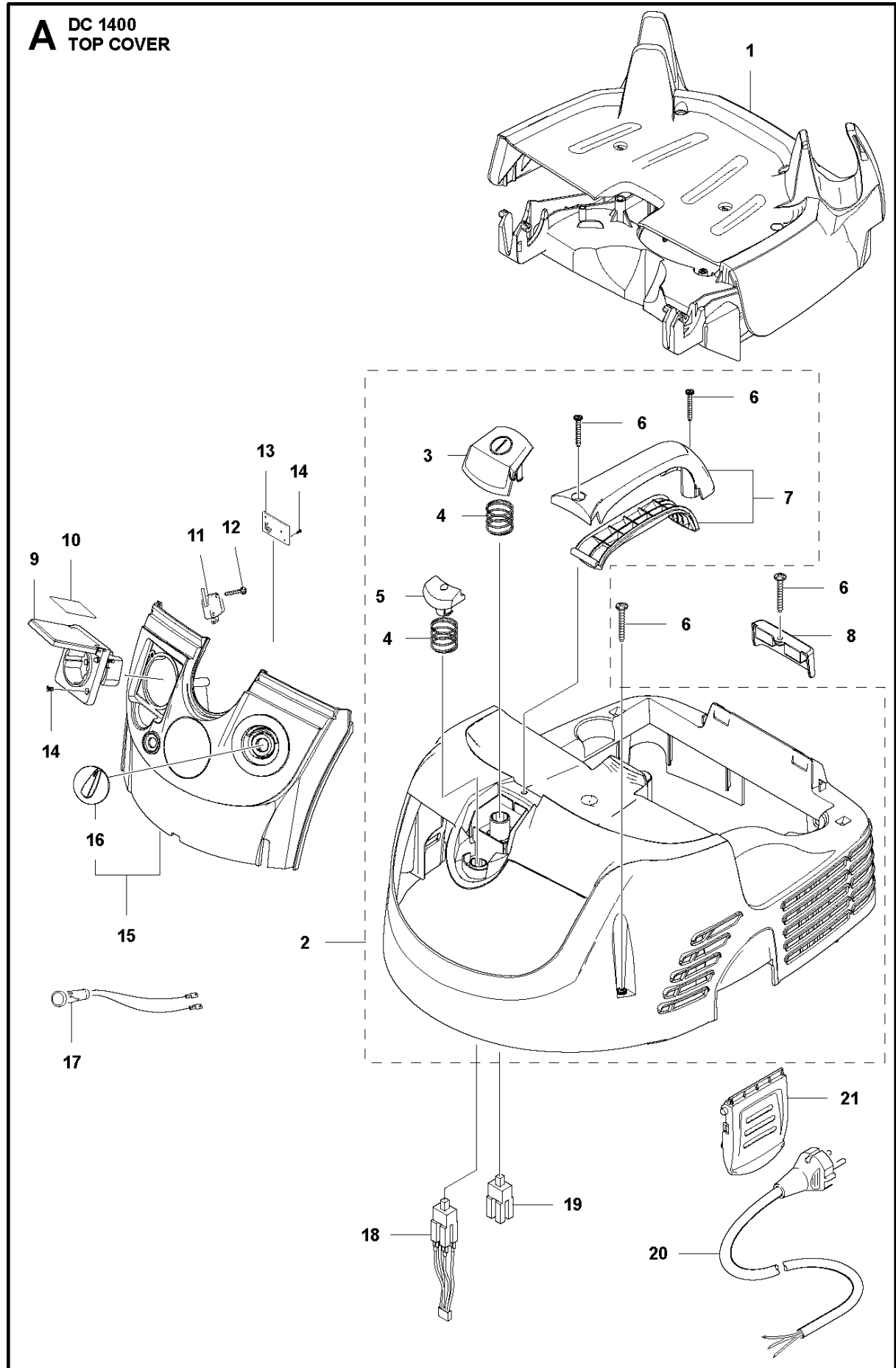


# SPARE PARTS LIST

SURFACE PREPARATION EQUIPMENT

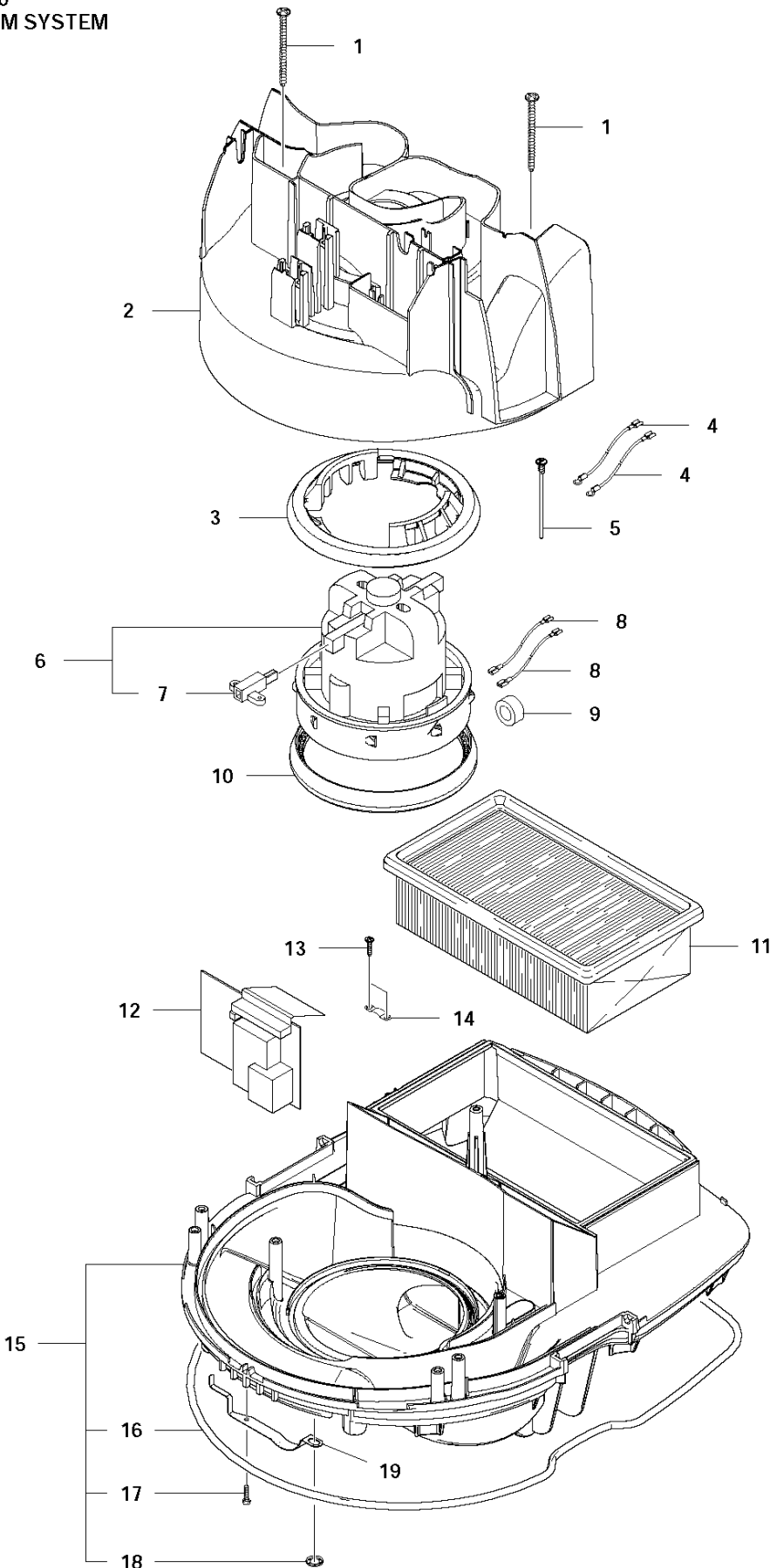
DC 1400, 2011-11

**A** DC 1400  
TOP COVER



Ref	Part No	Description	Remark	QTY	KIT
1	579 49 39-01	DOOR ASSY		1	
2	579 49 40-01	HOUSING ASSY		1	
2	579 49 40-02	HOUSING ASSY	UK, JP (Without power outlet)	1	
3	579 49 41-01	PUSH BUTTON		1	2
4	579 49 42-01	SPIRAL SPRING		2	2
5	579 49 76-01	PUSH BUTTON		1	2
6	579 49 45-01	SCREW		5	2
7	579 49 70-01	HANDLE ASSY		1	2
8	579 49 43-01	COVER		1	
9	579 49 46-01	SOCKET		1	
9	579 49 46-02	SOCKET	US	1	
9	579 49 46-03	SOCKET	AUS	1	
10	579 49 56-01	LABEL		1	
10	579 49 56-03	LABEL	US	1	
10	579 49 56-04	LABEL	AUS	1	
11	579 49 61-01	MICRO SWITCH		1	
12	579 49 64-01	SCREW		1	
13	579 49 66-01	CIRCUIT BOARD ASSY		1	
14	579 49 59-01	SCREW		7	
15	579 49 77-01	CONTROL PANEL SYSTEM		1	
16	579 49 78-01	WING KNOB		1	
17	579 49 80-01	LAMP		1	
18	579 49 82-01	SWITCH KIT		1	
19	579 49 83-01	SWITCH		1	
20	579 49 84-01	CABLE ASSY		1	
20	579 49 84-02	CABLE ASSY	US	1	
20	579 49 84-03	CABLE ASSY	UK	1	
20	579 49 84-04	CABLE ASSY	JP	1	
20	579 49 84-05	CABLE ASSY	AUS	1	
21	579 49 85-01	COVER		2	

**B** DC 1400  
VACCUM SYSTEM

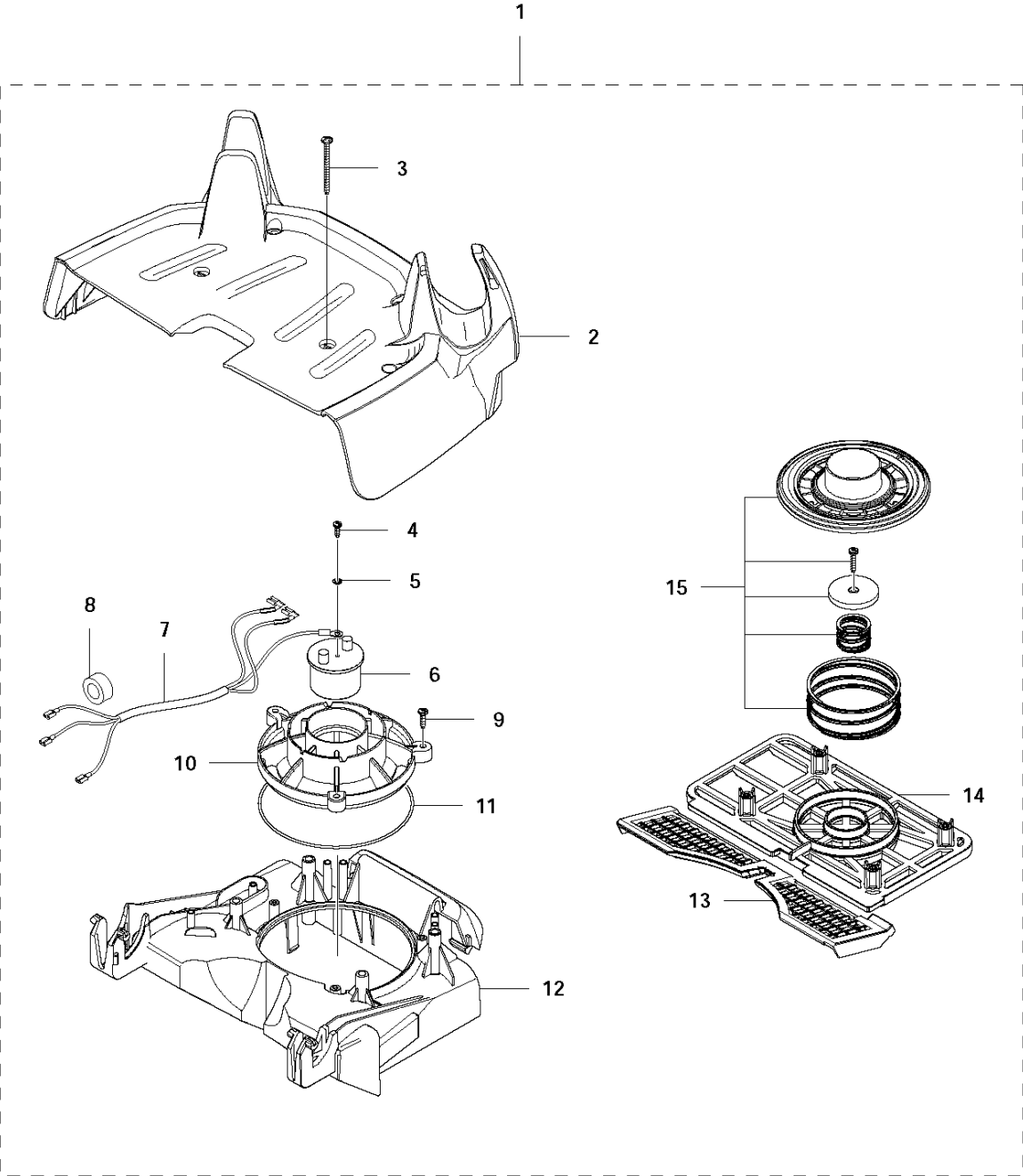


## VACCUUM SYSTEM

DC 1400, 2011-11

Ref	Part No	Description	Remark	QTY	KIT
1	579 49 45-01	SCREW		2	
2	579 49 86-01	HOUSING		1	
2	579 49 86-02	HOUSING	US	1	
3	579 49 87-01	SEALING		1	
4	579 49 88-01	CABLE ASSY		2	
4	579 49 88-02	CABLE ASSY	US	1	
4	579 49 88-03	CABLE ASSY	JP	1	
4	579 49 88-04	CABLE ASSY	UK	1	
5	579 49 89-01	SENSOR		2	
6	579 49 90-01	MOTOR		1	
6	579 49 90-02	MOTOR	US	1	
6	579 49 90-03	MOTOR	UK	1	
6	579 49 90-04	MOTOR	JP	1	
7	579 49 91-01	CARBON BRUSH		1	6
7	579 49 91-02	CARBON BRUSH	UK, JP	1	6
8	579 49 92-01	CABLE ASSY		2	
8	579 49 92-02	CABLE ASSY	US	2	
8	579 49 92-03	CABLE ASSY	UK	2	
8	579 49 92-04	CABLE ASSY	JP	2	
9	579 49 93-01	RING		1	
10	579 49 94-01	SEALING		1	
11	579 49 95-01	FILTER	PES Class M	1	
11	579 54 31-01	FILTER	Standard, paper	1	
11	579 54 00-01	FILTER	Classification HEPA 13	1	
12	579 49 96-01	CIRCUIT BOARD ASSY		1	
12	579 49 96-02	CIRCUIT BOARD ASSY	US	1	
12	579 49 96-03	CIRCUIT BOARD ASSY	UK	1	
12	579 49 96-04	CIRCUIT BOARD ASSY	JP	1	
13	579 49 68-01	SCREW		2	
14	579 49 97-01	CLAMP		1	
14	579 49 97-02	CLAMP	UK, JP	1	
15	579 49 99-01	HOUSING ASSY		1	
16	579 50 00-01	SEALING STRIP		1	15
17	579 50 01-01	SCREW		1	15
18	579 50 02-01	FASTENER		1	15
19	579 50 03-01	SPRING		1	

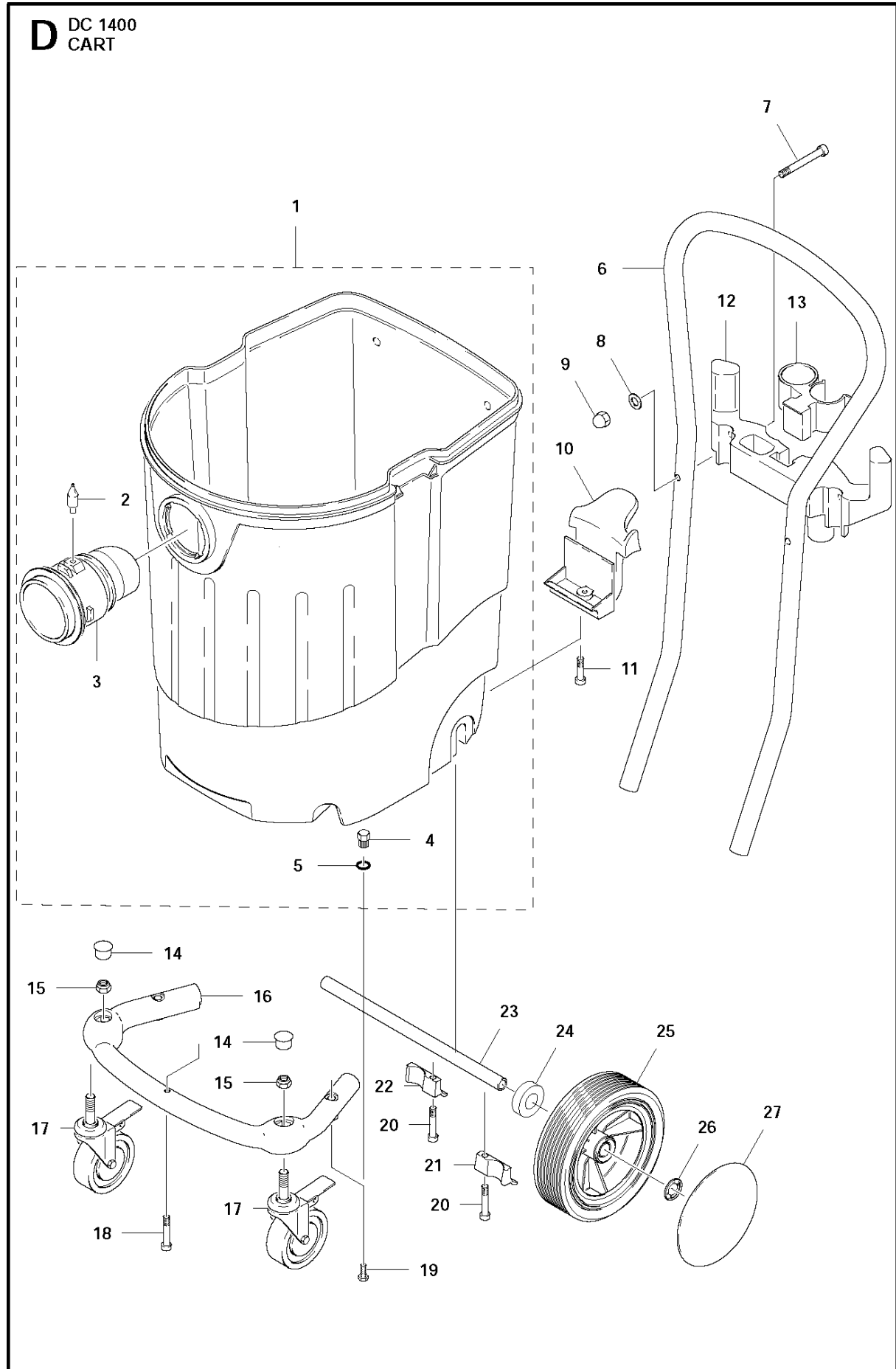
**C** DC 1400  
TOP DOOR



## TOP DOOR

DC 1400, 2011-11

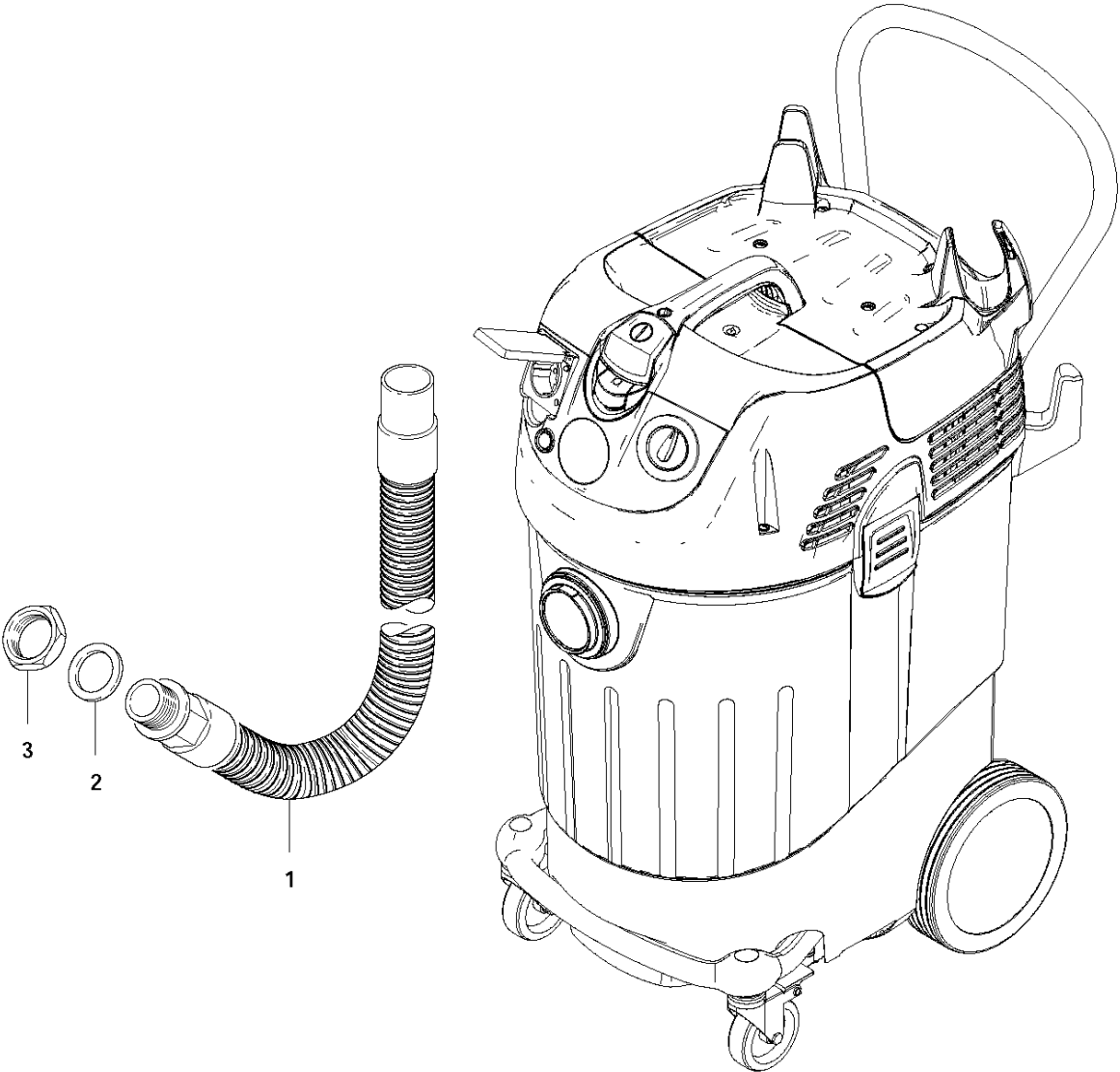
Ref	Part No	Description	Remark	QTY	KIT
1	579 49 39-01	DOOR ASSY		1	
2	579 50 04-01	FILTER COVER		1	1
3	579 50 05-01	SCREW		4	1
4	579 50 06-01	SCREW		1	1
5	579 50 07-01	LOCKWASHER		1	1
6	579 50 08-01	MAGNET		1	1
6	579 50 08-02	MAGNET	US	1	
6	579 50 08-03	MAGNET	UK	1	
6	579 50 08-04	MAGNET	JP	1	
7	579 50 09-01	CABLE ASSY		1	1
7	579 50 09-02	CABLE ASSY	US, JP	1	
8	579 49 93-01	RING		1	1
9	579 50 12-01	SCREW		3	1
10	579 50 14-01	MAGNET		1	1
10	579 50 14-02	MAGNET	US	1	
11	579 50 18-01	O-RING		1	1
12	579 50 20-01	FILTER COVER		1	1
13	579 50 22-01	SEAL		1	1
14	579 50 21-01	SPRING HOLDER		1	1
15	579 54 62-01	VALVE KIT		1	1
15	579 54 62-02	VALVE KIT	US	1	





Ref	Part No	Description	Remark	QTY KIT	
1	579 50 23-01	TANK ASSY		1	
2	579 50 24-01	BOLT		1	1
3	579 50 25-01	CONNECTION		1	1
4	579 50 26-01	BUSH		2	1
5	579 50 27-01	O-RING		2	1
6	579 50 30-01	HANDLE TUBE		1	
7	579 50 31-01	SCREW		2	
8	579 52 00-01	WASHER		2	
9	579 52 01-01	CAP NUT		2	
10	579 52 02-01	NOZZLE HOLDER		1	
11	579 52 03-01	SCREW		1	
12	579 52 04-01	HOLDER		1	
13	579 52 05-01	HOLDER		1	
14	579 52 06-01	PROTECTIVE CAP		2	
15	579 52 11-01	HEXAGON NUT		2	
16	579 52 13-01	TUBE		1	
17	579 52 14-01	WHEEL		2	
18	579 52 15-01	SCREW		1	
19	579 52 16-01	SCREW		2	
20	579 49 45-01	SCREW		2	
21	579 52 17-01	HOLDER		1	
22	579 52 18-01	HOLDER		1	
23	579 52 19-01	AXLE		1	
24	579 52 21-01	SPACER RING		2	
25	579 52 22-01	WHEEL		2	
26	579 52 24-01	LOCKWASHER		2	
27	579 52 27-01	CAP		2	
3	579 50 25-02	CONNECTION	UK, JP	1	

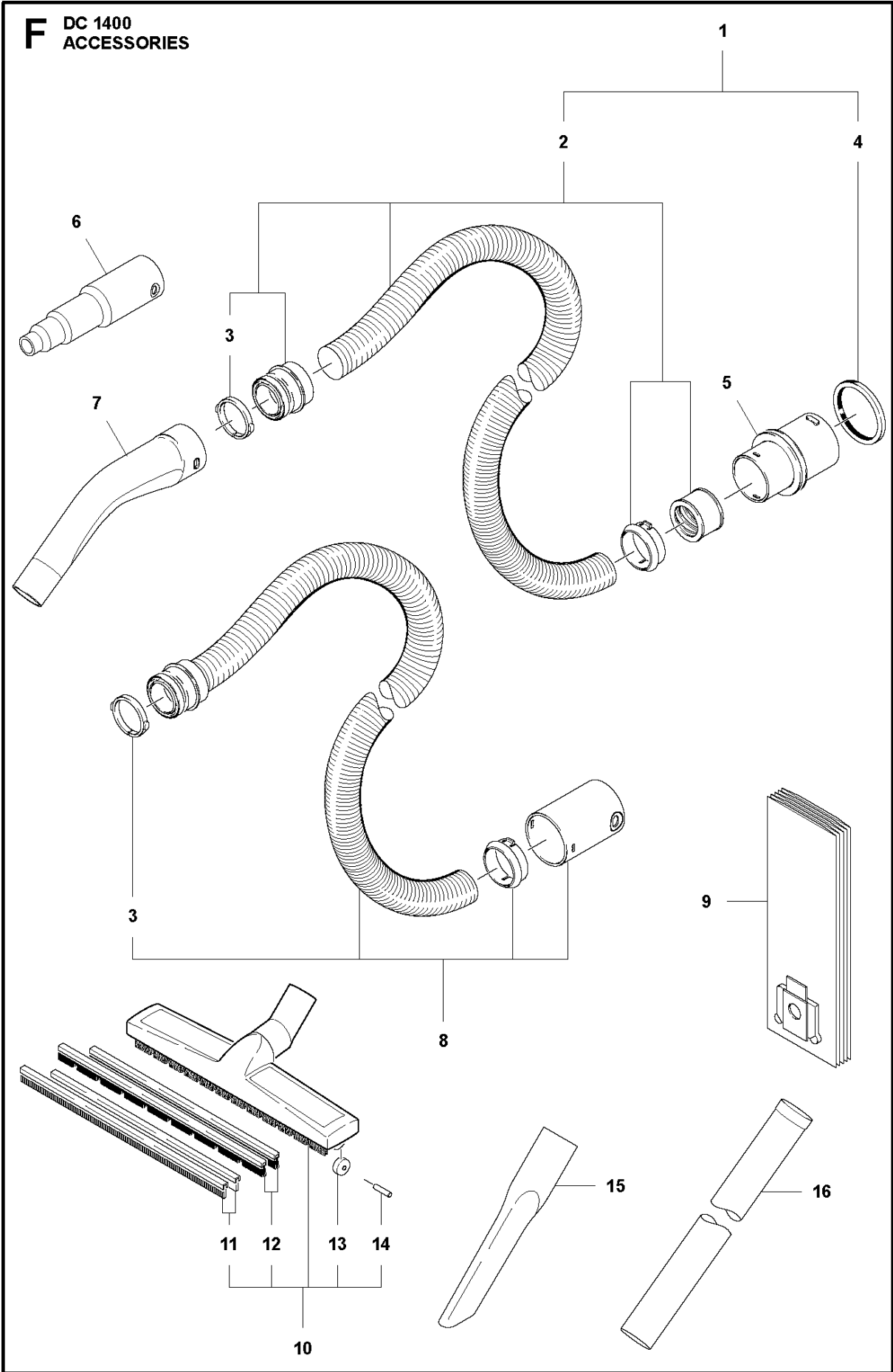
**E** DC 1400  
HOSE



TUBE

DC 1400, 2011-11

Ref	Part No	Description	Remark	QTY KIT
1	579 52 30-01	HOSE		1
2	579 52 31-01	SEALING RING		1
3	579 53 36-01	NUT		1



## ACCESSORIES

DC 1400, 2011-11

Ref	Part No	Description	Remark	QTY KIT	
1	588 79 23-01	HOSE		1	
2	579 53 40-01	REPAIR KIT		1	1
3	579 53 49-01	LOCKING RING		2	1,2,8
4	579 53 48-01	SEALING RING		1	1
5	579 53 50-01	COUPLING		1	
6	579 53 51-01	ADAPTER		1	
7	579 53 52-01	ELBOW		1	
8	588 79 25-01	HOSE		1	
9	579 53 54-01	FILTER		1	
10	579 53 55-01	NOZZLE ASSY		1	
11	579 53 56-01	RUBBER TRACK		1	10
12	579 53 57-01	BRUSH KIT		1	10
13	579 53 58-01	ROLLER		2	10
14	579 53 59-01	AXLE		2	10
15	579 53 60-01	NOZZLE		1	
16	579 53 61-01	TUBE		2	