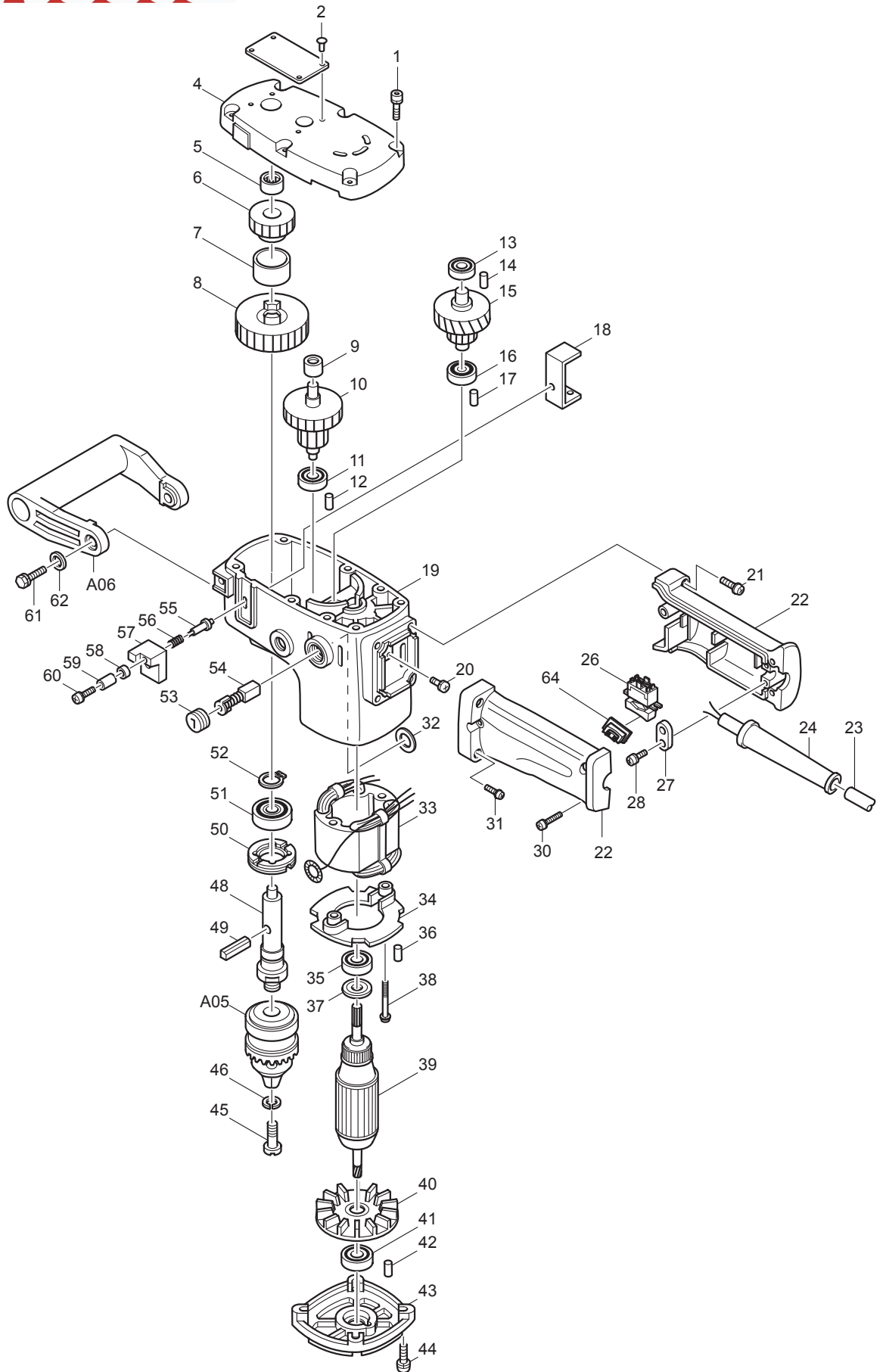




08 - 2010
DA6300
1/2" ANGLE DRILL



Item No	Type	Ref	Part No	Description	Qty	Unit
1			911241-2	PAN HEAD SCREW M5X25	6	PC.
2			953106-2	RIVET 0-5	4	PC.
4			157398-7	HOUSING COVER	1	PC.
		INC.		Item No. 14	1	PC.
5			212052-1	NEEDLE BEARING 1010	1	PC.
6			221877-2	SPUR GEAR 33	1	PC.
7			257573-6	SLEEVE 26	1	PC.
8			226227-6	SPUR GEAR 28	1	PC.
9			212004-2	NEEDLE BEARING 810	1	PC.
10			226102-6	GEAR COMPLETE 10-45	1	PC.
11			211033-2	BALL BEARING 608LB	1	PC.
12			263002-9	RUBBER PIN 4	1	PC.
13			211028-5	BALL BEARING 627LB	1	PC.
14			263002-9	RUBBER PIN 4	1	PC.
15			226101-8	GEAR COMPLETE 12-59	1	PC.
16	1		211018-8	BALL BEARING 626LB	1	PC.
	2		211016-2	BALL BEARING 626LLB	1	PC.
17			263002-9	RUBBER PIN 4	1	PC.
18			341749-6	SLIDER	1	PC.
19			157593-9	HOUSING	1	PC.
19		INC.	913206-0	SET SCREW M5X8	2	PC.
		INC.	643603-3	BRUSH HOLDER 6-10	2	PC.
		INC.		Item No. 12, 17, 36	1	PC.
20			652014-1	PAN HEAD SCREW M4X8	1	PC.
21			911216-1	PAN HEAD SCREW M5X14	2	PC.
22	1		182280-1	* HANDLE SET - N/L/A	1	SET
	2		183584-4	* HANDLE SET	1	SET
23			664625-0	CORD WITH PLUG 3P-18-2.5	1	PC.
24			682503-2	CORD GUARD 8-90	1	PC.
26	1		651554-6	SWITCH SL220SD-4 TRG. (W/ INSULATION PAPER)	1	PC.
	2		651564-3	SWITCH SL220SD-4 TRG. (W/O INSULATION PAPER)	1	PC.
27			687001-1	STRAIN RELIEF (OLD#687002-9)	1	PC.
28			911133-5	PAN HEAD SCREW M4X18	2	PC.
30			911143-2	PAN HEAD SCREW M4X22	3	PC.
31			911216-1	PAN HEAD SCREW M5X14	2	PC.
32			681001-3	INSULATION WASHER	2	PC.
33			522526-7	FIELD ASS'Y 115V (OLD#622526-8)	1	PC.
		INC.	654019-7	RING TERMINAL	1	PC.
		INC.	654501-6	CONNECTOR P-1.25	1	PC.
34			411895-0	BAFFLE PLATE	1	PC.
35			211061-7	BALL BEARING 6000LLB	1	PC.
36			263002-9	RUBBER PIN 4	1	PC.
37			213059-0	DUST SEAL 10	1	PC.
38			911681-4	PAN HEAD SCREW M5X60 (OLD# 251361-3)	2	PC.
39			512736-4	ARMATURE ASS'Y 115V (OLD# 612736-5)	1	PC.
39		INC.		INC. 35, 37, 40, 41		
40			241635-0	FAN 70	1	PC.
41			211033-2	BALL BEARING 608LB	1	PC.
42			263002-9	RUBBER PIN 4	1	PC.
43	1		315352-9	BEARING BOX COMPLETE - N/L/A	1	PC.
		INC.		Item No. 42		
	2		152209-1	BEARING BOX COMPLETE	1	PC.
		INC.		Item No. 42	1	PC.

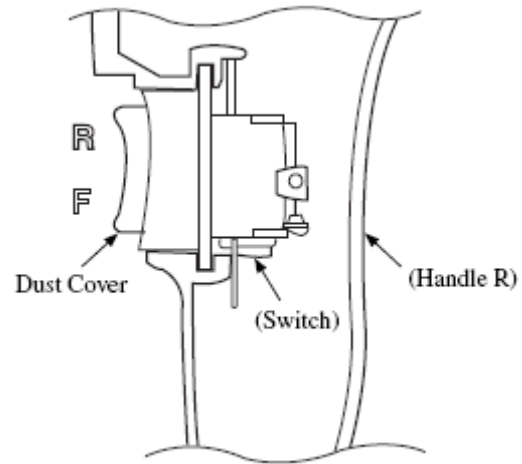
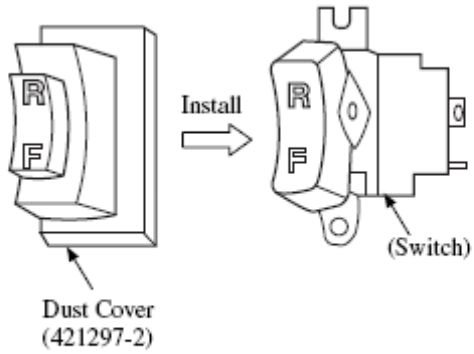
Item No	Type	Ref	Part No	Description	Qty	Unit
44			911236-5	PAN HEAD SCREW M5X22	4	PC.
45			251442-3	- FLAT HEAD SCREW M6x26	1	PC.
46			942151-2	SPRING WASHER 6	1	PC.
48			322421-9	SPINDLE (OLD#321449-4)	1	PC.
49			321530-1	PIN 6 (OLD#256115-3)	1	PC.
50			285809-3	BEARING RETAINER 23-36	1	PC.
51			211251-2	BALL BEARING 6003LLB	1	PC.
52			961057-5	RETAINING RING S-17	1	PC.
53			643600-9	BRUSH HOLDER CAP 6-10	2	PC.
54	1		191945-4	CARBON BRUSH CB-124, 2PC/SET (W/O ORIGIN)	1	SET
	2		194982-7	CARBON BRUSH CB-124, 2PC/SET (W/ ORIGIN)	1	SET
55			321891-9	STOPPER PIN	1	PC.
56			231098-8	COMPRESSION SPRING 6	1	PC.
57			410627-2	SLIDE BUTTON	1	PC.
58			321892-7	NUT	1	PC.
59			257574-4	SLEEVE 5	1	PC.
60			911218-7	PAN HEAD SCREW M5X14	1	PC.
61			921441-6	HEX. BOLT M8X25	2	PC.
62			941202-8	FLAT WASHER 8	2	PC.
64			421297-2	* DUST COVER (Added)	1	PC.
100			654019-7	RING TERMINAL	1	PC.
101			654501-6	CONNECTOR P-1.25	1	PC.
102			652008-6	PAN HEAD SCREW M3.5X7 (F/SWITCH)	4	PC.
103			652250-9	CLAMP WASHER (F/SWITCH)	4	PC.
104			654037-5	INSULATED EYE TERMINAL FV1.25-M3 (SWITCH-FIELD)	4	PC.
105			654509-0	END CONNECTOR 2-SD (CORD-FIELD)	2	PC.
106			654002-4	EYE TERMINAL 1.25-M4 (FOR EARTH)	1	PC.
<u>ACCESSORIES</u>			- See catalogue or visit www.makita.ca for more optional accessories -			
A01			273476-6	GRIP (SIDE HANDLE) 30	1	PC.
A02	1		763411-7A	CHUCK KEY S13	1	PC.
	2		763432-9	CHUCK KEY S13 (110mm HANDLE)	1	PC.
A02			798341-3	CHUCK KEY S13 (90mm HANDLE)	1	PC.
A03			410102-8	KEY HOLDER (PART)	1	PC.
A04	1		823106-5	STEEL CARRYING CASE	1	PC.
	2		181791-3	STEEL CARRYING CASE	1	PC.
A05			763062-6	1/2" DRILL CHUCK	1	PC.
A06			273628-9	GRIP (TOP HANDLE)	1	PC.

SERVICE CHANGES

1. Changes on Handle Set

Item No.	Description	Type1	Type2
22	Handle Set	182280-1	183584-4
64	Dust Cover	----	421297-2

Installing Dust Cover



1. Attach Dust Cover onto the upper side of Switch.
2. Install them (Switch with Dust Cover) to Handle R.
3. Fix Handle L to Handle R.

(T/I# 67436)