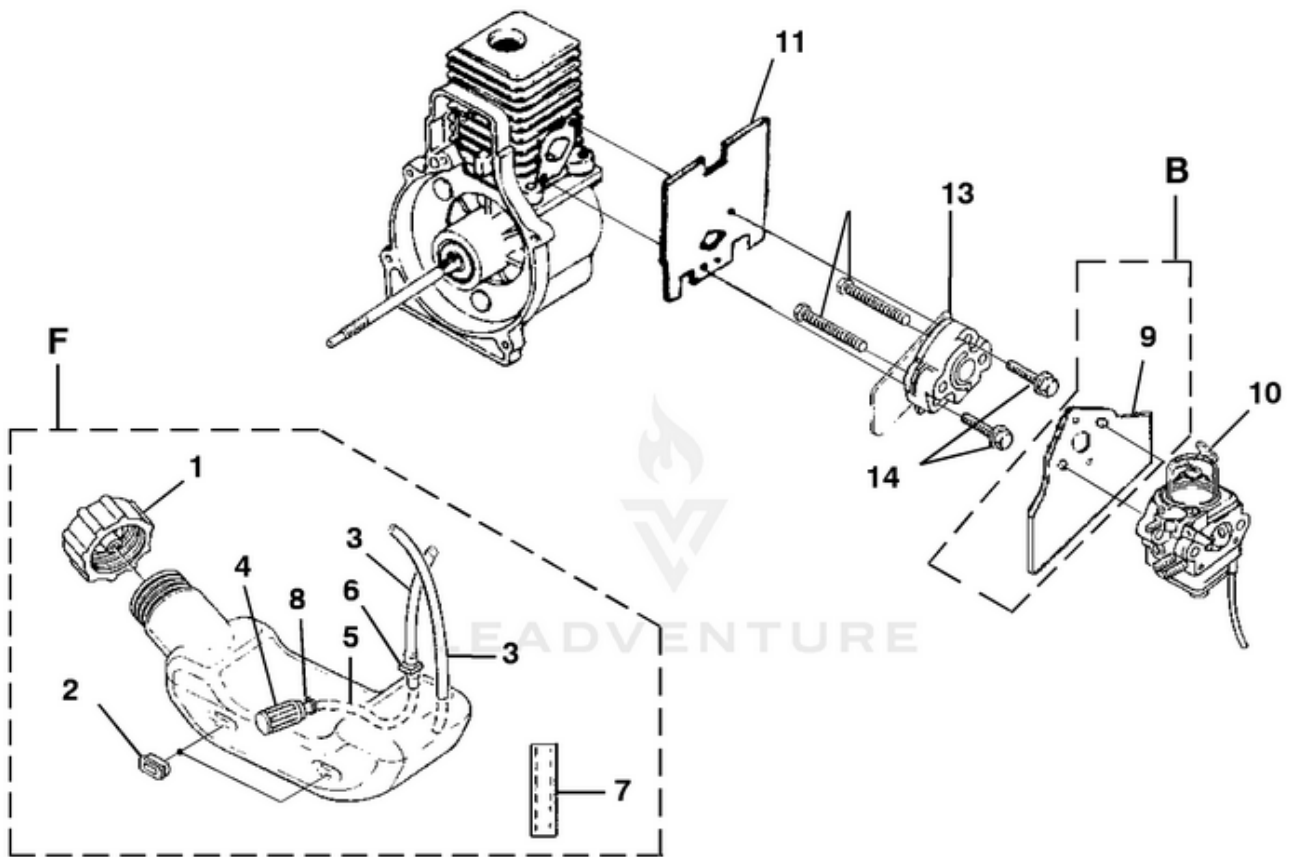


D25B Blower UT-08092 - Carburetor And Fuel Tank

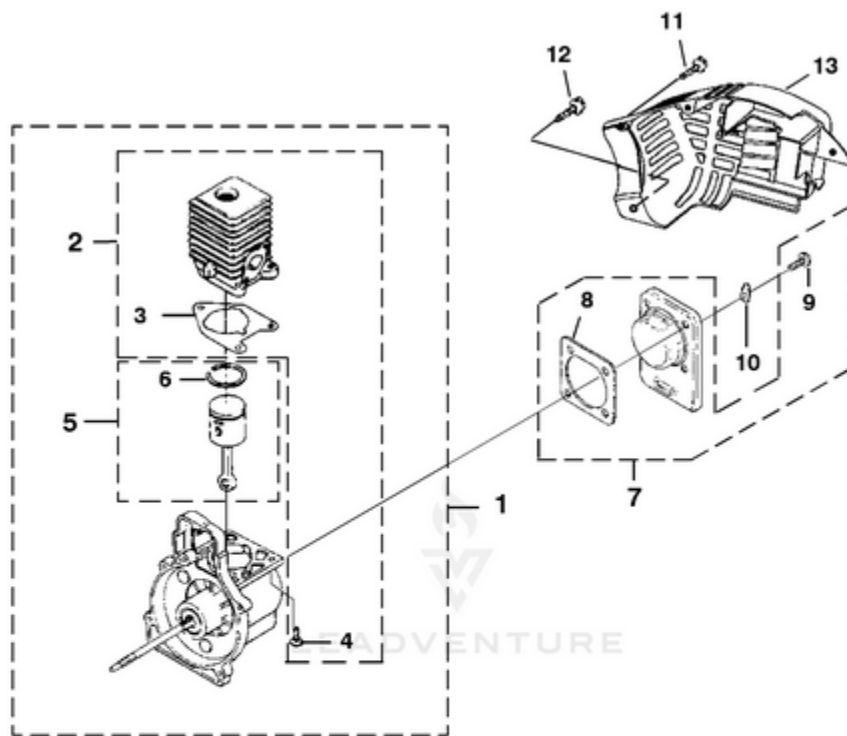


TORQUE SPECIFICATIONS			
Item No.	In/Lbs	Nm	Required Loctite
12	30-40	3.4-4.5	
14	40-50	4.5-5.6	262 Red

Rendered by LeadVenture, Inc.

Ref #	Part #	Description	Qty	Context Note
F	UP00136A	FUEL TANK KIT	1	
1	A09116	FUEL CAP ( 1 5/8" Opening)	1	
2	98792	BUMPER-Rubber	3	
3	0143922	TUBING-Rubber (5.5")	2	
4	PS03380	FUEL FILTER	1	
5	9477225	TUBING-Rubber (6 1/4")	1	
6	07332	Fitting, Inlet	1	(small for 2.5mm ID fuel line)
	02067	Fitting, Inlet	1	(large for 3mm ID fuel line)
7	4283309	INSULATION-Tubing	1	
8	98268	CLAMP	1	
	06443A	GASKET-Crankcase	1	(Not shown)
	PS01565	SCREW, Sems (10-24 x .56)	4	(Not Shown)
B	UP00010A	CARBURETOR KIT	1	(UT08110 & UT08110A)
9	987661	GASKET-Carburetor	1	Also included with Short block & Cylinder Kits.
10	UP03943	LEVER-Choke (Walbro WT419,WT469)	1	
B	UP00653A	CARBURETOR KIT (Bandit 2000, Yardbroom & D25B)	1	
9	987661	GASKET-Carburetor	1	Also included with Short block & Cylinder Kits.
10	UP03941	LEVER-Choke (Walbro WT471)	1	
11	00775A	GASKET-Heat Dam	1	Also included with Short block & Cylinder Kits.
12	04474	CARB. BOLT	2	Not Shown
13	98768A	HEAT DAM	1	
14	093221	USE 660662001	2	Also included with Short block & Cylinder Kits.

# D25B Blower UT-08092 - Engine Internal

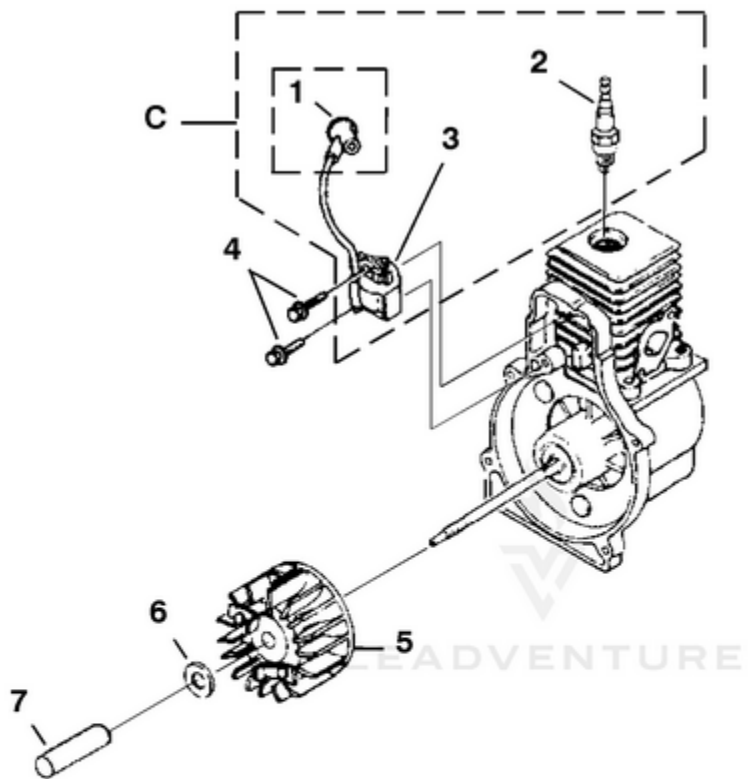


TORQUE SPECIFICATIONS			
Item No.	In/Lbs	Nm	Required Loctite
4	55-65	6.2-7.3	262 Red
9	55-65	6.2-7.3	262 Red
11	8-12	9-1.4	
12	20-30	2.3-3.4	

Rendered by LeadVenture, Inc.

<b>Ref #</b>	<b>Part #</b>	<b>Description</b>	<b>Qty</b>	<b>Context Note</b>
1	UP03131	SHORT BLOCK (30cc)	1	Includes items 2-6
2	UP07146	30 CC CYLINDER KIT	1	Includes items 2-4
3	04388B	GASKET-Cylinder	1	Also included with Short block & Cylinder Kits.
4	PS02807	SCREW, SEMS (12-24 x 3/4)	3	
	00775A	GASKET-Heat Dam	1	(Not Shown)
	00394B	GASKET-Muffler	1	(Not Shown)
5	UP03366	30 CC PISTON & ROD	1	Includes item 6
6	03179	RING-Piston	2	
1	UP03133A	SHORT BLOCK (25cc)	1	Includes items 2-6
2	UP04136A	25 CC CYLINDER KIT	1	Includes items 2-4
3	04388B	GASKET-Cylinder	1	
4	PS02807	SCREW, SEMS (12-24 x 3/4)	3	
	00775A	GASKET-Heat Dam	1	(Not Shown)
	00394B	GASKET-Muffler	1	(Not Shown)
5	984544001	25 CC PISTON & ROD	1	Includes item 6
6	PS01359	RING-Piston	1	
7	PS02130	CRANKCASE COVER-Stamped Steel	1	Includes items 8-9
8	06443A	GASKET-Crankcase	1	Also included with Short block & Cylinder Kits.
9	PS01565	SCREW, SEMS (10-24 x .56)	4	Also included with Short block & Cylinder Kits.
10	02851	TAB-Male	1	(Not for UT08110 & UT08110A)
11	82376	SCREW-Thread Form. (#8 X 1/2")	3	
12	82563	SCREW-Thread Form. (#10 X 3/4")	6	
13	UP06522A	SHROUD	1	

# D25B Blower UT-08092 Ignition With Rotor

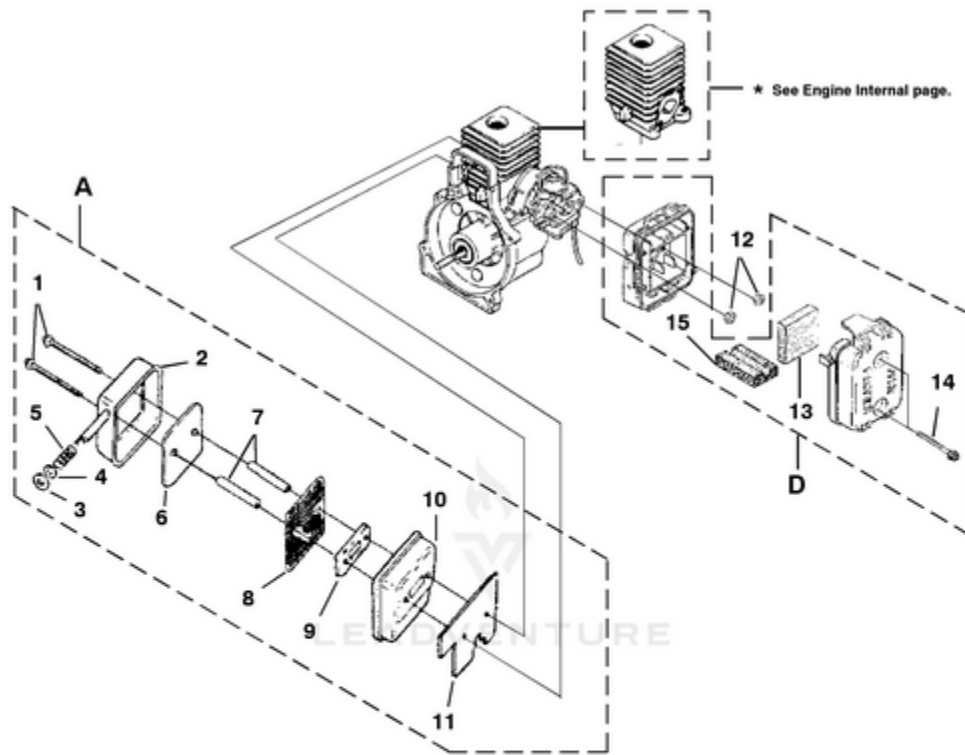


TORQUE SPECIFICATIONS			
Item No.	In/Lbs	Nm	Required Loctite
2	120-180	13.6-20.3	
4	30-40	3.4-4.5	242 Blue

Rendered by LeadVenture, Inc.

<b>Ref #</b>	<b>Part #</b>	<b>Description</b>	<b>Qty</b>	<b>Context Note</b>
C	UP03858	IGNITION KIT w/Module	1	Includes items 1-3
1	UP03868	TERMINAL and COVER	1	
2	PS02227	SPARK PLUG	1	
3	01341B	IGNITION Module	1	
4	82540	SCREW-Thread Form. (8-32 x 1")	2	
5	984521001	USE 986153001	1	
6	95479A	WASHER-Flat	1	
7	PS03566	SPACER-Fan	1	

# D25B Blower UT-08092 - Muffler And Air Cleaner



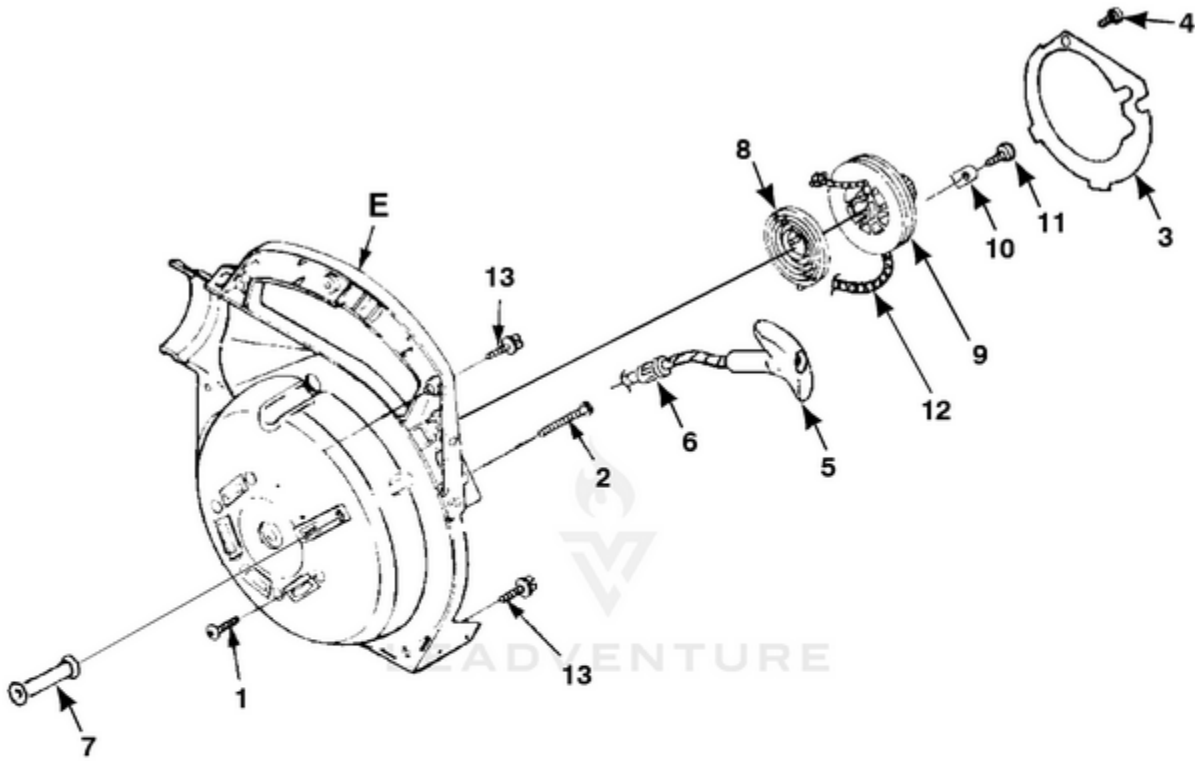
TORQUE SPECIFICATIONS			
Item No.	In./Lbs	Nm	Required Loctite
1	40-50	4.5-5.6	
12	30-40	3.4-4.5	
14	30-40	3.4-4.5	

Rendered by LeadVenture, Inc.

<b>Ref #</b>	<b>Part #</b>	<b>Description</b>	<b>Qty</b>	<b>Context Note</b>
A	PA01181	MUFFLER-Complete	1	Includes items 1-11
1	88060	SCREW-Sems Hex Hd. (10-24 x 2 1/2")	2	
2	A00366	MUFFLER COVER	1	
3	00381	WASHER-Insulating	1	
4	84117	WASHER-Flat	1	
5	00387	SPRING-Compression	1	
6	00777	DEFLECTOR-Muffler	1	
7	04785	SPACER-Muffler	1	
8	00388B	SCREEN-Spark Arrestor	1	
9	98783	PLATE-Reinforcing	1	
10	98781	BODY-Muffler	1	
11	00394B	GASKET-Muffler	1	Also included with Short block & Cylinder Kits.
12	81208	NUT-Hex (10-24)	2	
D	UP00011	AIR FILTER KIT	1	Includes items 13-15
13	98760	AIR FILTER	1	
14	093221	USE 660662001	2	
15	04857	FILTER, Foam Air	1	
D	985059001	AIR FILTER KIT	1	For UT08110 And UT08110A
13	98760	AIR FILTER	1	For UT08110 And UT08110A
14	093221	USE 660662001	2	For UT08110 And UT08110A



D25B Blower UT-08092 - Starter

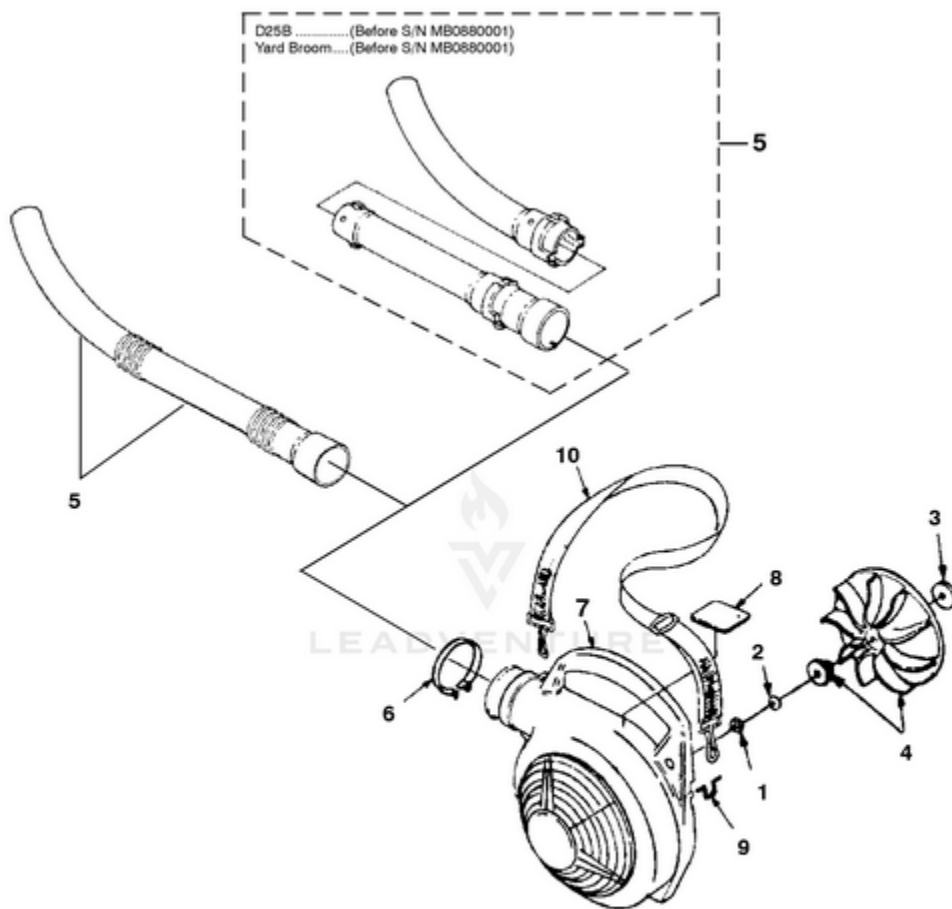


TORQUE SPECIFICATIONS			
Item No.	In/Lbs	Nm	Required Loctite
1	55-60	6.2-6.8	
2	20-30	2.3-3.4	
4	8-12	9-1.4	
11	30-40	3.4-4.5	
13	20-30	2.3-3.4	

Rendered by LeadVenture, Inc.

<b>Ref #</b>	<b>Part #</b>	<b>Description</b>	<b>Qty</b>	<b>Context Note</b>
1	82538	SCREW-Thread Form. (10-24 X 3/4")	4	
2	JA416903	SCREW-Thread Form. (#10 X 1 5/8")	1	
E	UP04551A	VOLUTE HOUSING & STARTER	1	Includes items 3-12
3	00374	PLATE-Rotor	1	
4	82528	SCREW-Thread Form. (#6 X 1 3/8")	1	
5	PS00179	GRIP-Starter (Black)	1	
6	969811A	BUSHING-Starter	1	
7	00364B	GUIDE-Starter Rope	1	
8	A98773A	SPRING & CONTAINER	1	
9	98770A	PULLEY-Starter	1	
10	98791	BRACKET-Retaining	2	
11	82541	SCREW-Thread Form. (#10 X 1/2")	2	
12	9789901	ROPE-Starter	1	
13	82563	SCREW-Thread Form. (10-24 X 3/4")	6	

# D25B Blower UT-08092 - Volute, Fan & Tubes



TORQUE SPECIFICATIONS			
Item No.	In/Lbs	Nm	Required Loctite
1	130-150	14.7-16.9	

Rendered by LeadVenture, Inc.

<b>Ref #</b>	<b>Part #</b>	<b>Description</b>	<b>Qty</b>	<b>Context Note</b>
1	81124A	NUT-Hex (3/8-24)	1	
2	03163	WASHER-Bellville (3/8")	1	
3	03165	WASHER-Flat	2	
4	UP06826A	BLOWER FAN KIT	1	
5	984917001	TUBE KIT	1	
6	00433B	CLAMP w/Fasteners	1	
7	UP00757A	VOLUTE HOUSING (Outer)	1	Includes item 8
8	08483	DECAL-Warning	1	
9	00398	LOOP-Wire	1	
10	96337C	SHOULDER STRAP	1	(NOT FOR UT8110 & UT8110A)