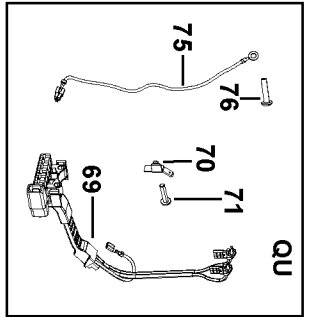
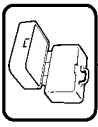
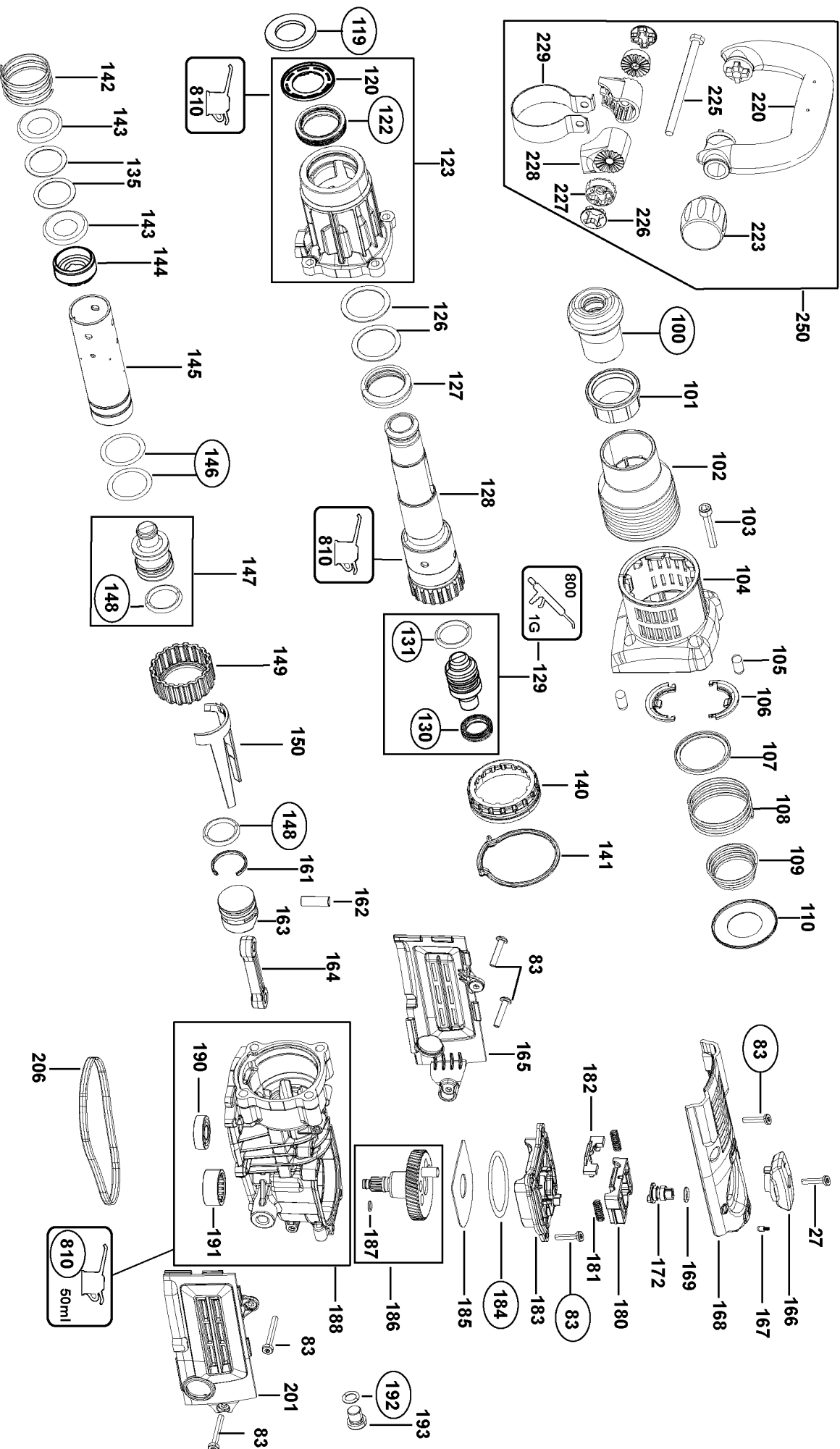


XXX = 847





## Parts List for D25831K-B2 Type 1

| Item Number | Part Number | Description      | Qty Required |
|-------------|-------------|------------------|--------------|
| 1           | N046420     | ARMATURE         | 1            |
| 2           | N046421     | FIELD            | 1            |
| 3           | N082756     | HOUSING          | 1            |
| 4           | 330003-39   | BEARING,BALL     | 1            |
| 5           | 327141-03   | SEAL             | 1            |
| 6           | 577746-00   | RING             | 1            |
| 9           | 330065-21   | SCREW            | 2            |
| 11          | 1007970-00  | CONNECTOR        | 2            |
| 12          | N020117     | LEAD WIRE        | 1            |
| 20          | 330003-60   | BEARING          | 1            |
| 21          | 1007732-00  | SLEEVE           | 1            |
| 22          | 1007798-00  | BRIDGE           | 1            |
| 23          | N047444     | BRUSH & HOLDER   | 1            |
| 24          | N047424     | BRUSH SET (2)    | 1            |
| 25          | N047446     | BRUSH & HOLDER   | 1            |
| 26          | N016920     | FAN BAFFLE       | 1            |
| 27          | 330065-08   | SCREW            | 1            |
| 28          | 1006592-01  | FAN ASSEMBLY     | 1            |
| 29          | 324119-02   | SCREW            | 1            |
| 40          | 1008683-00  | END CAP          | 1            |
| 41          | 1006576-01  | MOTOR COVER      | 1            |
| 42          | N041752     | GACC MODULE 230V | 1            |
| 49          | 1005672-00  | SCREW            | 1            |
| 50          | 1007939-00  | COVER PLATE      | 1            |
| 60          | 1007569-00  | SPRING           | 1            |
| 61          | 1007567-00  | BUSHING          | 1            |
| 62          | 1007566-00  | STOP             | 1            |

## Parts List for D25831K-B2 Type 1

| Item Number | Part Number | Description    | Qty Required |
|-------------|-------------|----------------|--------------|
| 63          | 1007565-00  | BELLOWS        | 1            |
| 64          | 1008681-01  | HANDLE         | 1            |
| 65          | 488065-01   | TRIGGER        | 1            |
| 66          | 581070-01   | SWITCH         | 1            |
| 67          | 1008682-00  | HANDLE COVER   | 1            |
| 69          | N046423     | LEADWIRE ASSY. | 1            |
| 71          | 326619-00   | SCREW          | 1            |
| 72          | 582573-17   | CORD SET       | 1            |
| 80          | 1008678-00  | BELLOWS        | 1            |
| 81          | N038214     | BUSHING        | 2            |
| 82          | N062047     | PIN            | 1            |
| 83          | 324007-11   | SCREW          | 19           |
| 85          | 821070      | CORD CLAMP     | 1            |
| 86          | 323091-01   | PROTECTOR,CORD | 1            |
| 88          | 1008391-00  | COVER          | 1            |
| 90          | N021606     | LENS           | 1            |
| 100         | 329816-00   | LIP SEAL       | 1            |
| 101         | 326575-01   | COLLAR         | 1            |
| 102         | 479247-00   | SLEEVE ASSY    | 1            |
| 103         | 918825-02   | SCREW          | 4            |
| 104         | 1006572-00  | COVER          | 1            |
| 105         | 325878-00   | ROLLER         | 2            |
| 106         | 325929-00   | WASHER,HALF    | 2            |
| 107         | 327208-00   | GUIDE          | 1            |
| 108         | 323395-06   | SPRING         | 1            |
| 109         | 487118-00   | SPRING         | 1            |
| 110         | 325930-00   | GUIDE,SPRING   | 1            |

## Parts List for D25831K-B2 Type 1

| Item Number | Part Number | Description    | Qty Required |
|-------------|-------------|----------------|--------------|
| 119         | N038151     | FELT WASHER    | 1            |
| 120         | N045793     | BUSHING        | 1            |
| 122         | 1007828-00  | SEAL           | 1            |
| 123         | N041835     | HOUSING        | 1            |
| 126         | 1005982-00  | WASHER         | 1            |
| 127         | 496191-00   | DAMPER         | 1            |
| 128         | N041834     | SPINDLE        | 1            |
| 129         | N041847     | BEAT PIECE     | 1            |
| 130         | 577484-00   | SEAL           | 1            |
| 131         | 323711-10   | RING,O         | 1            |
| 135         | N064329     | WASHER         | 2            |
| 140         | 494857-00   | BUSHING        | 1            |
| 141         | 1006283-00  | GASKET         | 1            |
| 142         | 1005748-00  | SPRING         | 1            |
| 143         | 577744-01   | O RING         | 2            |
| 143         | 577744-01   | O RING         | 2            |
| 144         | 1006778-00  | BUSHING        | 1            |
| 145         | N041846     | CYLINDER       | 1            |
| 146         | 577744-00   | O RING         | 2            |
| 147         | N041845     | RAM            | 1            |
| 148         | 576232-01   | O RING         | 2            |
| 149         | N041844     | SLEEVE         | 1            |
| 150         | 1005749-00  | FORK,SELECTOR  | 1            |
| 161         | 325905-00   | RETAINER       | 1            |
| 162         | 330041-22   | PIN            | 1            |
| 163         | N041843     | PISTON         | 1            |
| 164         | 494724-00   | CONNECTING ROD | 1            |

## Parts List for D25831K-B2 Type 1

| Item Number | Part Number | Description     | Qty Required |
|-------------|-------------|-----------------|--------------|
| 165         | 1006721-00  | GEARCASE COVER  | 1            |
| 166         | 1006786-00  | SELECTOR        | 1            |
| 167         | 326467-00   | DETENT          | 1            |
| 168         | 1006575-01  | TOP COVER       | 1            |
| 169         | 323711-57   | O-RING          | 1            |
| 172         | 496856-00   | ECCENTRIC       | 1            |
| 180         | 1006784-00  | SLIDER          | 1            |
| 181         | 323395-32   | SPRING          | 2            |
| 182         | 1006783-00  | CONNECT         | 1            |
| 183         | 496857-00   | COVER           | 1            |
| 184         | 323711-59   | O-RING          | 1            |
| 185         | 1006785-00  | PLATE           | 1            |
| 186         | N041841     | CRANKSHAFT      | 1            |
| 187         | 323711-26   | RING,O          | 1            |
| 188         | N082641     | MOTOR HOUSING   | 1            |
| 190         | 577745-01   | BALL BEARING    | 1            |
| 191         | 586301-00   | NEEDLE BEARING  | 1            |
| 192         | 323711-57   | O-RING          | 1            |
| 193         | 1008427-00  | SPECIAL SCREW   | 1            |
| 201         | 1006720-00  | GEARCASE COVER  | 1            |
| 206         | 1006282-00  | GASKET          | 1            |
| 220         | 487277-00   | HANDLE          | 1            |
| 223         | 487291-00   | KNOB ASSY       | 1            |
| 225         | 487343-00   | BOLT            | 1            |
| 226         | 479319-00   | CLAMPING INSERT | 2            |
| 227         | 479317-00   | LOCK WASHER     | 2            |
| 228         | N021994     | CLAMP WASHER    | 2            |

## Parts List for D25831K-B2 Type 1

| Item Number | Part Number | Description     | Qty Required |
|-------------|-------------|-----------------|--------------|
| 229         | N021995     | CLAMP           | 1            |
| 250         | N073104     | SIDE HANDLE ASY | 1            |
| 800         | 870889-03   | GREASE          | 1            |
| 810         | N040237     | TUBE OIL        | 1            |
| 816         | N064908     | BRAND LABEL     | 1            |
| 821         | N029864     | NAME PLATE      | 1            |
| 847         | N080633     | SERVICE KIT     | 1            |
| 856         | 351086-02   | BIT             | 1            |
| 861         | 574931-23   | KIT BOX         | 1            |