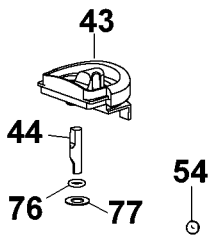
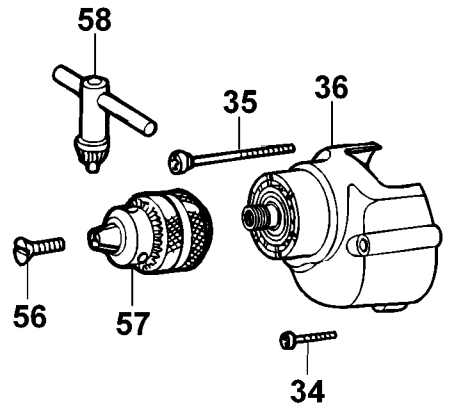




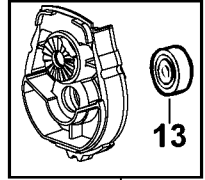
800 801



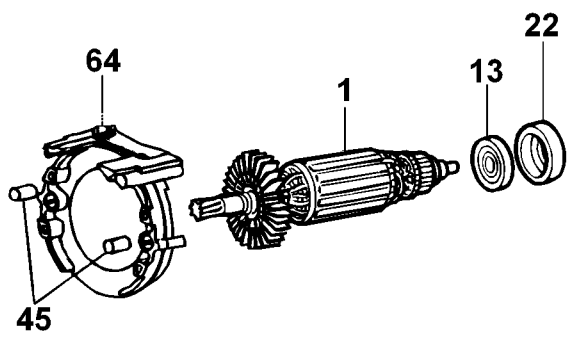
43 44 76 77 54



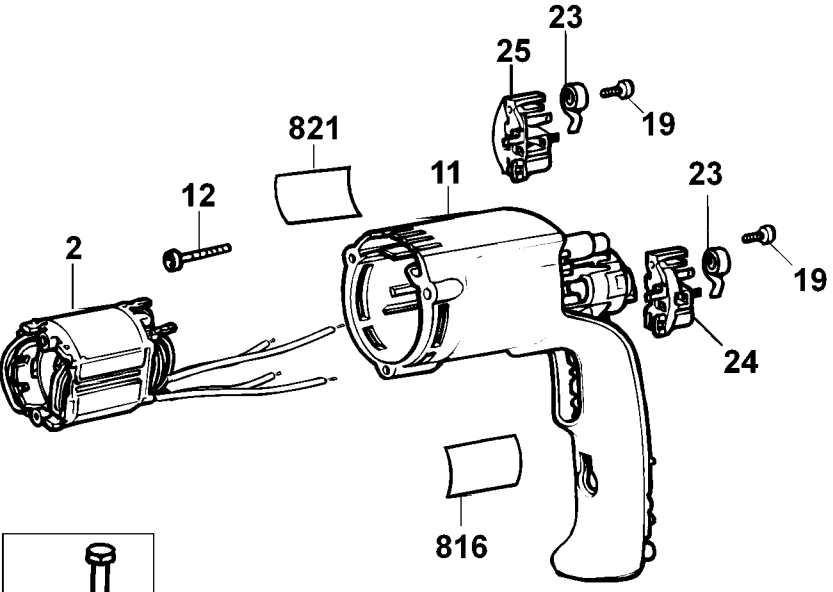
58 35 36 56 57 34 55



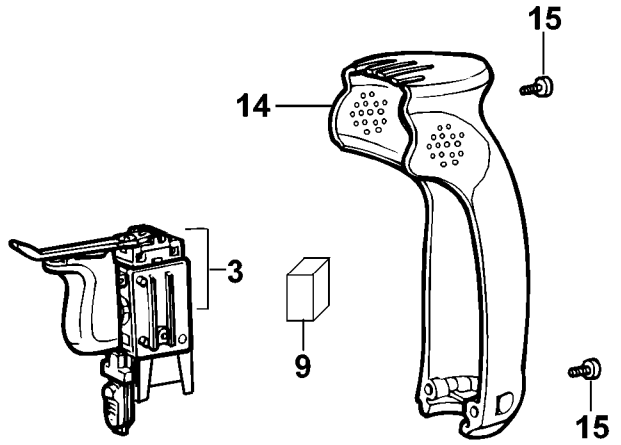
41 13 45



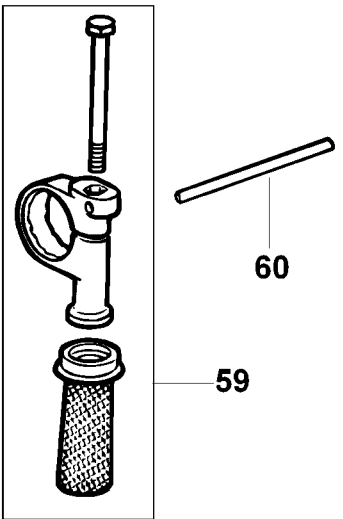
64 1 13 22 45



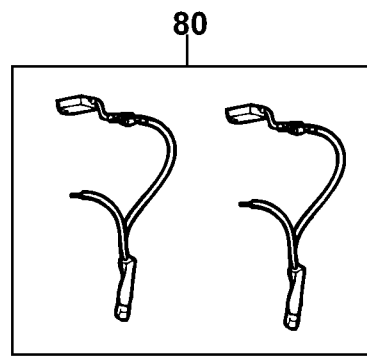
2 12 11 23 25 19 24 821 816



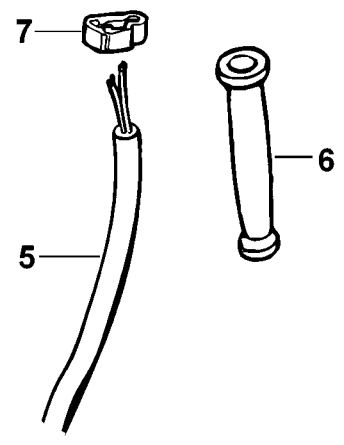
14 15 3 9 15



60 59



80



7 5 6

Parts List for D21710-B3 Type 6

Item Number	Part Number	Description	Qty Required
1	495832-01	ARMATURE	1
2	N063876	FIELD	1
3	1006250-01	SWITCH	1
5	330072-73	CORDSET	1
6	401751-00	CORD PROTECTOR	1
7	603255-00	CORD CLAMP	1
9	930026-01	BUMPER	1
11	1007793-00	FIELD CASE	1
12	496932-00	SCREW	2
13	605040-55	BEARING	2
14	610140-00	HANDLE COVER	1
15	330019-13	SCREW, PLASTITE	3
19	330065-06	SCREW	2
22	389824-00	CUP	1
23	402759-00	SPRING, BRUSH	2
24	401877-01	BRUSH HLDR. ASSY	1
25	401878-01	BRUSH HOLDER	1
34	330019-45	SCREW	1
35	330019-17	SCREW	2
36	N063406	HOUSING ASSEMBLY	1
41	584526-02	GEAR CASE ASSY	1
43	584538-00	SELECTOR ASSY.	1
44	946106-00	PIN	1
45	949638-02	PLUG, RUBBER	2
54	000903-00	BALL	1
55	401847-00	SEAL	1
56	490910-00	SCREW	1

Parts List for D21710-B3 Type 6

Item Number	Part Number	Description	Qty Required
57	584925-02	CHUCK	1
58	N022653	CHUCK KEY	1
59	939794-02	HANDLE,SIDE	1
60	940357-00	GAUGE,DEPTH	1
64	585994-00	BAFFLE, FAN	1
76	50050-00	RING	1
77	176659-00	WASHER,THRUST	1
80	N063387	BRUSH W/LEAD	2
800	286436-00	GREASE, 500GRAMS	1
801	761995-01	GREASE, 6 OZ.	1
816	395047-00	ID LABEL	1
821	N075988	NAME PLATE	1