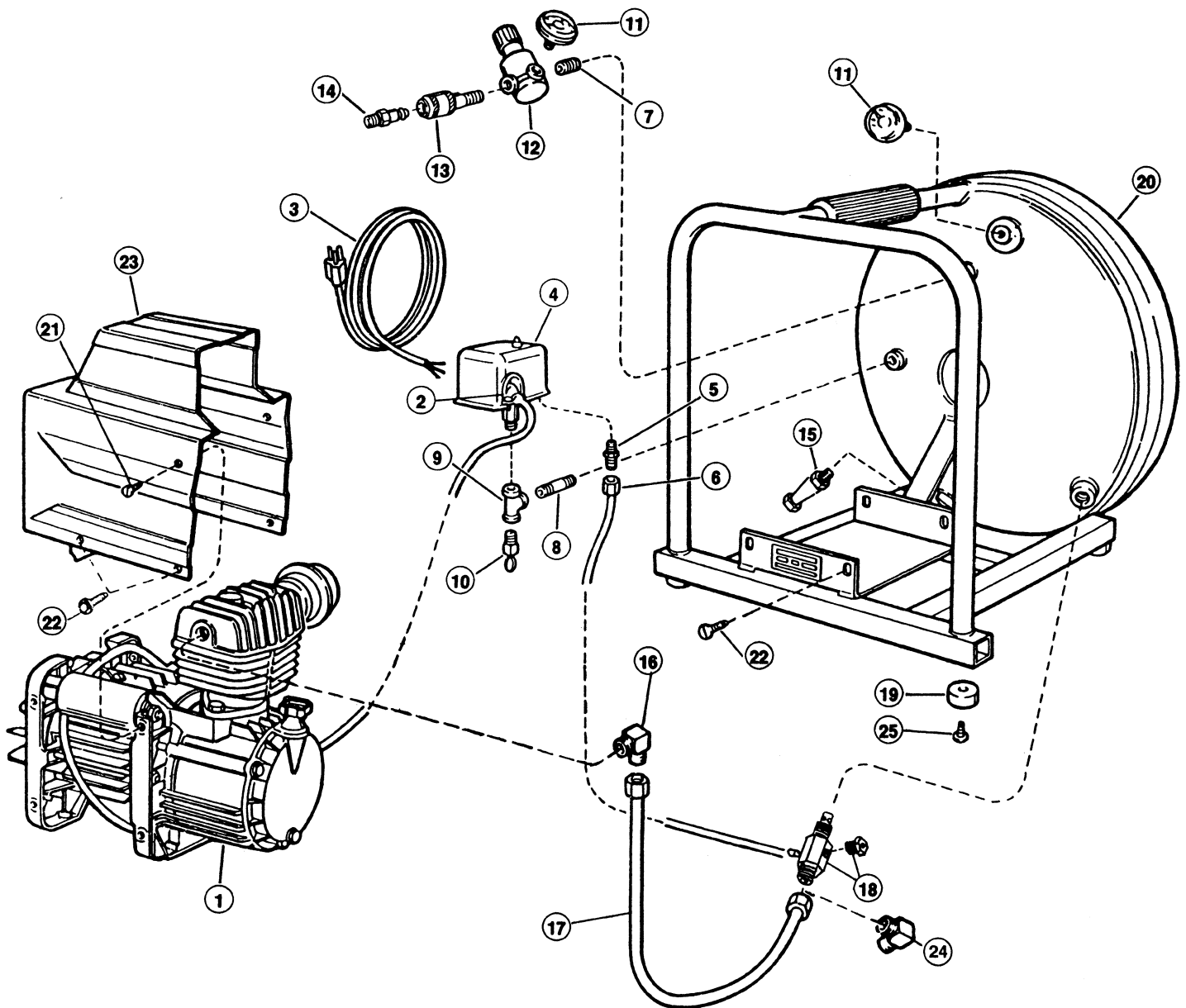


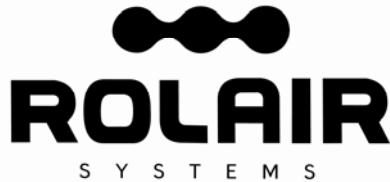


# ROLAIR

## SCHEMATIC FOR MODELS

D075HPV5	D1000LPV5	OD1500LPV5
D075LPV5	D1500HPV5	OD1500HPV5
D2002HPV5	D2000HPV5	





**ROLAIR SYSTEMS**

606 S. Lake Street, P.O. Box 346  
 Hustisford Wisconsin 53034-0346  
 Phone: 920-349-3281  
 Sales Fax: 920.349.3691  
 Service Fax: 920.349.8861  
[www.rolair.com](http://www.rolair.com)


**PARTS LIST FOR MODELS**

D075HPV5    D1500HPV5    OD1500LPV5  
 D075LPV5    D2000HPV5    OD1500HPV5  
 D1000LPV5    D2002HPV5

Schematic #	Description	Part #	Qty.
1	1 HP Pump Motor – Model D075HPV5	PMP11MK100FI	1
	1 HP Pump/Motor – Model D075LPV5	PMP11MK105FI	1
	1.5 HP Pump/Motor – Model D1000LPV5	PMP11MK135FI	1
	2 HP Pump/Motor – Model D1500HPV5	PMP11MK200FI	1
	2 HP Pump/Motor – Model OD1500LPV5*	PMP11MK150FI	1
	2 HP Pump/Motor – Model OD1500HPV5*	PMP11OL202FI	1
	2 HP Pump/Motor – Model D2000HPV5	PMP11MK200PFI**	1
	2 HP Pump/Motor – Model D2002HPV5	PMP11MK146FC**	1
2	Box Connector	160	2
3	Cord w/Plug	176	1
4	Pressure Switch	PS2020M	1
5	Pressure Switch Relief Valve	PS2020RV	1
6	¼" Nylon Tubing – 15"	178D	1.25'
	Brass Nut	BRNT0250	2
	Brass Ring	BRRG0250	2
	Brass Sleeve	BRSL0250	2
7	Nipple	BLNP0250X0875	1
8	Nipple	BLNP0250X1500	1
9	Tee	BLTE0250	1
10	Safety Valve	SRV0250N165	1
11	Gauge	GA0125200	2
12	Regulator	REG0250M	1
13	Quick Disconnect	308	1
14	Coupler Plug	310	1
15	Drain Valve	132B	1
16	Brass Elbow	BREL0500X037539	1
	Brass Straight - OD1500LPV5* Only	BRST0500X050038	1
17	½" Copper Tube	Specify Model/Serial #	1
18	Check Valve		
	D1500HPV5 & OD1500LPV5* Only	CV4X4TWB	1
	OD1500HPV5* Only	CV3X4TWB	1
	All other models	CV4X4T	1
	Bleeder Valve	CSV0125	1
19	Rubber Foot	219B	4
20	Tank Assembly	Specify Model	1
21	Screw	014006121F	2
22	Screw	MIS10036	4
23	Shroud - OD1500LPV5* Only	116004006F	1
	OD1500HPV5* Only	116005030F	1
	All other models	199657000F	1
24	Brass Elbow - OD1500HPV5* Only	BREL0500X037539	1
25	Screw	MIS10093C	4

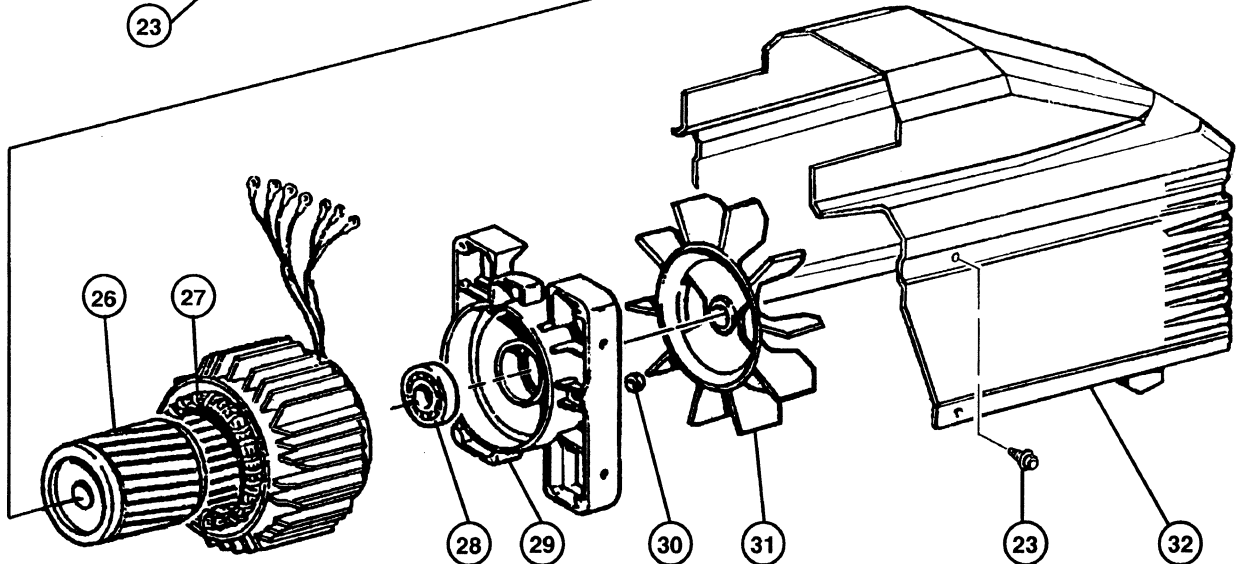
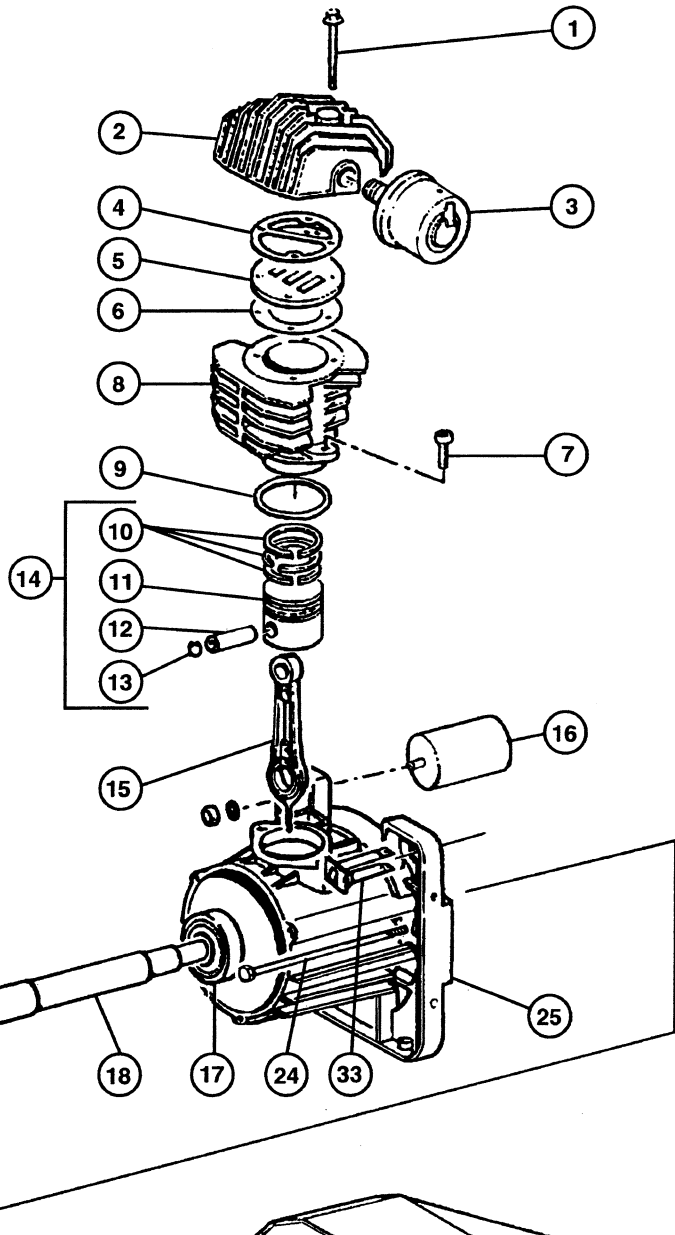
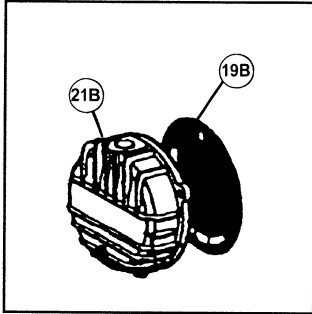
\*Oilless Models

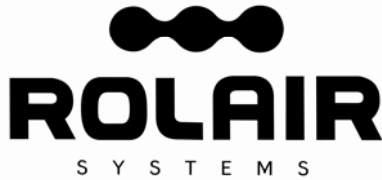
\*\*Location of intake filter is reversed from standard factory position. Please indicate model number when ordering.



# ROLAIR

SCHEMATIC FOR  
PMP11MK200PFI





**ROLAIR SYSTEMS**

606 S. Lake Street, P.O. Box 346  
 Hustisford Wisconsin 53034-0346  
 Phone: 920-349-3281  
 Sales Fax: 920.349.3691  
 Service Fax: 920.349.8861  
[www.rolair.com](http://www.rolair.com)

**PARTS LIST FOR PMP11MK200PFI**

Schematic #	Description	Part #	Qty.
1	Bolt	014002021F	4
2	Head	116001001F	1
3	Intake Filter	317007001F	1
4	Gasket	116022009F	1
5	Valve Plate Assembly	116022100F	1
6	Gasket	116022022F	1
7	Bolt	014011064F	2
8	Cylinder	116001004F	1
9	O-Ring	010114000F	1
10	Ring Set	216022002F	1
11	Piston	116022004F	1
12	Piston Pin	116022040F	1
13	Retaining Ring	015001000F	2
14	Piston Assembly	416022004F	1
15	Connecting Rod	116091021F	1
16	Capacitor	009200035F	1
17	Bearing	030078000F	1
18	Crankshaft	116032006F	1
19A	O-Ring	010013000F	1
19B	Diaphragm	116001025F	1
20	Dipstick	012035000F	1
21A	Crankcase Cover*	N.L.A.	
21B	Crankcase Cover	116022006F	1
22	Drain Plug	014013024F	1
23	Screw	014006121F	5
24	Bolt	116011038F	2
25	Motor Housing	116022051F	1
26	Rotor	116092003F	1
27	Stator	416033641F	1
28	Bearing	033005000F	1
29	End Bell	116011002F	1
30	Nut	014003002F	2
31	Fan	116001003F	1
32	Shroud	116001002F	1
33	Manual Reset Button	008055000F	1
34	O-Ring	010072000F	1
	Gasket Set	216GH0002F	1

\*Use 116022006F cover and 116001025F diaphragm