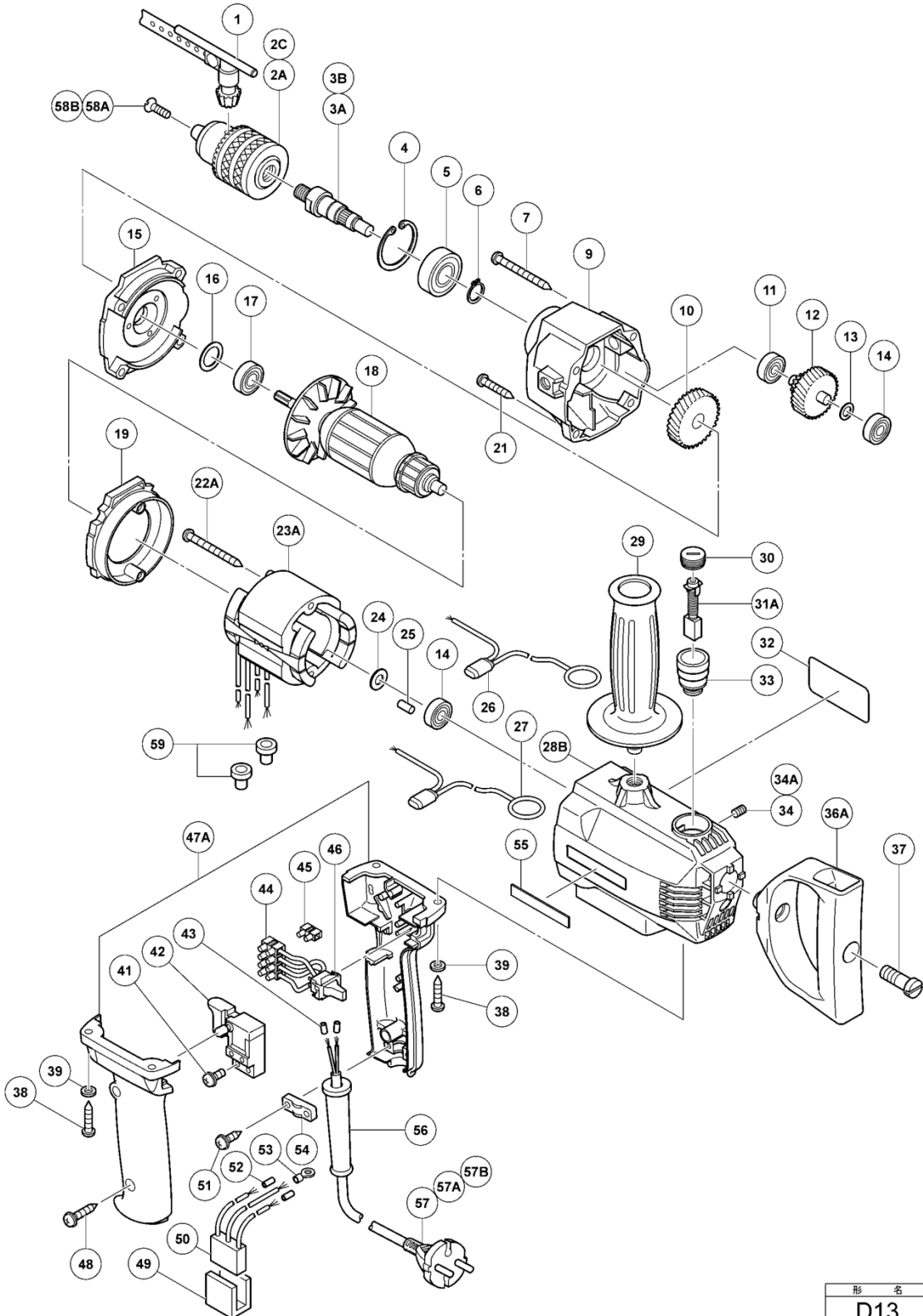


ELECTRIC TOOL PARTS LIST

■ DRILL
Model D 13

2017 • 01 • 26
(E5a)



Rev.6

形名
D13

PARTS

D13

ITEM NO.	CODE NO.	DESCRIPTION	NO. USED	REMARKS
1	930515	CHUCK WRENCH 10G	1	
2A	321810	DRILL CHUCK 13EL	1	TILL 9.1982
2C	321814	DRILL CHUCK 13VLRB-D	1	INCLUD.1.58 SINCE 10.1982
3A	981651Z	SPINDLE	1	TILL 9.1982 FOR TAPER
3B	981667	SPINDLE	1	SINCE 10.1982 FOR SCREW
4	939556	RETAINING RING FOR D35 HOLE (10 PCS.)	1	
5	6202VV	BALL BEARING 6202VVCMP2L	1	
6	939544	RETAINING RING FOR D15 SHAFT (10 PCS.)	1	
7	957725	TAPPING SCREW D5X70	2	
9	981650	GEAR COVER	1	
10	983448	FINAL GEAR	1	
11	627VVM	BALL BEARING 627VVC2PS2L	1	
12	981652Z	SECOND PINION	1	
13	949426	WASHER M8 (10 PCS.)	1	
14	608VVM	BALL BEARING 608VVC2PS2L	2	
15	982791	INNER COVER ASS'Y	1	INCLUD.14.16.17
16	984357	WASHER	1	
17	609VVM	BALL BEARING 609VVC2PS2L	1	
18	981657U	ARMATURE ASS'Y 110V-127V	1	INCLUD.14.17.24
19	981562	FAN GUIDE	1	
21	931875	TAPPING SCREW D5X35	2	
22A	991007	TAPPING SCREW D5X60	2	
23A	982797C	STATOR 110V-127V	1	TILL 7.1992 FOR USA
23A	982797M	STATOR 115V	1	SINCE 8.1992 FOR USA
23A	982797N	STATOR 115V	1	FOR CHAMPION
24	984367	WASHER (C)	1	
25	946362	BEARING LOCK	1	
26	982798Z	BRUSH TERMINAL	1	
26	318013	BRUSH TERMINAL	1	FOR CHAMPION
27	982799Z	BRUSH TERMINAL	1	
27	318014	BRUSH TERMINAL	1	FOR CHAMPION
28A	317447	HOUSING ASS'Y	1	INCLUD.33.34A FOR CHAMPION
28B	332082	HOUSING ASS'Y	1	INCLUD.33.34A
29	981205	SIDE HANDLE FOR M10	1	
30	961781	BRUSH CAP	2	
31A	999073	CARBON BRUSH (AUTO STOP TYPE) (1 PAIR)	2	
32	305015	NAME PLATE	1	
32	001273	NAME PLATE (RB 32)	1	
32	001275	FOR CHAMPION	1	
33	981586	BRUSH HOLDER	2	
34	962782	HEX. SOCKET SET SCREW M5X6	2	TILL 2.1986
34A	985114	HEX. SOCKET SET SCREW M4X6	2	SINCE 3.1986
36A	982794Z	D-TYPE HANDLE	1	
37	982796Z	SPECIAL BOLT M10	1	
38	937807	TAPPING SCREW D5X25	4	
39	949424	WASHER M5 (10 PCS.)	4	
41	980060	MACHINE SCREW (W/WASHER) M3.5X5	2	
42	957747	SWITCH (A) (1P SCREW TYPE) W/LOCK	1	(TILL 7.1992 FOR USA)
42	971667Z	SWITCH (2P PILLAR TYPE) W/LOCK	1	(SINCE 8.1992 FOR USA)
43	981373	TUBE (D)	2	
44	982804Z	PILLAR TERMINAL (B)	1	
45	982805Z	PILLAR TERMINAL (B)	1	(TILL 7.1992 FOR USA.CAN)
46	982803Z	REVERSING SWITCH ASS'Y	1	INCLUD.44 FOR USA.CAN
47A	331660	HANDLE (A).(B) SET	1	
48	982095	TAPPING SCREW (W/WASHER) D4X20	1	
49	930153	SUPPORT (B)	1	FOR NZL.GBR.SAF.FRG.HOL.DEN.
49	930153	SUPPORT (B)	1	FRA.ITA.AUS
50	994273	NOISE SUPPRESSOR	1	FOR NZL.GBR.SAF.FRG
51	930446	TAPPING SCREW (W/WASHER) D4X16	2	
52	981373	TUBE (D)	2	FOR ITA.BEL.FRG.FRA.FIN.AUS.SUI
53	961419Z	TERMINAL	1	
54	960266	CORD CLIP	1	

