

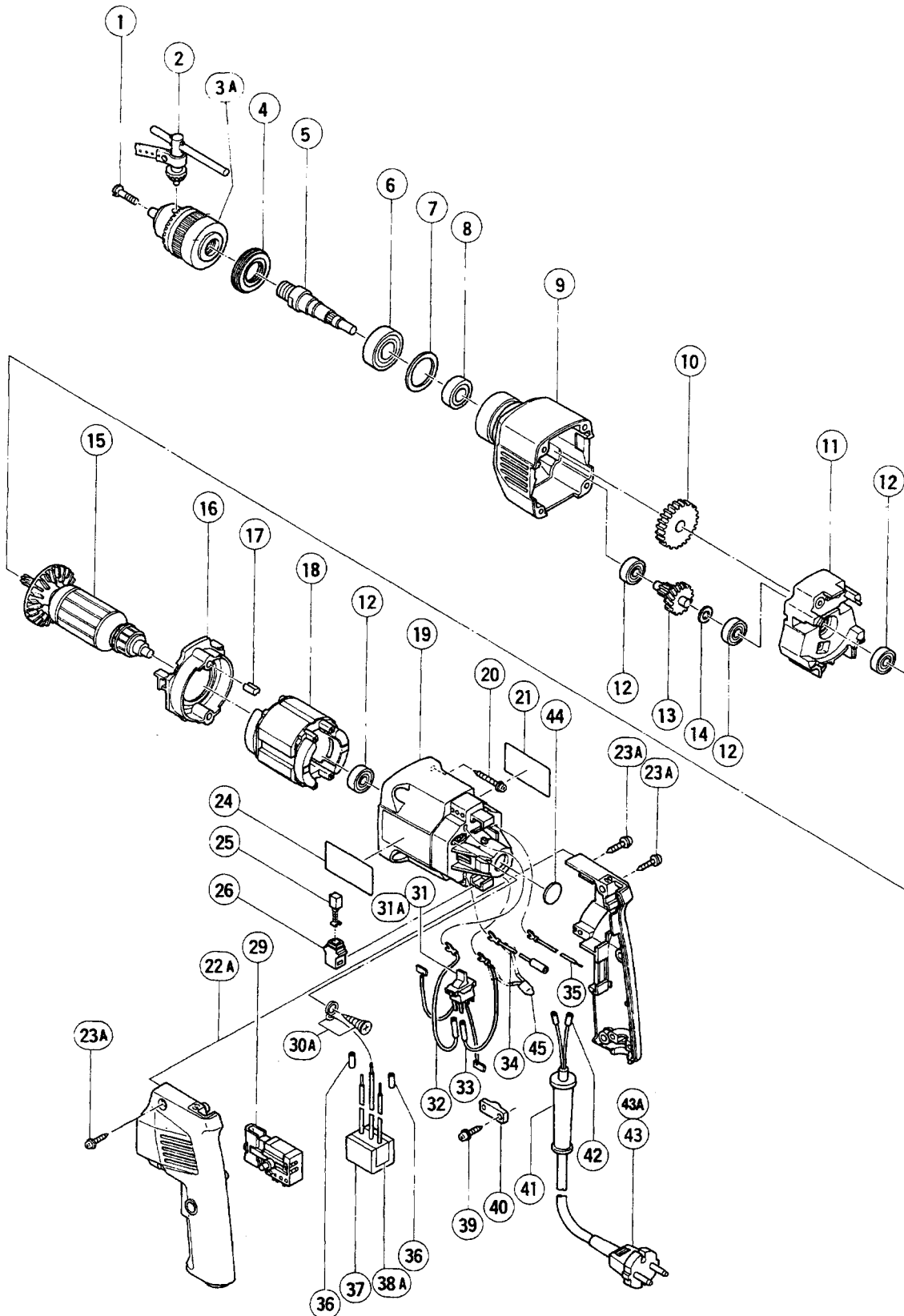
ELECTRIC TOOL PARTS LIST

■ DRILL

Model D 10VD

1997 · 3 · 10

(E4)



PARTS

D10VD

ITEM NO.	CODE NO.	DESCRIPTION	NO. USED	REMARKS	
1	981 - 122	SPECIAL SCREW M6X22	1		
2	930 - 119	CHUCK WRENCH 6.5G	1		
3A	950 - 256	DRILL CHUCK 10VLR	1	INCLUD.1,2	
4	995 - 316	SEAL LOCK CAP	1		
5	994 - 348	SPINDLE	1		
6	620 - 2DD	BALL BEARING 6202DDUCMPS2S	1		
7	994 - 347	WASHER (A)	1		
8	994 - 349	STOP RING	1		
9	994 - 346	GEAR COVER	1		
10	994 - 351	FINAL GEAR	1		
11	994 - 345	INNER COVER	1		
12	608 - VVM	BALL BEARING 608VVMC2EPS2L	4		
13	994 - 352	SECOND PINION	1		
14	930 - 477	THRUST WASHER	1		
*	15	360 - 029U	ARMATURE ASS'Y 110V - 127V	1	INCLUD.12
*	15	360 - 029E	ARMATURE 220V - 230V	1	FOR EUROPE,INA,SYR
*	15	360 - 029F	ARMATURE 230V - 240V	1	
	16	994 - 342	FAN GUIDE	1	
	17	994 - 343	RUBBER BUSHING	2	
*	18	340 - 030J	STATOR 110V - 127V	1	
*	18	340 - 030G	STATOR 220V - 230V	1	FOR EOROPE,INA,SYR
*	18	340 - 030H	STATOR 230V - 240V	1	
	19	994 - 340	HOUSING	1	
	20	985 - 605	TAPPING SCREW (W/WASHER) D5X25	4	
	21		NAME PLATE	1	
	22A	994 - 362	HANDLE (A).(B) SET	1	
	23A	984 - 750	TAPPING SCREW (W/FLANGE) D4X16	7	
	24	994 - 353	HITACHI LABEL	1	
	25	999 - 041	CARBON BRUSH (1 PAIR)	2	
	26	955 - 203	BRUSH HOLDER	2	
*	29	994 - 392	SPEED CONTROL SWITCH (2P PILLAR TYPE)	1	110V - 127V
*	29	994 - 393	SPEED CONTROL SWITCH (2P PILLAR TYPE)	1	220V - 240V
*	30A	995 - 323	EARTH TERMINAL	1	FOR GBR,SAF,ITA,FRG,FRA,HOL,DEN,SWE,AUT, NOR,SUI,NZL,FIN
*	31	994 - 454	REVERSING SWITCH	1	
*	31	991 - 889	REVERSING SWITCH	1	FOR FIN
*	31	995 - 317	REVERSING SWITCH	1	FOR NZL
*	31A	995 - 320	REVERSING SWITCH	1	FOR GBR,SAF,ITA,FRG,FRA,DEN,SWE,NOR,SUI, HOL
*	31A	995 - 321	REVERSING SWITCH	1	FOR AUT
*	32	994 - 462	INTERNAL WIRE (A) (BROWN)	1	
*	32	994 - 464	INTERNAL WIRE (A) (BROWN)	1	FOR USA
*	33	994 - 459	INTERNAL WIRE (A) (BLUE)	1	
*	33	994 - 461	INTERNAL WIRE (A) (BLUE)	1	FOR USA
*	34	994 - 467	INTERNAL WIRE (C) (BLACK)	1	
*	34	994 - 469	INTERNAL WIRE (C) (BLACK)	1	FOR USA
*	35	994 - 466	INTERNAL WIRE (C) (RED)	1	FOR PRODUCT W/O NOISE SUPPRESSOR
*	35	994 - 465	INTERNAL WIRE (C) (RED)	1	FOR USA
*	36	981 - 373	TUBE (D)	1	FOR NOISE SUPPRESSOR
*	37	930 - 153	SUPPORT (B)	1	FOR NOISE SUPPRESSOR

*: ALTERNATIVE PARTS

PARTS

D10VD

ITEM NO.	CODE NO.	DESCRIPTION	NO. USED	REMARKS
* 38A	995-326	NOISE SUPPRESSOR ASS'Y	1	INCLUD.30A,36,37 FOR GBR,SAF,FRG,FRA, HOL,SWE,AUT,NOR,NZL,FIN
* 38A	995-327	NOISE SUPPRESSOR ASS'Y	1	INCLUD.30A,36,37 FOR ITA,DEN
* 38A	995-328	NOISE SUPPRESSOR ASS'Y	1	INCLUD.30A,36,37 FOR SUI
39	984-750	TAPPING SCREW (W/FLANGE) D4X16	2	
40	960-266	CORD CLIP	1	
* 41	953-327	CORD ARMOR D8.8	1	
* 41	938-051	CORD ARMOR D10.1	1	
* 42	981-373	TUBE (D)	2	FOR CORD
* 43	500-212Z	CORD	1	(CORD ARMOR D8.8)
* 43	500-226Z	CORD	1	(CORD ARMOR D8.8) FOR NZL,NGU,AUS
* 43	500-231Z	CORD	1	(CORD ARMOR D8.8) FOR GBR,SAF
* 43	500-234Z	CORD	1	(CORD ARMOR D8.8) FOR ITA,FRG,FRA,HOL, DEN,FIN,AUT
* 43	500-240Z	CORD	1	(CORD ARMOR D8.8) FOR USA
* 43	500-395Z	CORD	1	(CORD ARMOR D8.8) FOR SUI
* 43	500-409Z	CORD	1	(CORD ARMOR D8.8) FOR SUR,INA,SWE,NOR
* 43A	500-423Z	CORD	1	(CORD ARMOR D8.8) FOR SIN,KUW
* 43A	500-447Z	CORD	1	(CORD ARMOR D8.8) FOR SYR
* 44	994-453	BEARING SEAL	1	FOR GBR,SAF,ITA,FRG,FRA,HOL,DEN,SWE,AUT, NOR,SUI
* 45	995-322	CR UNIT	1	FOR GBR,SAF,ITA,FRG,FRA,DEN,SWE,HOL,AUT, NOR,SUI

OPTIONAL ACCESSORIES

ITEM NO.	CODE NO.	DESCRIPTION	NO. USED	REMARKS
601A	301-954	SIDE HANDLE ASS'Y	1	INCLUD.603
602	971-677	STOPPER	1	
603	303-158	KNOB BOLT N6X38	1	

* : ALTERNATIVE PARTS