

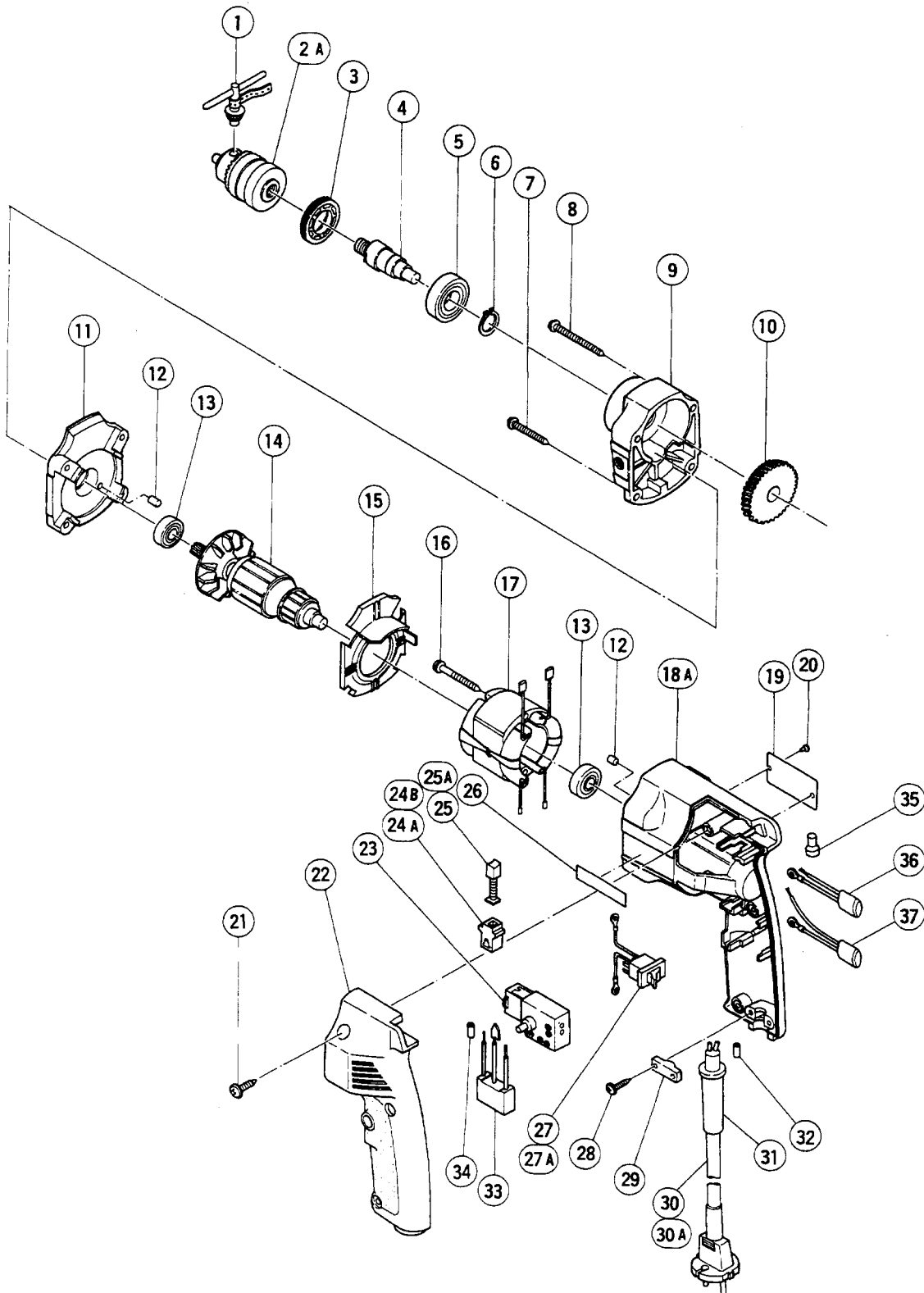
## ELECTRIC TOOL PARTS LIST

■ DRILL

Model D 10VC

1995 · 1 · 9

(E6)



**PARTS**

**D 10VC**

ITEM NO.	CODE NO.	DESCRIPTION	NO. USED	REMARKS
1	980-057	CHUCK WRENCH 10TL2	1	
2A	950-292	DRILL CHUCK 10TLRA	1	INCLUD.1
3	930-214	BEARING CAP	1	
4	991-883	SPINDLE	1	
5	600-2VV	BALL BEARING 6002VVCMP2S	1	
6	939-544	RETAINING RING FOR D15 SHAFT (10 PCS.)	1	
7	985-984	TAPPING SCREW (W/WASHER) D4X35	2	
8	986-112	TAPPING SCREW (W/WASHER) D4X50	2	
9	983-411	GEAR COVER	1	
10	986-111	GEAR	1	
11	991-882	INNER COVER	1	
12	931-701	BEARING LOCK	2	TILL 5.1985 FOR INNER COVER,TILL 4.1987 FOR HOUSING
13	608-VVM	BALL BEARING 608VVMC2EPS2L	2	
* 14	991-887U	ARMATURE ASS'Y 115V	1	INCLUD.13 FOR USA,CAN,GBR
* 14	991-887E	ARMATURE 220V	1	
* 14	991-887F	ARMATURE 240V	1	
15	950-504	FAN GUIDE	1	
18	992-630	TAPPING SCREW (W/SP. WASHER) D4X40	2	
* 17	991-886C	STATOR 110V - 127V	1	FOR USA,CAN
* 17	991-886E	STATOR 220V - 230V	1	
* 17	991-886F	STATOR 240V	1	
* 17	991-886G	STATOR 220V - 230V	1	FOR HOL,DEN,FIN,SWE,AUT,GBR
* 17	991-886H	STATOR 220V	1	FOR SUI
* 17	991-886J	STATOR 110V	1	FOR GBR
* 18A	991-880	HOUSING	1	
* 18A	995-630	HOUSING	1	FOR SUI
19		NAME PLATE	1	
* 20	932-642	RIVET D2.5X2.8	2	FOR CAN
21	982-095	TAPPING SCREW (W/WASHER) D4X20	3	
* 22	991-885	HANDLE COVER	1	
* 22	995-641	HANDLE COVER	1	FOR SUI
* 23	986-114	SWITCH (F) (2P PILLAR TYPE) W/LOCK	1	110V - 127V
* 23	950-991Z	SWITCH (2P PILLAR TYPE) W/LOCK	1	220V - 240V
* 24A	930-483	BRUSH HOLDER	2	
* 24B	955-203	BRUSH HOLDER	2	SINCE 3.1990 FOR ITA,FRG,BEL,FRA,HOL, DEN,SWE,AUT,SUI
* 25	999-041	CARBON BRUSH (1 PAIR)	2	
* 25A	999-080	CARBON BRUSH (AUTO STOP TYPE) (1 PAIR)	2	FOR USA
26	950-585	HITACHI LABEL	1	
* 27	991-889	REVERSING SWITCH	1	FOR USA,CAN,AUS
* 27	992-636	REVERSING SWITCH	1	FOR SAF
* 27	995-350	REVERSING SWITCH	1	FOR FIN,NZL
* 27A	991-894	REVERSING SWITCH	1	SINCE 3.1990 FOR ITA,FRG,BEL,FRA,HOL, DEN,SWE,AUT,SUI
28	984-750	TAPPING SCREW (W/FLANGE) D4X16	2	
29	937-631	CORD CLIP	1	
* 30	500-240Z	CORD	1	(CORD ARMOR D8.2) FOR USA,CAN
* 30	500-226Z	CORD	1	(CORD ARMOR D8.2) FOR AUS,NZL
* 30	500-245Z	CORD	1	(CORD ARMOR D10.2) FOR SYR
* 30	500-395Z	CORD	1	(CORD ARMOR D8.2) FOR SUI

\*: ALTERNATIVE PARTS

