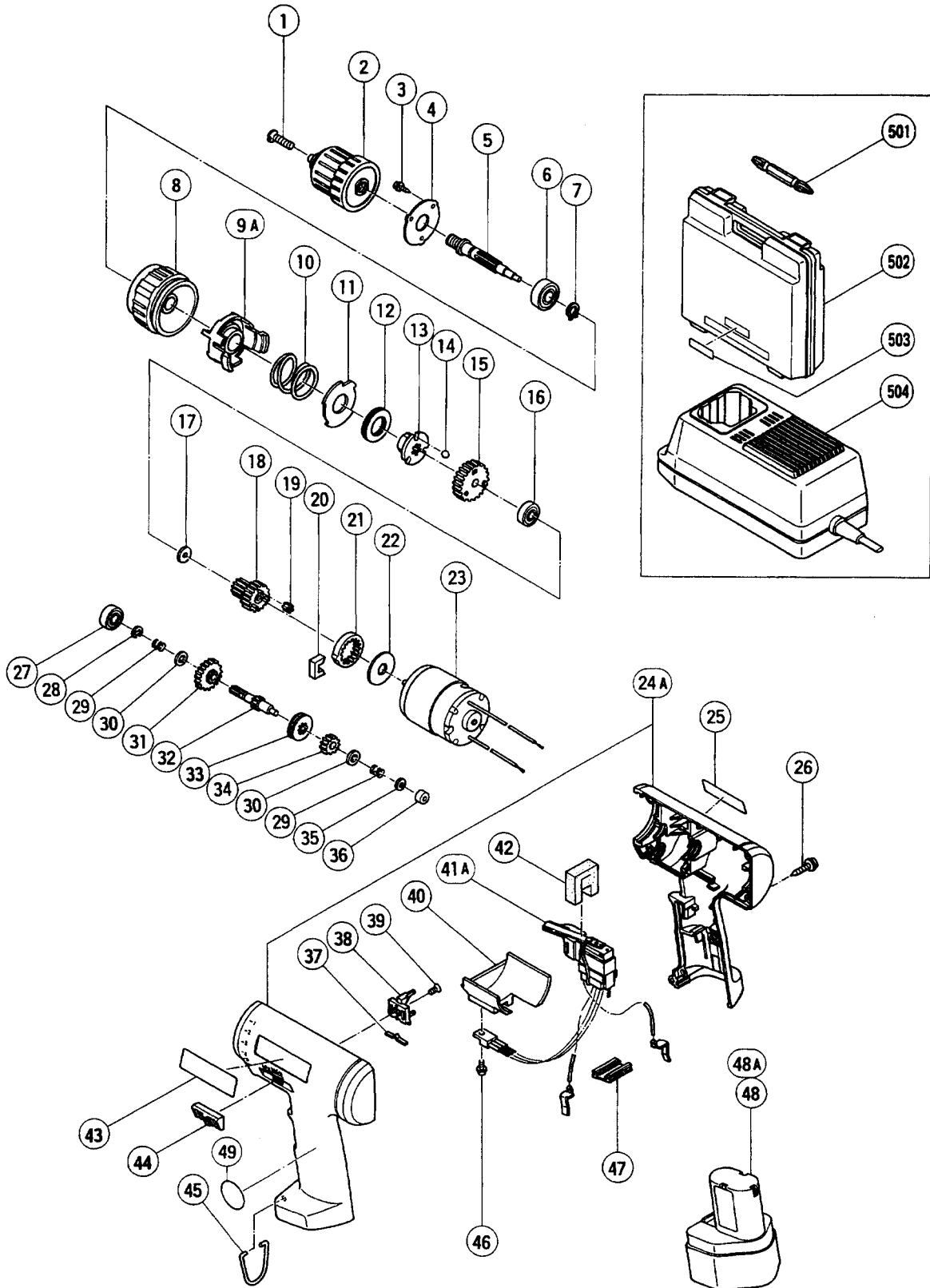


ELECTRIC TOOL PARTS LIST

CORDLESS DRIVER DRILL
Model D 10DF

1992 · 8 · 31
(E2)



PARTS

D 10DF

ITEM NO.	CODE NO.	DESCRIPTION	NO. USED	REMARKS
1	992-077	FLAT HD. SCREW (LEFT HAND) M5X17	1	
2	301-553	DRILL CHUCK 10TLR - N (W/O CHUCK HANDLE)	1	
3	984-327	TAPPING SCREW (W/SP. WASHER) D3X8	3	
4	991-663	PLATE	1	
5	301-741	SPINDLE	1	
6	600-0VV	BALL BEARING 6000VVCMP2S	1	
7	939-540	RETAINING RING FOR D10 SHAFT (10 PCS.)	1	
8	301-748	CAP	1	
9A	303-722	SPRING HOLDER	1	
10	301-746	SPRING	1	
11	301-745	THRUST PLATE	1	
12	301-744	THRUST NEEDLE BEARING	1	
13	301-743	BALL HOLDER	1	
14	959-149	STEEL BALL D4.76 (10 PCS.)	3	
15	301-742	FINAL GEAR	1	
16	626-VVM	BALL BEARING 626VVMC2ERPS2S	1	
17	301-730	WASHER	1	
18	301-728	GEAR HOLDER	1	
19	301-725	IDLE GEAR (3 PCS.)	3	
20	301-978	DAMPER	1	
21	301-726	RING GEAR	1	
22	301-727	WASHER	1	
23	301-724	MOTOR	1	
24A	305-959	HOUSING (A).(B) SET	1	
25		CAUTION PLATE	1	
26	991-672	TAPPING SCREW (W/WASHER) D3X16	6	
27	607-MC3	BALL BEARING 607MC3	1	
28	673-489	RETAINING RING (E - TYPE) FOR D5 SHAFT	1	
29	301-738	SPRING (A)	2	
30	301-739	WASHER	2	
31	301-735	LOW SPEED GEAR	1	
32	301-733	SECOND PINION	1	
33	301-736	CLUTCH PLATE	1	
34	301-734	HIGH SPEED GEAR	1	
35	301-737	WASHER	1	
36	994-677	METAL D4X6	1	
37	980-829	SHIFT SPRING	1	
38	301-749	SHIFT ARM	1	
39	949-321	FLAT HD. SCREW M4X8 (10 PCS.)	1	
40	301-789	FIN	1	
41A	301-790	SWITCH (2P PLUG IN TYPE) W/O LOCK	1	
42	980-834	SEAL	1	
43		NAME PLATE	1	
44	301-750	SHIFT KNOB	1	
45	980-838	HOOK	1	
46	301-791	MACHINE SCREW (W/SP. WASHER) M3.5X6	1	
47	991-666	TERMINAL SUPPORT	1	
* 48	991-642Z	BATTERY EB 9 (W/ENGLISH N.P.)	1	
* 48	991-641Z	BATTERY EB 9 (W/GERMAN N.P.)	1	FOR FRG,AUT
* 48	991-680	BATTERY EB 9 (W/GERMAN N.P.)	1	FOR SUI
* 48	991-643Z	BATTERY EB 9 (W/FRENCH N.P.)	1	FOR FRA

*: ALTERNATIVE PARTS

