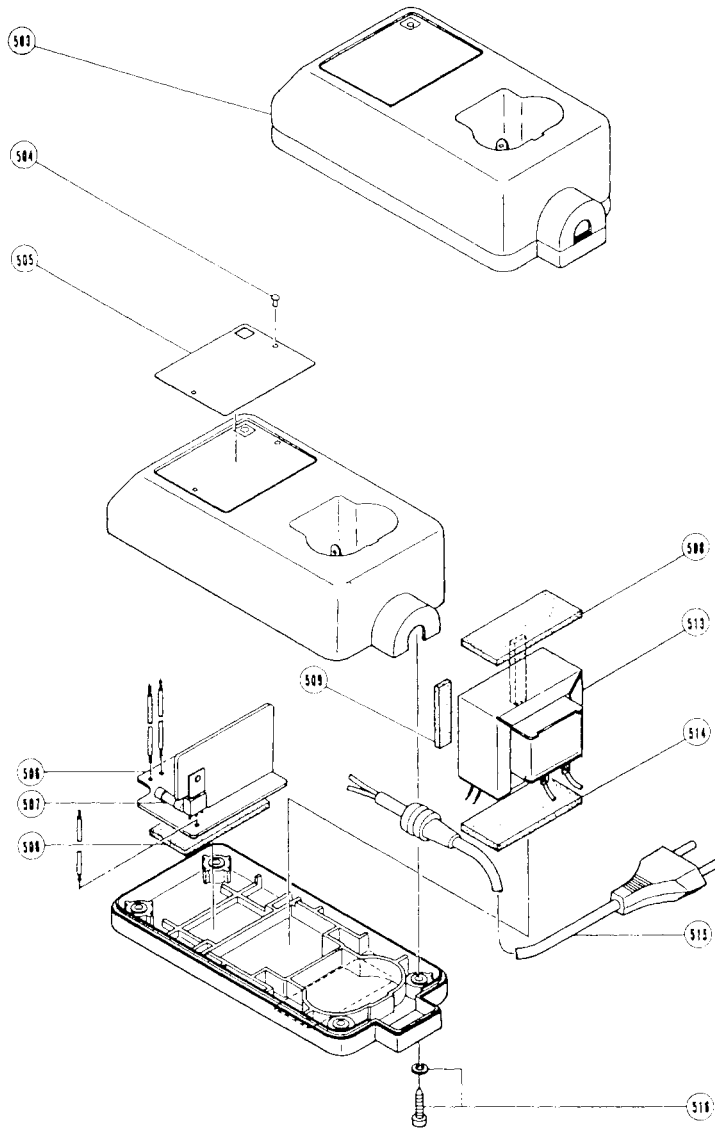


ITEM NO.	PART NO.	NO. USED	DESCRIPTION	SUPPLY Q'TY	ITEM NO.	PART NO.	NO. USED	DESCRIPTION	SUPPLY Q'TY
1	980836	1	Flat Head Screw (Left Hand) M5×20 till 9 / 86		18	981334	1	Damper	
1 A	992077	1	Flat Head Screw (Left Hand) M5×17 since 10 / 86		19	981351	1	Washer	
2	980057	1	Chuck Wrench		20	994677	1	Metal D4×6 (old 980827)	
3	950292	1	Drill Chuck 10TLR (includes Item 2)		21	949423	1	Washer M14	10
4	984327	2	Tapping Screw D3×8		22	980823	1	Second Pinion	
5	991663	1	Plate		23	997752	2	Metal (old 980556)	
6	981355	1	Spindle (B)		24	981348	1	Final Gear	
7	6000VV	2	Ball Bearing 6000VVCMP2S		25	992071	1	Motor	
8	939540	2	Retaining Ring 10M	10	26	—	1	Housing (B) Use Item No. 49	
9	991576	1	Cap		27	—	1	Name Plate	
10	991575	1	Spring Holder		28	930446	5	Tapping Screw D4×16 w / Washer	
11	981356	1	Case		29	992074	1	Machine Screw D4×25w / Spring Lock Washer.Washer	
12	981359	1	Spring		30	937638	1	HITACHI Label	
13	981338	1	Thrust Bearing		31	—	1	Housing (A) Use Item No. 49	
14	981336	1	Ratchet		32	981344	1	Bit Cover	
15	959155	8	Steel Ball D3.9	10	33	992078	1	Seal till 11 / 87	
16	981335	1	Ball Holder		33 A	980834	1	Seal since 12 / 87	
17	981332	1	Spindle (A)						



ITEM NO.	PART NO.	NO. USED	DESCRIPTION	SUPPLY Q'TY	ITEM NO.	PART NO.	NO. USED	DESCRIPTION	SUPPLY Q'TY
34	992104	1	Switch		49	981361	1	Housing Assembly (includes Item 35)	
35	980840	1	Cushion (A)		50	981360	1	Bit Plate	
36	980829	1	Shift Spring		501	955654	1	Plus Bit (A) No.2×70	
37	980828	1	Shift Knob		502	—	1	BC-2 Charger (includes Item 503-516)	
38	980833	1	Switch Lock		503	980646Z	1	Case	
39	980837	1	Key Holder		504	949510	2	Rivet D2.5×4.8	10
40	980838	1	Hook		505	—	1	Name Plate	
41	949554	1	Nut M4	10	506	980639Z	1	Print Board Assembly (includes Item 507)	
42	949201	1	Machine Screw M3×5	10	507	980641Z	1	Fuse	
43	949451	1	Spring Washer	10	508	980623	2	Cushion	
44	992073	1	Fin		509	982520	2	Spacer	
45	980581	1	Battery Case Holder		513	980637Z	1	Transformer (includes Item 514)	
46	980579Z	1	Battery (Model B-2)		514	980623	1	Cushion	
47	990398	1	Bearing Washer		515	980645Z	1	Cord	
48	992079	1	Spacer		516	980612	4	Tapping Screw D4×25 w / Washer	