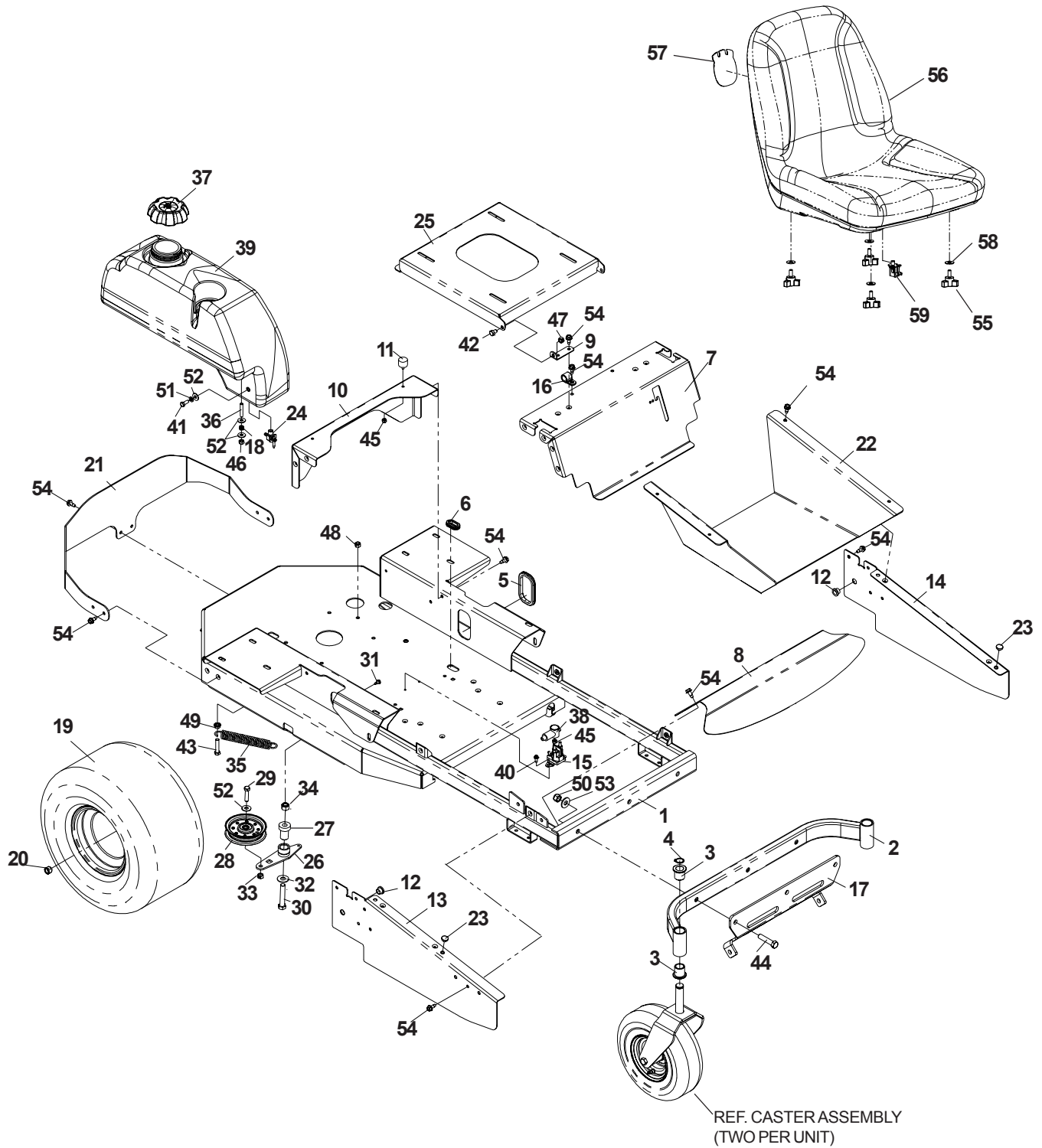


# MAIN FRAME ASSEMBLY



# MAIN FRAME ASSEMBLY

ITEM	PART NO.	QTY.	DESCRIPTION
1	539107967	1	MAINFRAME W/DECALS
2	539108045	1	CASTER AXLE W/BUSHINGS
3	539101232	4	BUSHING, FLANGED - PM
4	539101151	2	RETAINING RING
5	539107116	2	GROMMET
6	539105974	1	GROMMET, RUBBER
7	539107966	1	SEAT SUPPORT W/DECALS
8	539107585	1	FOOT PLATE, FRONT
9	539107561	2	SEAT BRACKET
10	539107565	1	SUPPORT, REAR
11	539105039	2	STUD PLATE MOUNT
12	539100032	5	BUSHING, NYLON FLANGED
13	539107579	1	FRAME SIDE, RIGHT
14	539107581	1	FRAME SIDE, LEFT
15	539101714	1	SOLENOID
16	539102685	1	CLIP
17	539107480	1	STRUT MOUNT
18	539102845	8	SPRING, TANK MOUNT
19	539107547	2	TIRE ASSEMBLY
	539108009	1	TIRE
	539108008	1	RIM
	539912234	1	VALVE STEM
20	539101173	8	NUT, LUG 1/2"
21	539107575	1	BUMPER, REAR
22	539107587	1	PAN, FLOOR
23	539102587	4	STOP, RUBBER
24	539107804	1	VALVE, FUEL
25	539107968	1	SEAT MOUNT W/DECALS
26	539107553	1	PUMP IDLER ARM
27	539101231	1	IDLER SPINDLE
28	539107620	1	PULLEY, IDLER
29	539990655	1	HCS 3/8C X 1 1/2
30	539101332	1	HCS 1/2C X 2 3/4

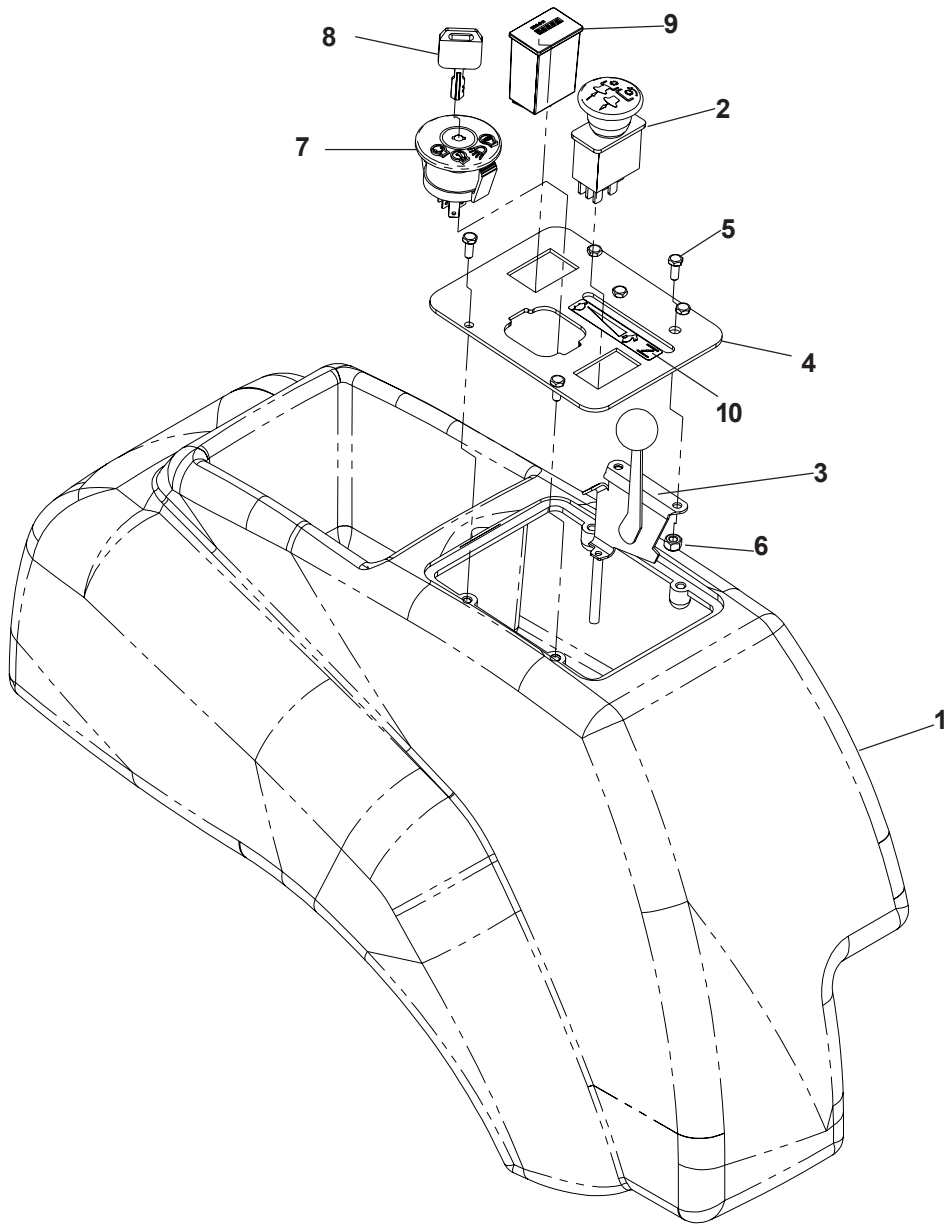
CONTINUED ON PAGES 6 AND 7



# MAIN FRAME ASSEMBLY

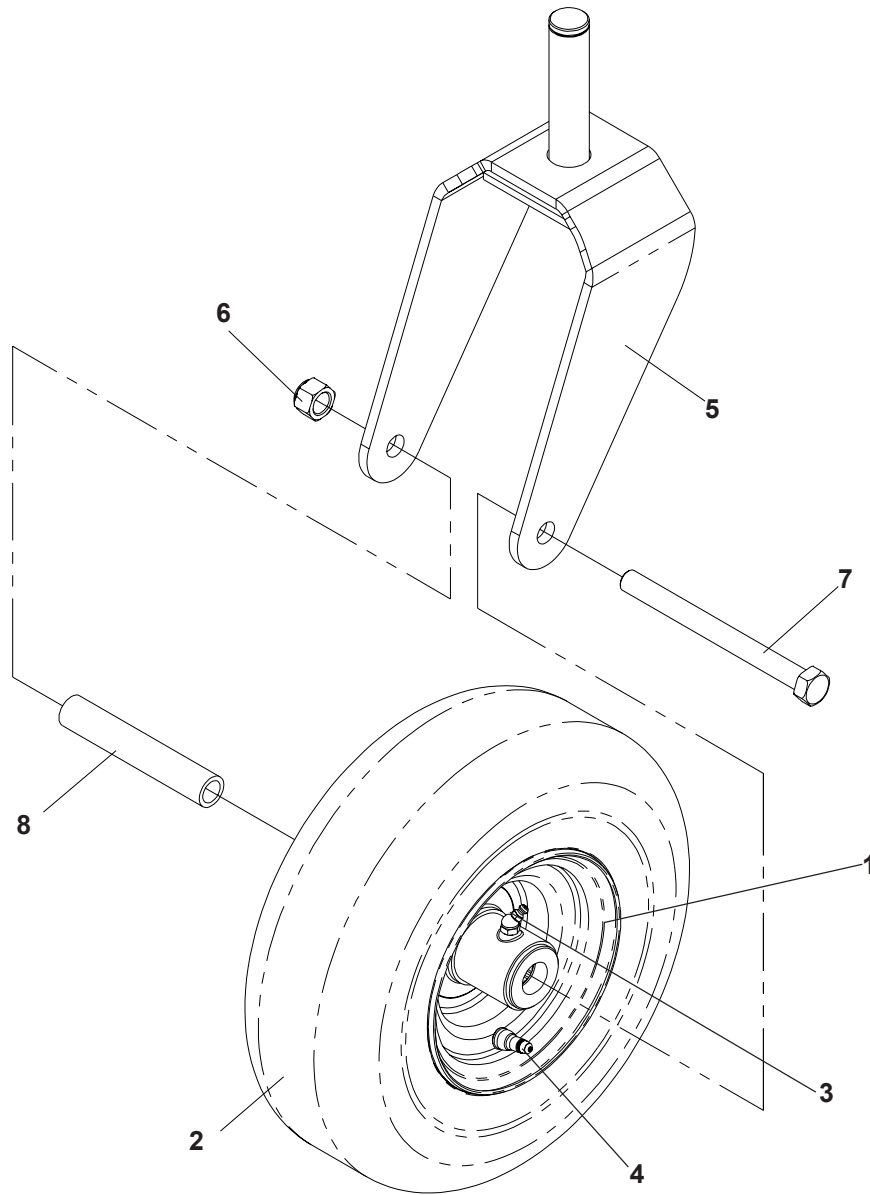
ITEM	PART NO.	QTY.	DESCRIPTION
31	539991034	4	SCREW, #10-24 X 1/2
32	539990550	1	WASHER, 1/2, FLAT
33	539990546	1	NUT, 3/8C, CENTER LOCK
34	539101331	1	NUT, 1/2C, NYLOC
35	539101977	1	SPRING, TRACTION
36	539102502	8	STUD, 5/16C
37	539107598	1	FUEL CAP
38	539102759	3	INSULATOR
39	539104409	1	FUEL TANK, LEFT
40	539990362	2	SCREW 1/4C X 5/8, SELF TAPPING
41	539976934	4	HCS 5/16C X 3/4
42	539106776	2	HCS 3/8C X 1/2
43	539990629	1	HCS 3/8C X 2 1/4
44	539107706	3	HCS 1/2C X 2 1/4
45	539976978	4	NUT, 1/4C, NYLOC
46	539990717	13	NUT, 5/16C, NYLOC
47	539990546	2	NUT, 3/8C, CENTER LOCK
48	539976979	9	NUT, 3/8C, NYLOC
49	539990613	1	NUT, 3/8C, SERR WASHER
50	539101331	3	NUT, 1/2C, NYLOC
51	539990187	2	LOCK WASHER, 5/16
52	539990692	23	WASHER, 5/16, FLAT
53	539990550	3	WASHER, 1/2, FLAT
54	539107475	44	BOLT, 5/16-18 X 3/4, THREAD FORMING
55	539104411	4	KNOB W/STUD
56	539107582	1	SEAT
57	539104789	1	DECAL, SMALL CROWN
58	539990692	4	WASHER, 5/16, FLAT
59	539107523	1	SWITCH, SEAT

# CONSOLE ASSEMBLY



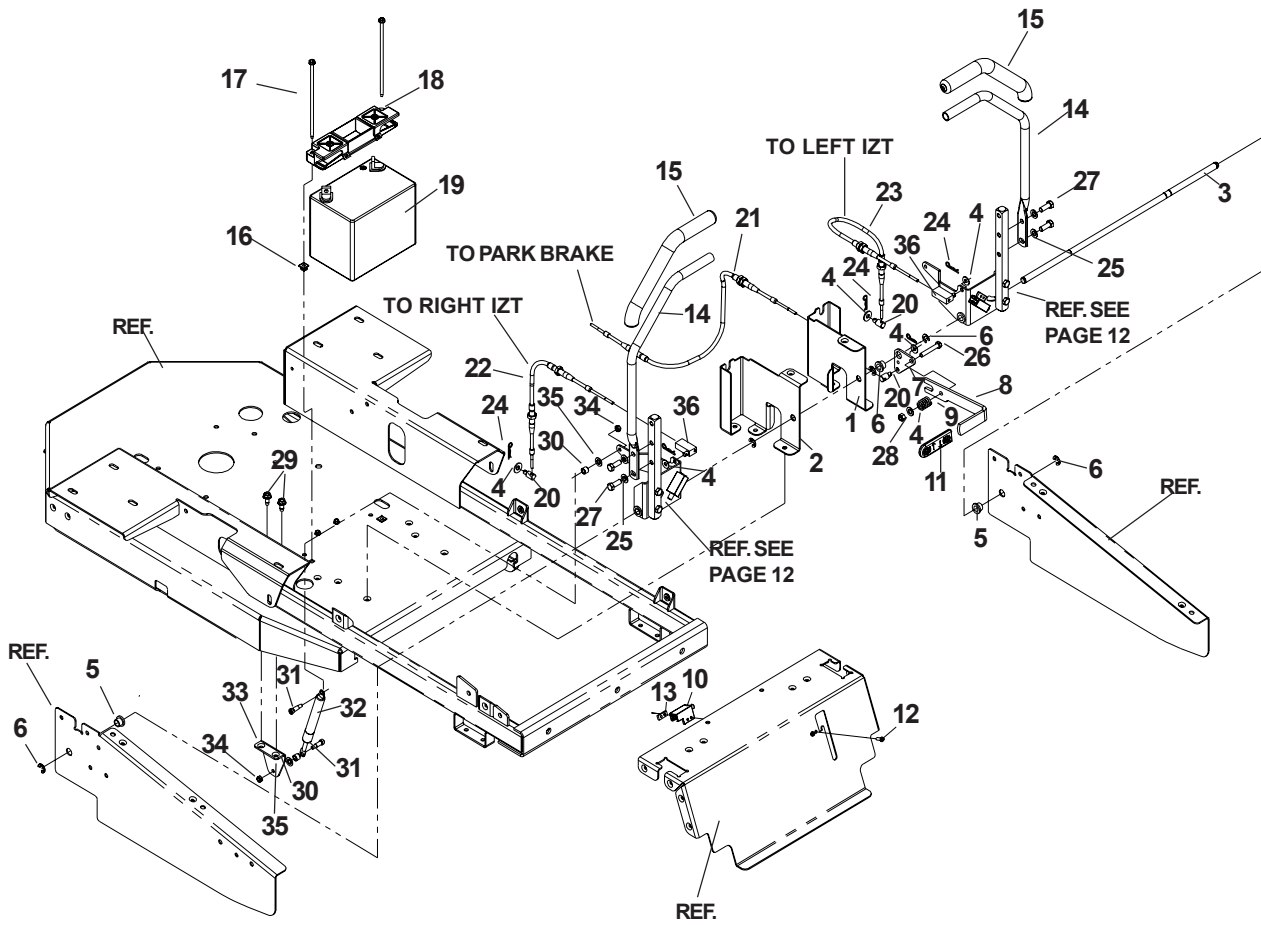
ITEM	PART NO.	QTY.	DESCRIPTION
1	539107593	1	CONSOLE
2	539101768	1	CLUTCH SWITCH
3	539107583	1	THROTTLE CABLE
4	539107589	1	CONTROL CONSOLE
5	539990411	6	SCREW #10-24 X 1/2
6	539976977	2	NUT #10-24, NYLOC
7	539107541	1	IGNITION SWITCH
8	539107544	1	KEY
9	539102540	1	HOUR METER
10	539107957	1	DECAL, THROTTLE

# CASTER ASSEMBLY



ITEM	PART NO.	QTY.	DESCRIPTION
.....	539106993	1	TIRE (COMPLETE)
1	539106994	1	RIM
2	539106995	1	TIRE 410/350-5, 4 PLY
3	539103300	1	ZERK
4	539912234	1	VALVE STEM
5	539107494	1	CASTER WELDMENT
6	539101331	1	NUT 1/2C, NYLOC
7	539101907	1	HCS 1/2C X 5 1/2
8	539105543	1	SPACER

# MOTION CONTROL ASSEMBLY

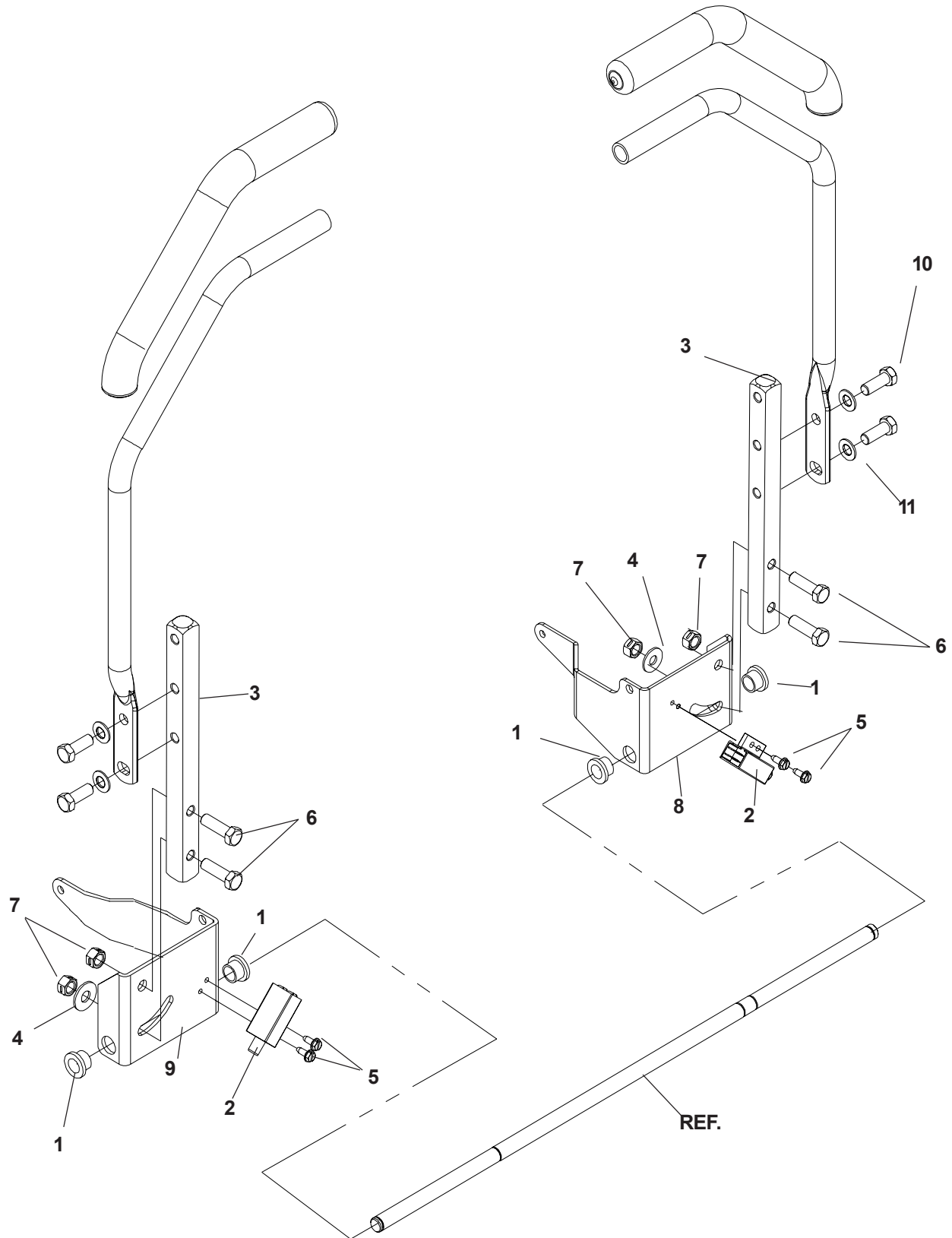


# MOTION CONTROL ASSEMBLY

ITEM	PART NO.	QTY.	DESCRIPTION
1	539107528	1	BATTERY SUPPORT, LEFT
2	539107530	1	BATTERY SUPPORT, RIGHT
3	539107568	1	CONTROL PIVOT SHAFT
4	539990692	24	WASHER, 5/16 FLAT
5	539100032	5	BUSHING, NYLON FLANGED
6	539101949	6	E-RING, 1/2"
7	539107603	1	BRAKE LEVER
8	539107576	1	UPPER BRAKE LEVER
9	539976438	1	SPRING
10	539101080	1	SWITCH N.C.
11	539105036	1	GRIP, PARK BRAKE
12	539976952	2	SCREW, #10-24 X 5/8 MACH.
13	539102678	1	TAPPED PLATE
14	539107526	2	CONTROL LEVER
15	539102592	2	DRIVE LEVER CUSHION
16	539107629	2	PUSH NUT, NYLON
17	539107632	2	BOLT, 1/4-20 X 7 1/2
18	539107628	1	BATTERY HOLD DOWN
19	539102436	1	BATTERY, DRY
20	539107569	3	CONTROL SWIVEL
21	539107592	1	CABLE, BRAKE
22	539107623	1	CABLE, RIGHT
23	539107624	1	CABLE, LEFT
24	539976988	7	COTTER, HAIRPIN
25	539102593	4	WASHER, 3/8 SPRING
26	539976937	1	HCS 5/16C X 2
27	539990563	4	HCS 3/8C X 1
28	539990717	13	NUT, 5/16C NYLOC
29	539107475	48	BOLT 5/16-18 X 3/4, THREAD FORMING
30	539102827	4	SPACER
31	539102828	4	BOLT 5/16C X 5/8, SHLD
32	539108793	2	DAMPENER
33	539108072	2	BRACKET, DAMPENER
34	539108120	5	NUT 1/4C, THIN NYLOC
35	539103547	4	WASHER
36	539108663	2	UPPER CABLE END



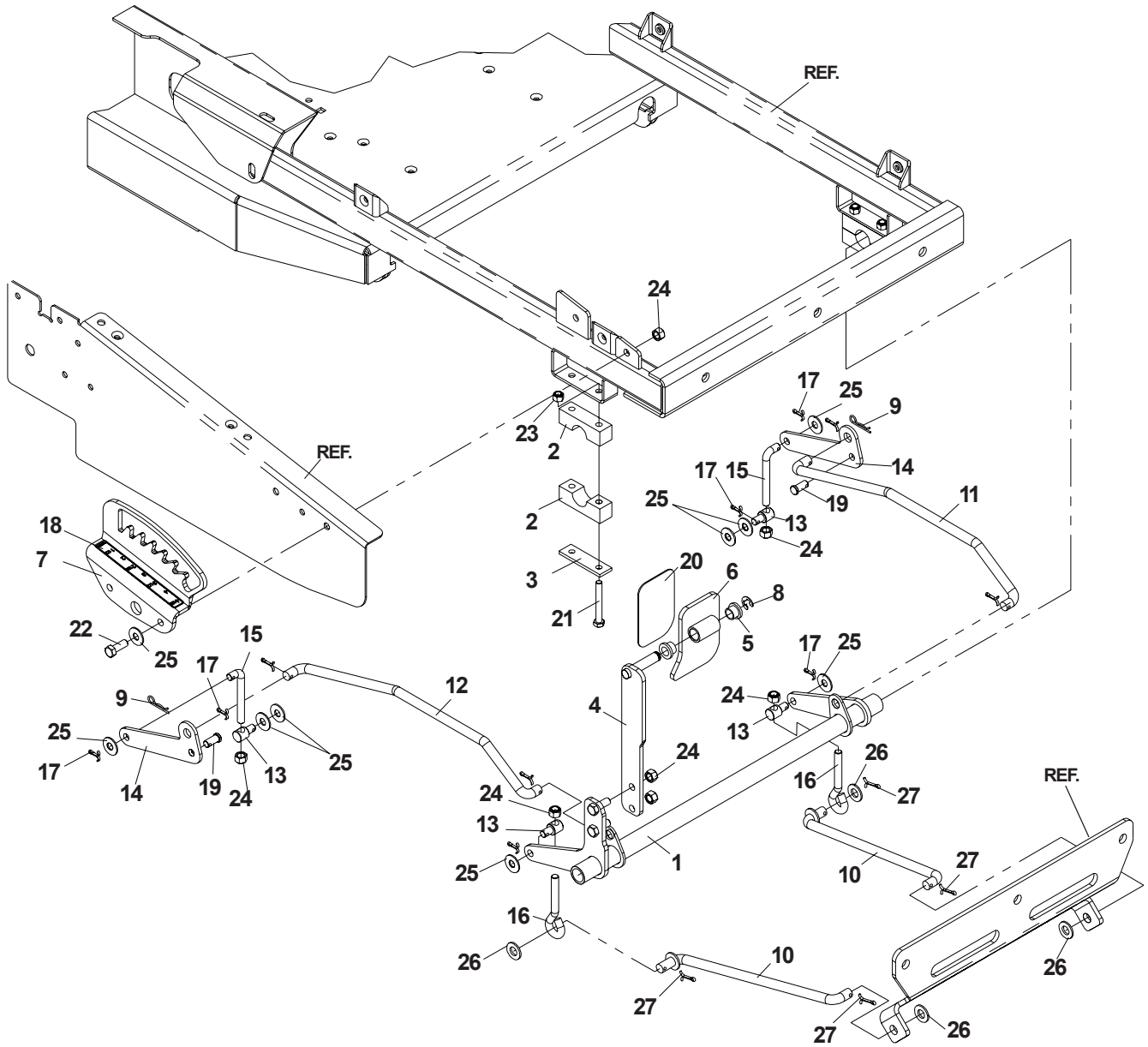
# MOTION CONTROL LEVERS



# MOTION CONTROL LEVERS

ITEM	PART NO.	QTY.	DESCRIPTION
1	539100032	4	BUSHING, NYLON FLANGED
2	539101080	2	SWITCH N.C.
3	539107596	2	CONTROLARM
4	539990517	2	WASHER, 5/16 FLAT
5	539991034	4	SCREW 10-24 X 1/2, SELF TAPPING
6	539108046	4	TAPBOLT 3/8C X 1 1/2
7	539990546	4	NUT 3/8C, CENTER LOCK
8	539107599	1	CONTROL BRACKET, LEFT
9	539107597	1	CONTROL BRACKET, RIGHT
10	539990563	4	HCS 3/8C X 1
11	539102593	4	WASHER, 3/8, SPRING

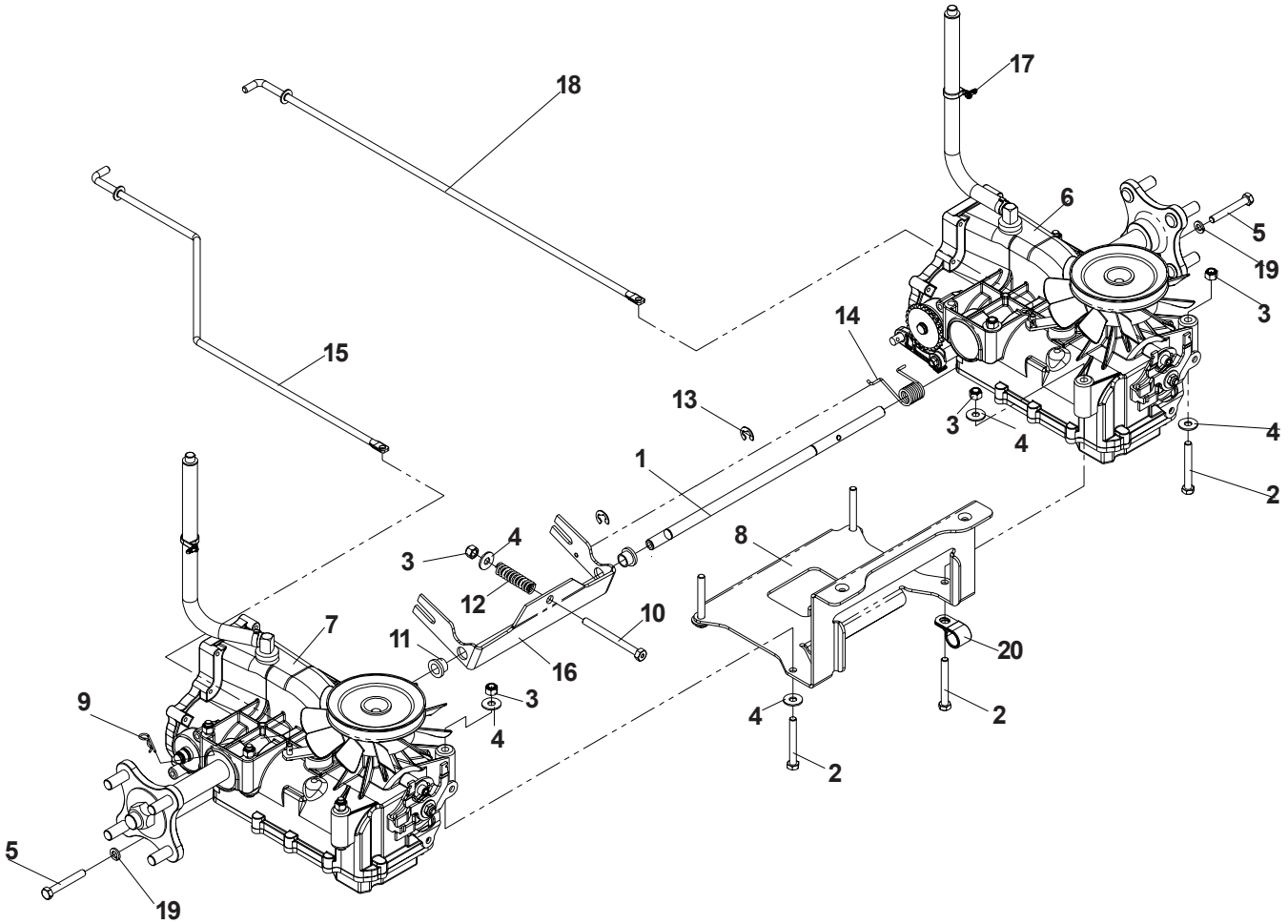
# DECK LIFT ASSEMBLY



# DECK LIFT ASSEMBLY

ITEM	PART NO.	QTY.	DESCRIPTION
1	539107535	1	CROSSSHAFT WLDMT.
2	539104808	4	PILLOW BLOCK
3	539104807	2	REINFORCEMENT BAR
4	539107538	1	LIFT ARM WLDMT.
5	539100032	5	BUSHING, NYLON FLANGED
6	539107543	1	FOOT PEDAL WLDMT.
7	539107542	1	HEIGHT PLATE
8	539101949	6	E-RING, 1/2"
9	539976988	5	PIN-HAIR COTTER
10	539107508	2	STRUT LINKAGE
11	539107509	1	LIFT LINKAGE, LEFT, PRIMARY
12	539107510	1	LIFT LINKAGE, RIGHT, PRIMARY
13	539107703	4	SWIVEL
14	539107567	2	REAR BELLCRANK
15	539107545	2	LIFT LINKAGE
16	539107484	2	EYE BOLT
17	539990365	12	PIN, COTTER, 1/8 X 3/4
18	539107591	1	DECAL, CUTTING HEIGHT
19	539107697	2	CLEVIS PIN
20	539107958	1	FOOT PAD
21	539991046	4	HCS 5/16C X 2 1/2
22	539976941	2	HCS 3/8C X 1 1/4
23	539990717	13	NUT, 5/16C, NYLOC
24	539976979	9	NUT, 5/16C, NYLOC
25	539990517	8	WASHER, 3/8, FLAT
26	539990250	4	WASHER, 1/2 SAE
27	539990654	4	COTTER PIN, 5/32 X 1 1/8

# IZT ASSEMBLY (Integrated Zereturn Transaxle)

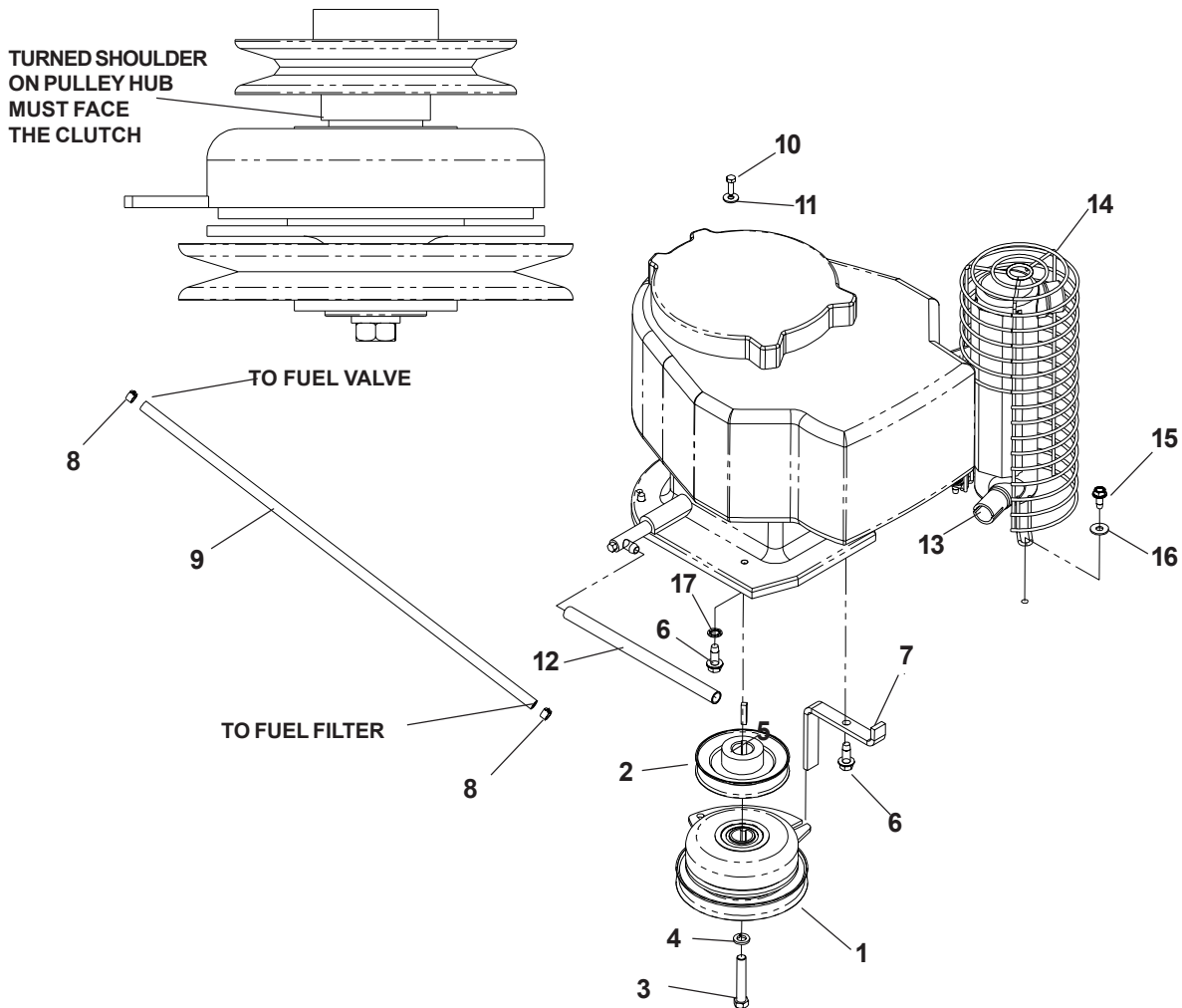


# IZT ASSEMBLY

## (Integrated Zeroturn Transaxle)

ITEM	PART NO.	QTY.	DESCRIPTION
1	539107554	1	TIE ROD
2	539991046	10	HCS 5/16C X 2 1/2
3	539990717	11	NUT, 5/16C, NYLOC
4	539990692	14	WASHER, 5/16, FLAT
5	539108002	2	HCS 5/16C X 2 1/4, GR. 8
6	539107605	1	IZT LEFT
7	539107606	1	IZT RIGHT
8	539107556	1	IZT SUPPORT
9	539976988	2	HAIRPIN COTTER
10	539107595	1	BOLT, BRAKE
11	539100032	2	BUSHING, NYLON FLANGED
12	539102796	1	SPRING
13	539101949	2	E-RING, 1/2"
14	539107708	1	SPRING-TORSION
15	539107498	1	BYPASS LINKAGE, RIGHT
16	539107488	1	BRAKE "U" ARM
17	539107921	2	RETAINER
18	539107931	1	BYPASS LINKAGE, LEFT
19	539990187	2	LOCKWASHER 5/16
20	539107891	1	CLIP
	539107710	1	IZT PUMP BELT (NOT SHOWN)

# KAWASAKI ENGINE ASSEMBLY

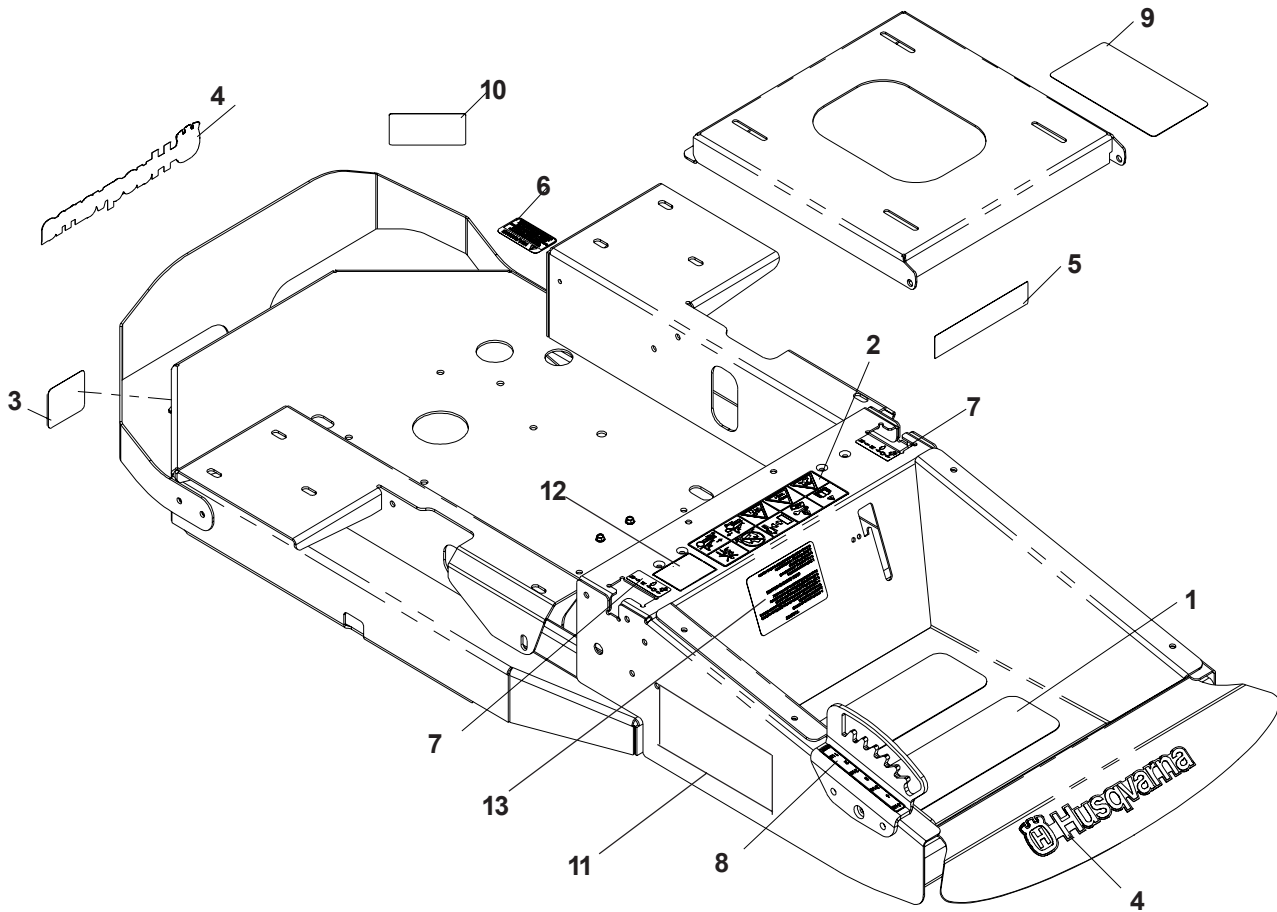


ITEM	PART NO.	QTY.	DESCRIPTION
1	539105804	1	CLUTCH 125 FT/LB
2	539107557	1	PULLEY
3	539991120	1	HCS 7/16F X 2 1/2
4	539990247	1	LOCKWASHER, 7/16
5	539101995	1	KEY, 1/4" SQ. X 1 1/8"
6	539107476	4	BOLT 3/8-16 X 1, THREAD FORMING
	539104415	1	KAWASAKI PIGTAIL (NOT SHOWN)
7	539107573	1	CLUTCH TIE DOWN
	539105637	1	CLUTCH HARNESS (NOT SHOWN)
8	539912222	2	HOSE CLAMP
9	539105527	1	FUEL LINE, 24"
10	539107955	1	HCS M6-1.0 X 20
11	539990598	1	WASHER, 1/4 FLAT
12	539107937	1	OIL DRAIN HOSE
13	539107892	1	MUFFLER
14	539108171	1	WIRE GUARD
15	539107475	3	BOLT, 5/16-18 X 3/4, THREAD FORMING
16	539990692	3	WASHER, 5/16
17	539108266	1	WASHER, 3/8, INTERNAL TOOTH
	539108120	1	NUT, 1/4C, THIN NYLOC (NOT SHOWN, POSITIVE CABLE TO ENGINE)



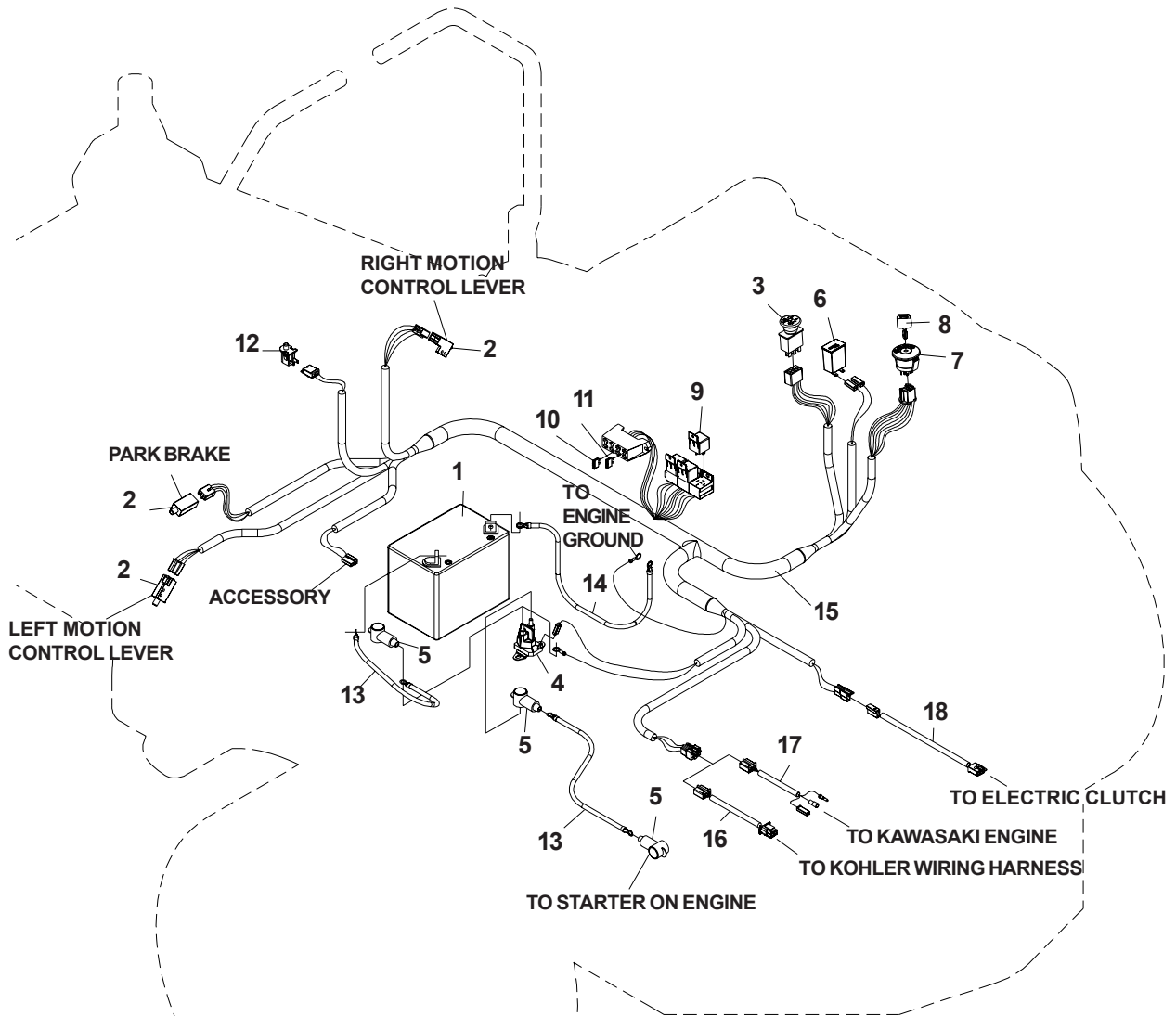


# DECAL PLACEMENT



ITEM	PART NO.	QTY.	DESCRIPTION
1	539977778	3	ABRASIVE PAD
2	539107959	1	DECAL, WARNING
3	539108385	1	DECAL, DO NOT TOW
4	539200732	2	DECAL, HUSQVARNA
5	539105745	1	EURO DECAL, BATTERY WARNING
6	539101881	1	DECAL, PROP 65
7	539103333	2	DECAL, MOTION CONTROL
8	539107591	1	DECAL, CUTTING HEIGHT
9	539107925	1	DECAL, SERVICE
10	539105744	1	EURO DANGER DECAL, BELT DRIVES
11	539107890	2	DECAL, CZ 4815
	539107889	2	DECAL, CZ 4817
12	539108386	1	DECAL, DRIVE LEVER
13	539108179	1	DECAL, START

# ELECTRICAL COMPONENTS



ITEM	PART NO.	QTY.	DESCRIPTION
1	539102436	1	BATTERY, DRY
2	539101080	3	SWITCH N.C.
3	539101768	1	SWITCH, CLUTCH
4	539101714	1	SOLENOID
5	539102759	3	INSULATOR
6	539102540	1	HOUR METER
7	539107541	1	SWITCH, IGNITION
8	539107544	1	KEY
9	539102914	3	RELAY
10	539102086	1	FUSE, 20 AMP
11	539101771	1	FUSE, 7.5 AMP
12	539107523	1	SWITCH, SEAT
13	539107616	2	BATTERY CABLE, POSITIVE
14	539107615	1	BATTERY CABLE, NEGATIVE
15	539107566	1	WIRING HARNESS
16	539107516	1	KOHLER PIGTAIL (Cz4817 ONLY)
17	539104415	1	KAWASAKI PIGTAIL (Cz4815 ONLY)
18	539105637	1	WIRING HARNESS, CLUTCH



# 48" DECK ASSEMBLY

ITEM	PART NO.	QTY.	DESCRIPTION
1	539107514	1	DECK WELDMENT, 48"
2	539108025	2	BELT SHIELD
3	539107610	4	WHEEL, GAUGE
4	539107614	1	BAFFLE, VORTEX, MOWER
5	539108668	1	TENSION RELIEF LEVER
6	539107612	1	ROLLER, NOSE, 48"
7	539107613	1	ROD, ROLLER, NOSE, NARROW
8	539103257	1	IDLER PULLEY
9	539103295	1	IDLER BUSHING
10	539102243	1	SUPPORT WASHER
11	539107620	1	PULLEY, IDLER
12	539107631	4	SCREW, 1/4-20 X 5/8, THDROLL
13	539107630	12	SCREW, WASHER HEAD
14	539107608	4	BOLT, SHOULDER
15	539107604	1	DISCHARGE CHUTE
16	539107609	1	SPRING, TORSION
17	539107618	1	ROD, HINGE
18	539107626	1	PUSHNUT
19	539107627	1	CAP-SLEEVE
20	539107617	1	BUSHING, PIVOT, TENSION RELIEF
21	539990365	2	COTTER PIN
22	539990582	1	HCS 3/8C X 1, SERRATED HEAD
23	539990717	5	NUT, 5/16C, NYLOC
24	539976979	6	NUT, 3/8C, NYLOC
25	539990208	1	RHSNB 5/16C X 1
26	539990799	3	BOLT, 5/16C X 5/8, CARRIAGE
27	539102612	1	HCS 3/8C X 2 3/4
28	539990730	1	HCS 3/8C, 1 3/4
29	539107803	1	TENSION RELIEF LINKAGE
30	539108883	1	SWIVEL
31	539990692	3	WASHER, 5/16, FLAT
32	539913010	1	DECAL, CPSC
33	539990196	1	NUT, 5/16C
34	539107709	1	DECK BELT
35	539107960	1	DECAL, BELT ROUTING
36	539107540	1	DECK IDLER ARM WLDMT.
37	539103257	1	IDLER PULLEY
38	539101231	1	IDLER SPINDLE
39	539103303	1	PAD
40	539101977	1	TRACTION SPRING
41	539101331	1	NUT, 1/2C, NYLOC
42	539101572	1	HCS 1/2C X 3
43	539990550	1	WASHER, 1/2, FLAT
44	539107518	3	STRIPPER, ROUND, UNIVERSAL
45	539107519	3	BLADE, HIGH LIFT
46	539107520	3	WASHER-SPACER
47	539107521	3	PULLEY
48	539107522	3	BOLT, 7/16, ASSY BLADE
49	539107590	3	NUT, 9/16, TOP CENTER LOCK
50	539107515	3	CUTTER HOUSING ASM, INCLUDES: BALL BEARINGS, MANDREL ASM, SHAFT ASM W/LOWER BEARING