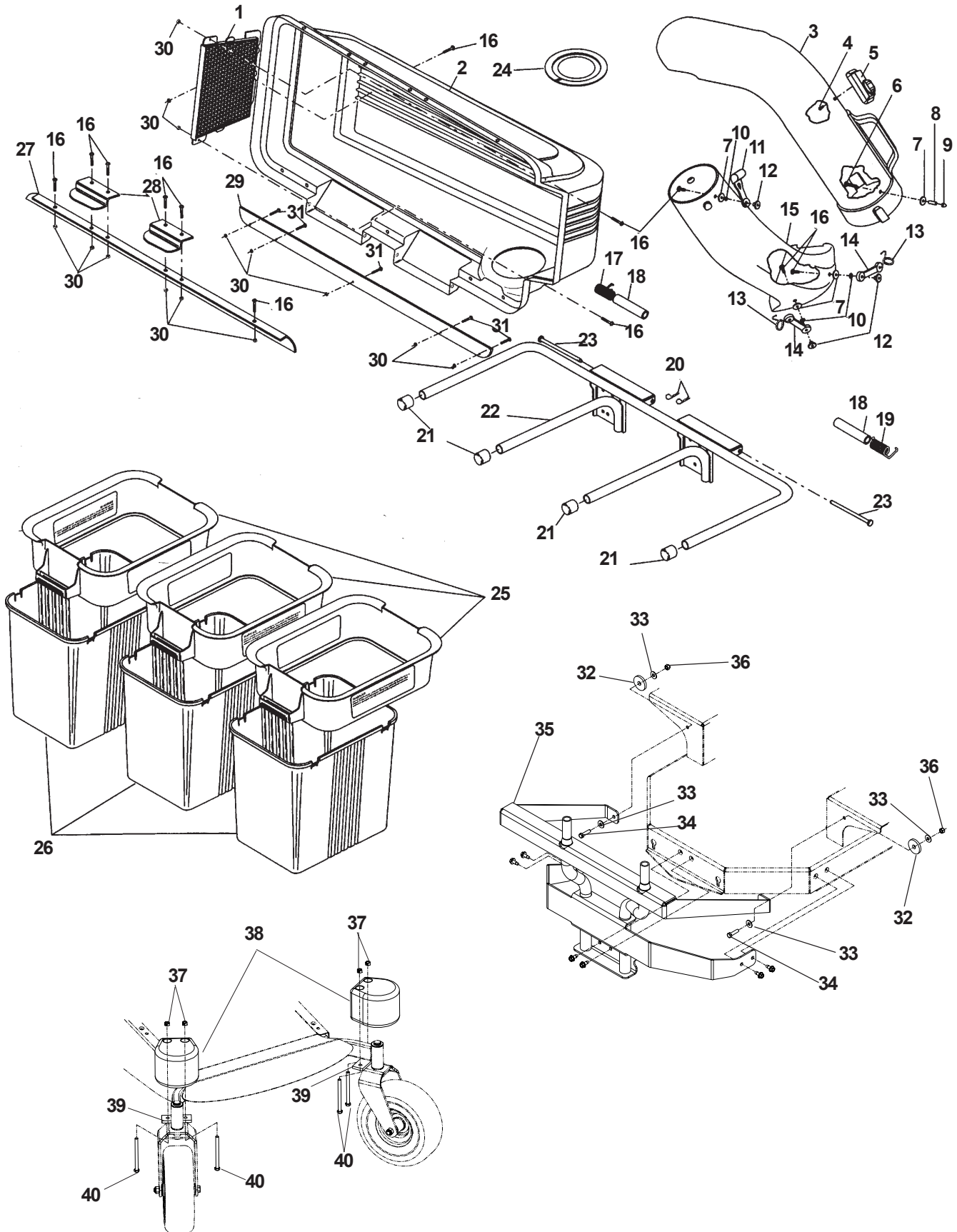


Model:
968999211 / CZ48

**Parts Manual
For
48 Inch Consumer Z
Grass Catcher**

(1/02/03)

PARTS



PARTS

ITEM	PART NO.	QTY.	DESCRIPTION
1	539108078	1	Screen, cover
2	539108079	1	Cover
3	539108141	1	Chute, upper
4	539108081	1	Screw, #10-14 x 1/2, special
5	539108082	1	Dump bag indicator
6	539108083	1	Screw, #10-24 x 1 1/8
7	539108084	4	Washer, 3/16 x 3/4 x 16 Ga.
8	539108085	1	Spacer, split
9	539108086	1	Nut, #10-24, acorn
10	539107360	3	Lockwasher
11	539108088	1	Latch, chute
12	539108089	3	Nut, weld
13	539108090	2	Latch, hook
14	539108091	2	Rubber, latch
15	539108092	1	Chute, lower
16	539976952	12	Screw, #10-24 x 5/8
17	539108093	1	Spring, cover L.H. (black)
18	539108094	2	Spacer, cover
19	539108095	1	Spring, cover R.H. (gray)
20	539108096	2	Spring, retainer
21	539108097	4	Plug, tubing end
22	539108098	1	Bagger, frame
23	539108099	2	Pin, hinge
24	539108100	1	Gasket, cover
25	539108101	3	Container, top
26	539108102	3	Container, bottom
27	539108103	1	Seal, cover
28	539108104	2	Handle, bagger cover
29	539108105	1	Strip, reinforcement
30	532069180	14	Nut, #10-24, crownlock (not included with unit)
31	532104419	5	Screw, #10-24 x 1/2 (not included with unit)
32	539106504	2	Washer, special
33	539990692	4	Washer, 5/16
34	539990627	2	Bolt, 5/16-18 x 1 1/4
35	539108014	1	Hitch
36	539990717	2	Nut, 5/16-18, nyloc
37	539990546	4	Nut, 3/8-16, centerloc
38	539108154	2	Wheel weight
39	539108156	2	Strap
40	539990591	4	Bolt, 3/8-16 x 4 1/2