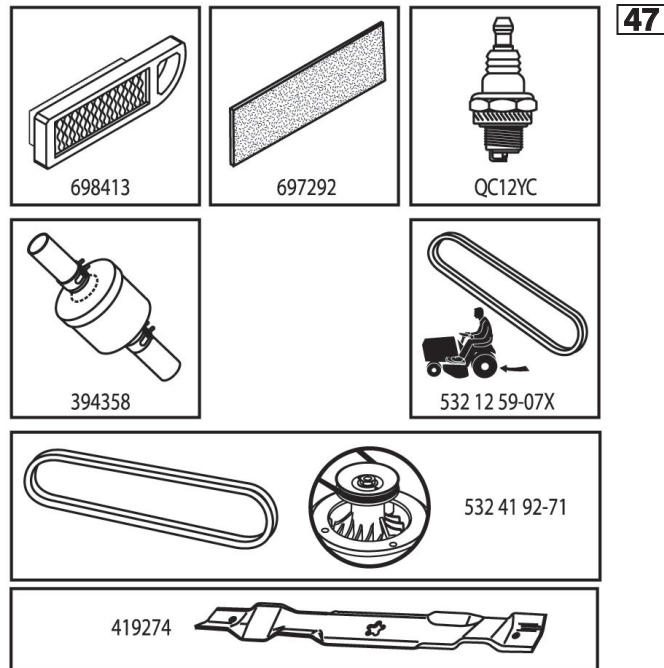


# ILLUSTRATED PARTS LIST

**MODEL NO. 96041014900**

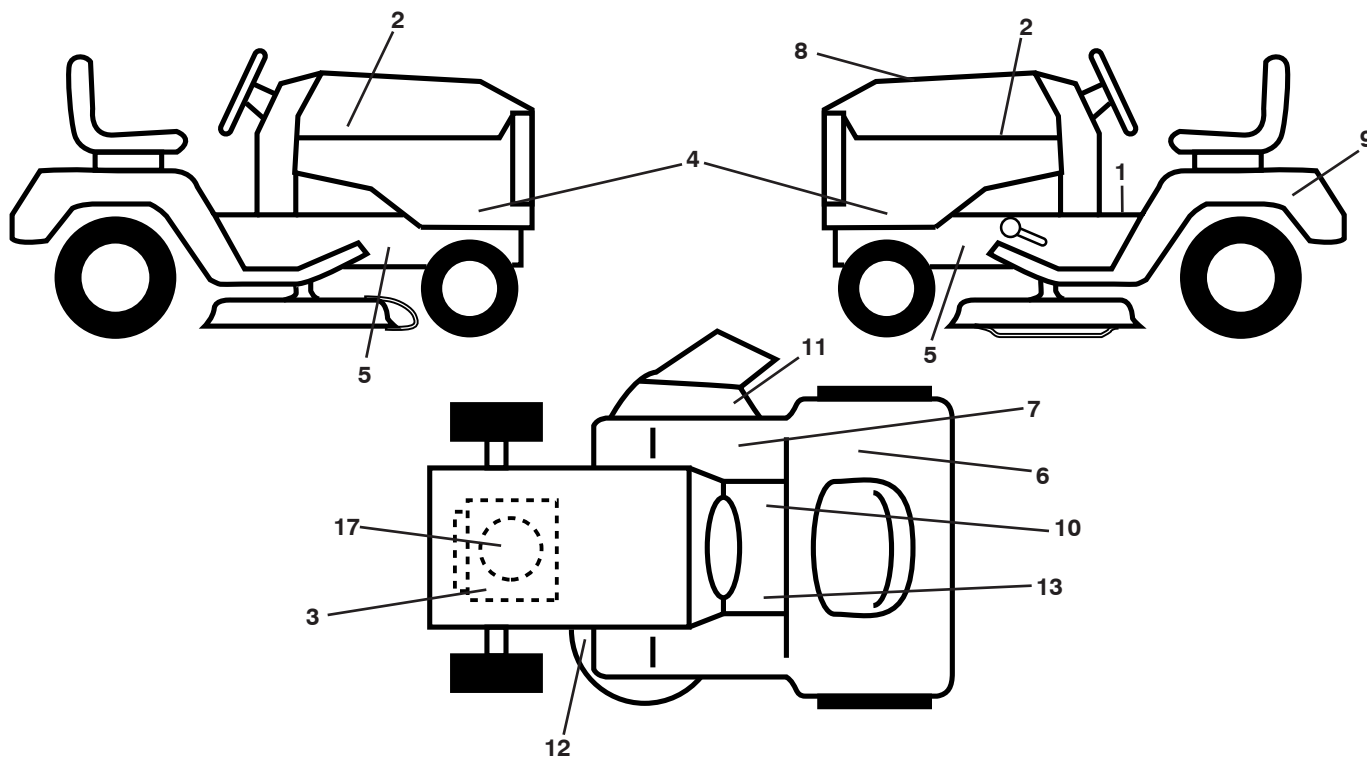
**CUSTOMER CATALOG NO. CTH126**

**PRODUCT NO. 960 41 00-49**



432875

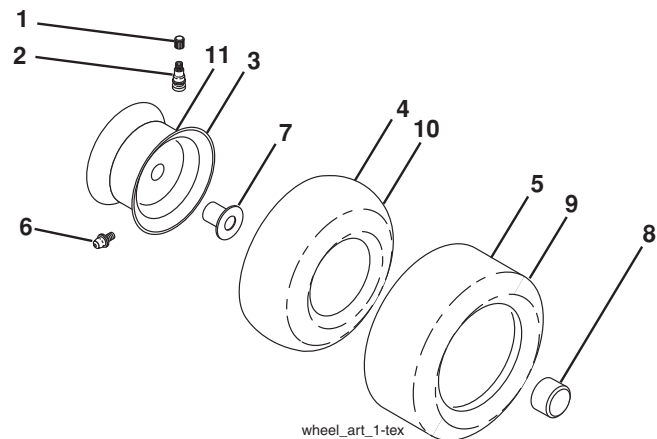
**TRACTOR - - MODEL NO. CTH126 (96041014900), PRODUCT NO. 960 41 00-49**  
**DECALS 27**



KEY NO.	PART NO.	DESCRIPTION
1	532 40 03-89	Decal, Operators
2	532 42 91-96	Decal, Hood Logo
3	532 19 68-41	Decal, Warning Eng. Symbols
4	532 42 56-79	Decal, Hood Panel
5	532 15 97-36	Decal, Chassis Hot Muffler
6	532 18 04-32	Decal, Fender 100 DB/CE
7	532 17 83-02	Decal, Oper Cruise Syms.
8	532 43 28-75	Decal, Rpl
9	532 14 50-05	Decal, Battery Dnge/Poi
10	532 14 08-37	Decal, Saddle Brake Parking
11	532 42 51-13	Decal, Warning DFlect/Ctfingr

KEY NO.	PART NO.	DESCRIPTION
12	532 42 15-43	Decal, Mower V-Belt Schematic
13	532 15 97-37	Decal, Brake/Clutch Symbol
17	532 41 79-26	Decal, BS Engine
--	532 16 69-60	Decal, Bypass
--	532 42 52-58	Pad, Footrest, LH
--	532 42 52-59	Pad, Footrest, RH
--	532 43 08-10	Manual Oper. Euro
--	532 43 08-11	Manual Oper. Scand
--	532 43 08-12	Manual Oper. E-Bloc
--	532 43 08-13	Manual Oper. Baltic
--	581 89 01-76	Manual Oper. Turkish

**WHEELS AND TIRES**



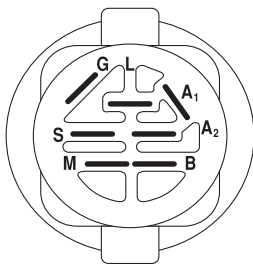
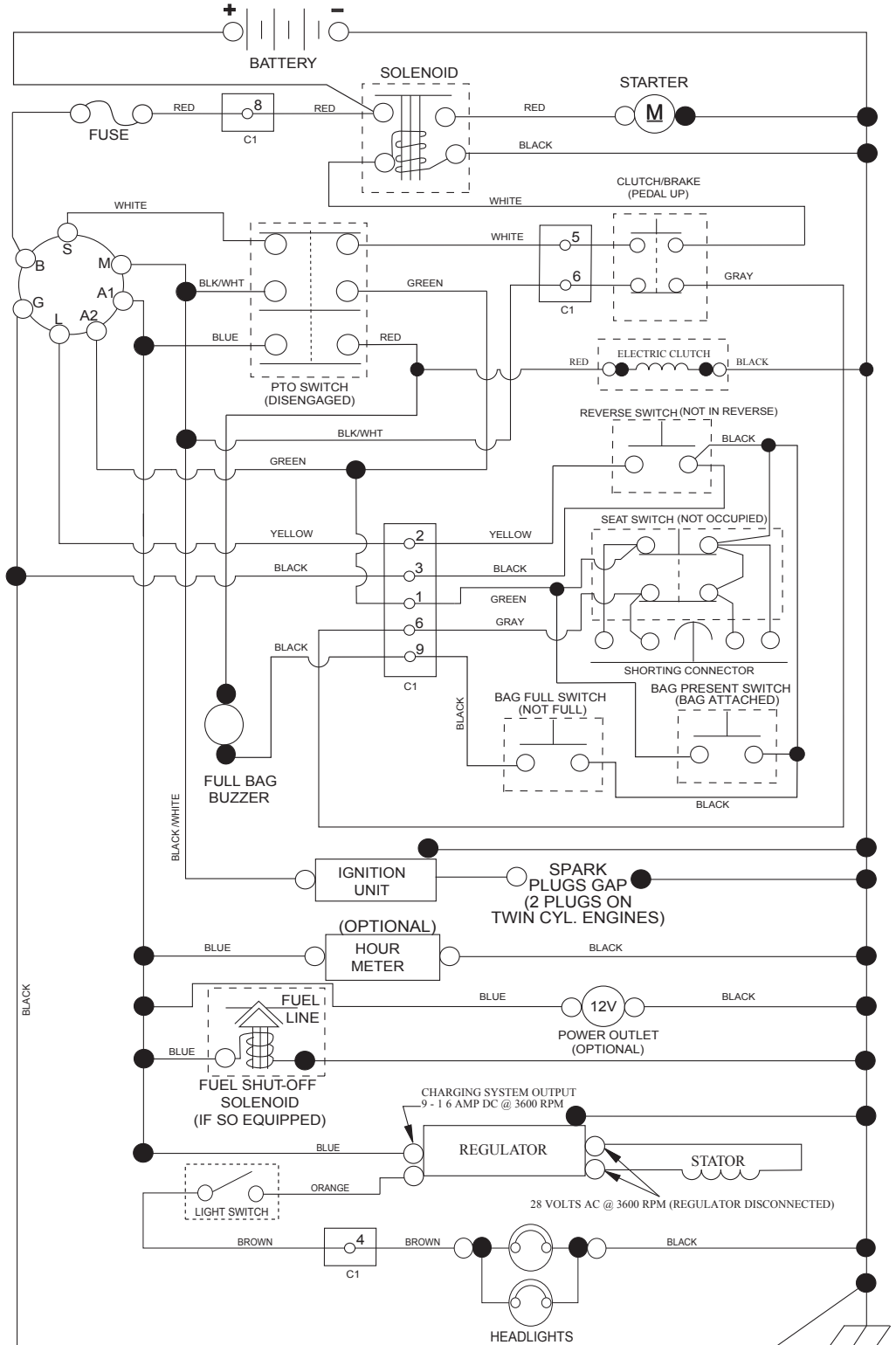
KEY NO.	PART NO.	DESCRIPTION
1	532 05 91-92	Cap Valve Tire
2	532 06 51-39	Stem Valve
3	532 42 52-61	Rim Asm 6 x 3.25 Front
4	532 42 16-52	Tube Front 13x5-6 (Service Item Only)
5	532 12 34-10	Tire F T 13 x 5.0 - 6
6	532 12 49-57	Fitting Grease (Front Wheel Only)
7	532 12 49-59	Bearing Flange (Front Wheel Only)
8	532 17 50-39	Cap Axle Blk 1 50 x 1 00
9	532 10 62-30	Tire R 16 x 6.5
10	532 00 71-54	Tube Rear (Service Item Only)
11	532 42 52-62	Rim Asm 8 x 5.375 Rear
--	532 14 43-34	Sealant, Tire (10 oz. Tube)

**NOTE:** All component dimensions given in U.S. inches  
 1 inch = 25.4 mm

# TRACTOR - - MODEL NO. CTH126 (96041014900), PRODUCT NO. 960 41 00-49

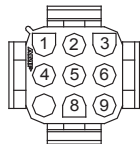
## SCHEMATIC **38**

SCH19

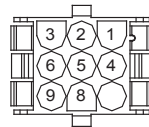


IGNITION SWITCH

POSITION	CIRCUIT	"MAKE"
OFF	M+G+A1	
RUN/OVERRIDE	B+A1	
RUN	B+A1	L+A2
START	B + S + A1	



CHASSIS HARNESS CONNECTOR (C1) (MATING SIDE)



DASH HARNESS CONNECTOR (C1) (MATING SIDE)

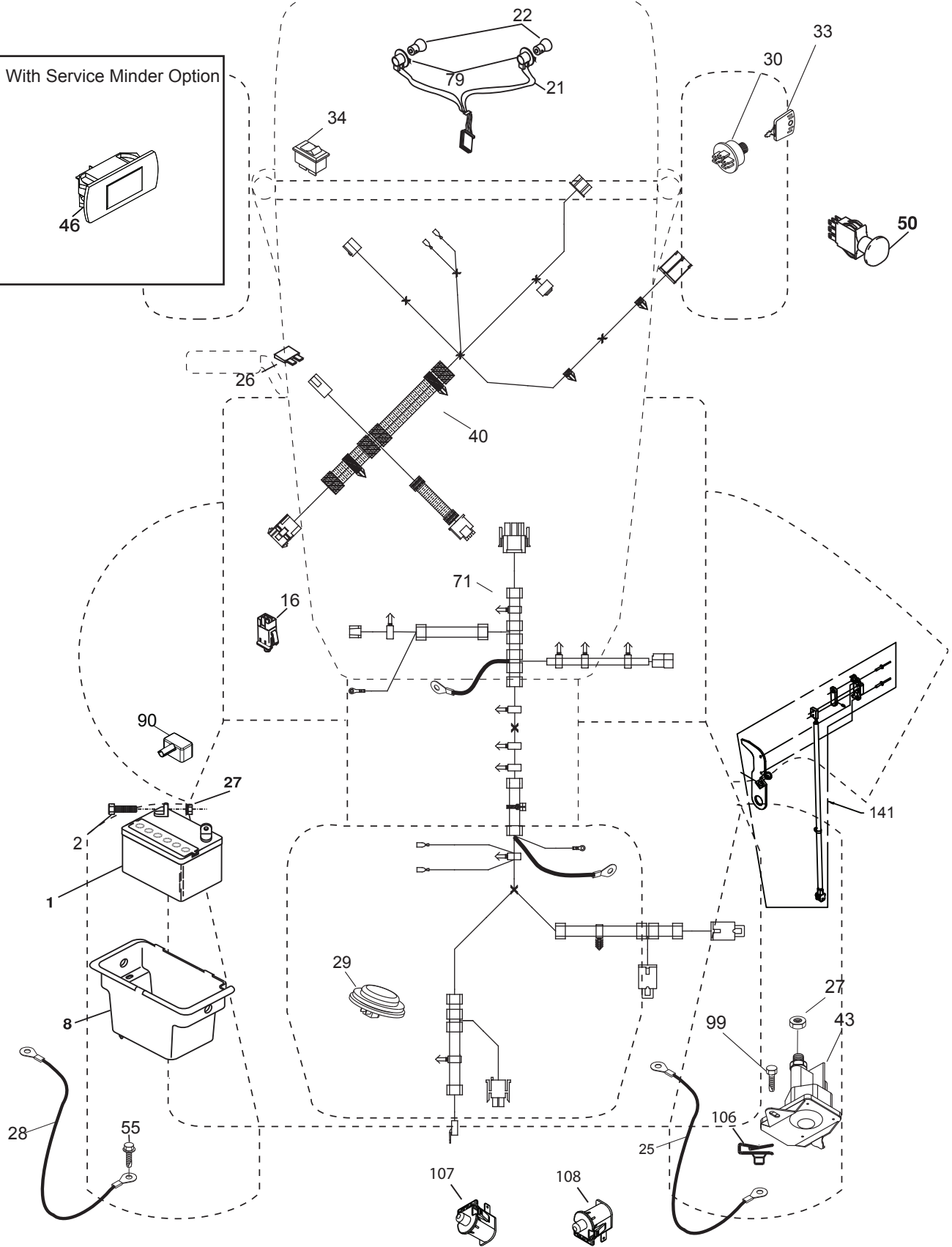
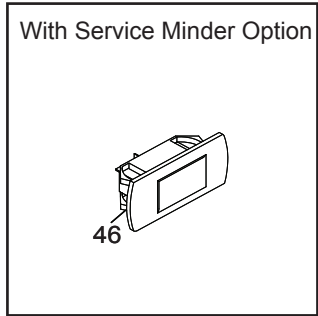
WIRING INSULATED CLIPS  
NOTE: IF WIRING INSULATED CLIPS WERE REMOVED FOR SERVICING OF UNIT, THEY SHOULD BE RE-INSTALLED TO PROPERLY SECURE YOUR WIRING.

● NON-REMOVABLE CONNECTIONS

○ REMOVABLE CONNECTIONS

TRACTOR - - MODEL NO. CTH126 (96041014900), PRODUCT NO. 960 41 00-49  
ELECTRICAL **32**

S04S

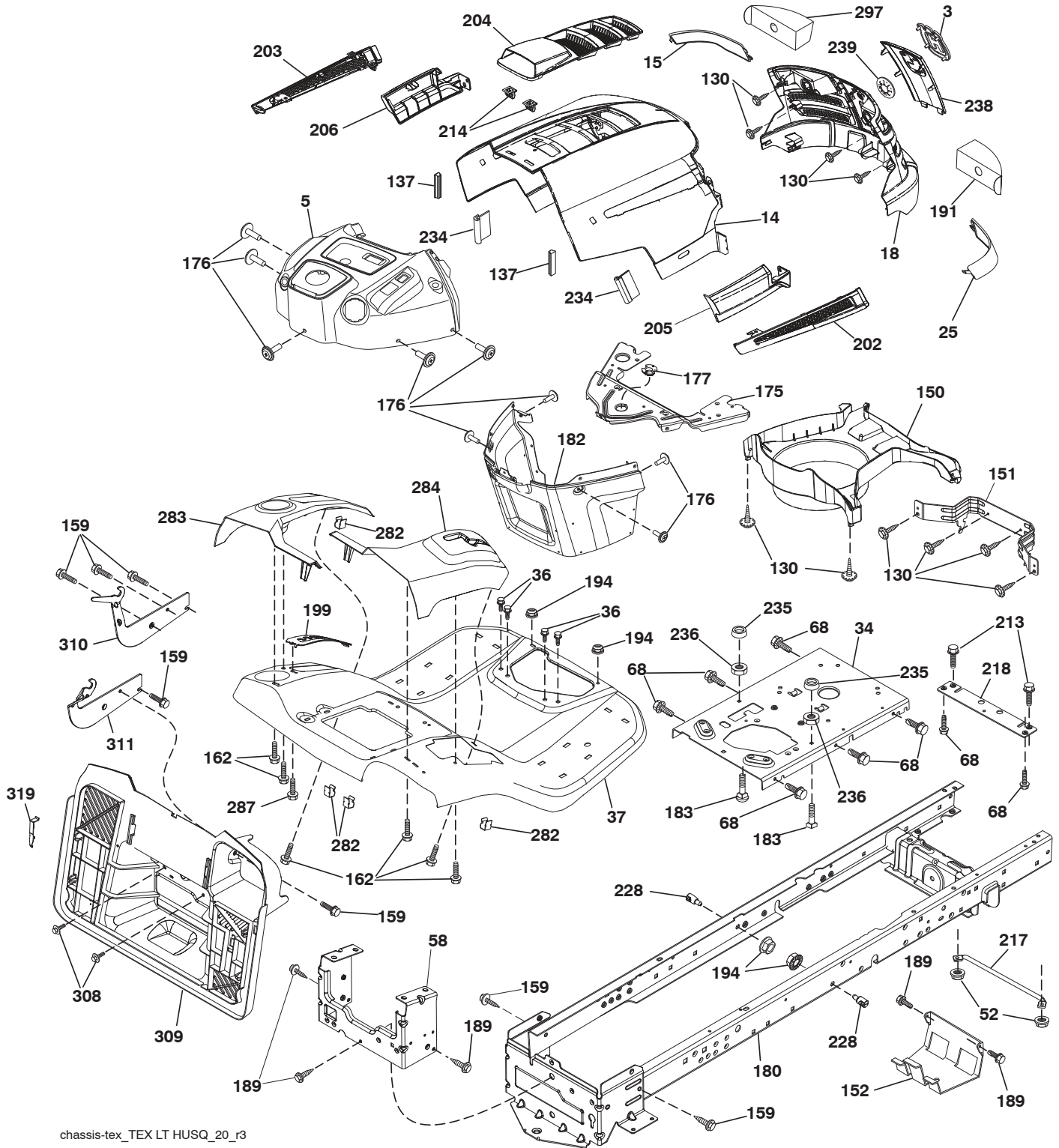


**TRACTOR - - MODEL NO. CTH126 (96041014900), PRODUCT NO. 960 41 00-49**  
**ELECTRICAL 32**

<b>KEY NO.</b>	<b>PART NO.</b>	<b>DESCRIPTION</b>
1	532 16 34-65	Battery
2	874 76 04-12	Bolt Hex Head 1/4-20 x 3/4
8	532 41 97-91	Box Battery
16	532 17 61-38	Switch Interlock Push-In
21	532 40 02-52	Harness Socket Light w/4152J
22	532 00 41-52	Bulb Light
25	532 41 66-94	Cable Starter
26	532 17 51-58	Fuse
27	873 51 04-00	Nut Keps Hex 1/4-20 unc
28	532 42 16-86	Cable, Ground
29	532 40 15-45	Switch, Seat
30	532 19 33-50	Switch, Ign
33	532 41 19-35	Key/Chain
34	532 11 07-12	Switch Light/Reset
40	532 42 95-33	Harness Ign. Dash
43	532 19 25-07	Solenoid
46	532 40 17-63	Gauge
50	532 17 46-51	Switch PTO
55	817 06 05-12	Screw Thdrol 5/16-18 x 3/4 TYTT
71	532 42 94-12	Harness Ign. Chassis
79	532 17 52-42	Socket Asm. Bulb
90	532 40 07-25	Cover Terminal
99	817 67 04-12	Screw 1/4-20 x 3/4
106	532 17 48-14	Nut Speed 1/4-20
107	532 42 10-61	Switch Snapmount No #2
108	532 42 10-62	Switch Snapmount NC
141	532 41 69-77	Kit T2 ROS

**NOTE:** All component dimensions given in U.S. inches  
1 inch = 25.4 mm

**TRACTOR - - MODEL NO. CTH126 (96041014900), PRODUCT NO. 960 41 00-49**  
**CHASSIS AND ENCLOSURES 39**



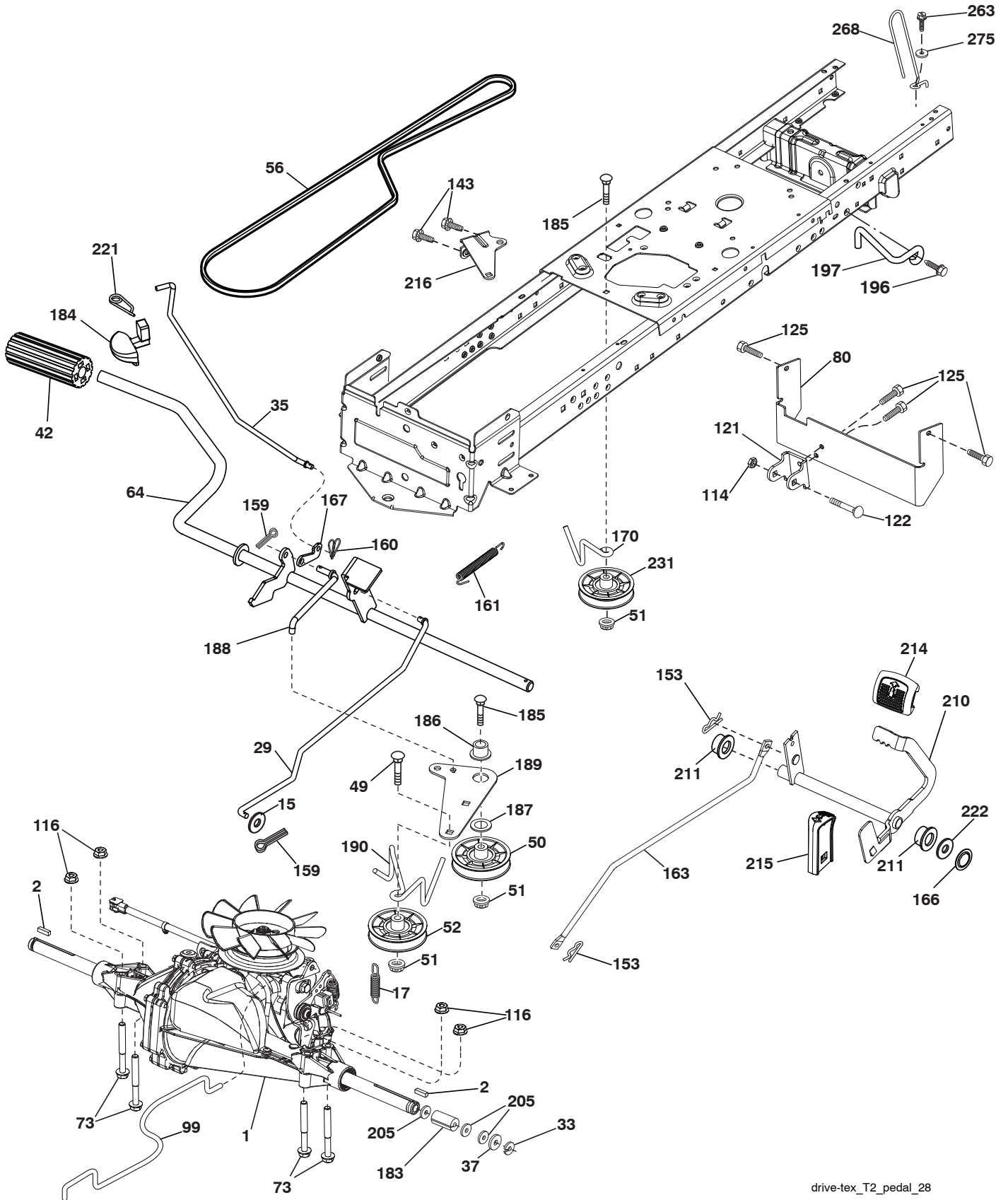
chassis-tex\_TEX LT HUSQ\_20\_r3

**TRACTOR - - MODEL NO. CTH126 (96041014900), PRODUCT NO. 960 41 00-49  
CHASSIS AND ENCLOSURES 39**

KEY NO.	PART NO.	DESCRIPTION	KEY NO.	PART NO.	DESCRIPTION
3	532 40 50-12	Logo	204	532 41 11-16	Vent Top Hood
5	532 40 75-94	Dash	205	532 41 10-76	Skirt Side RH
14	532 44 12-67	Hood	206	532 41 10-77	Skirt Side LH
15	532 41 10-79	Lens LH	213	874 76 05-12	Bolt 5/16-18 x 3/4
18	532 42 69-63	Grille	214	532 19 91-45	Clip Retainer
25	532 41 10-78	Lens RH	217	532 40 91-67	Rod Pivot Hood
34	532 19 61-25	Plate Engine	218	532 19 63-95	X-Piece Hood Stop
36	817 06 05-12	Screw 5/16-18 x 3/4	228	532 19 51-61	Stud Fastener
37	532 44 12-76	Fender	234	532 40 47-42	Bumper Hood
52	873 68 05-00	Nut Crown Lock 5/16	235	532 40 61-29	Spacer Fender
58	532 41 22-80	Drawbar Upper	236	873 93 05-00	Nut Lock 5/16-18 unc
68	817 49 05-08	Screw Thdrol. 5/16-18 x 1/2	238	532 41 11-19	Trim
130	532 41 63-58	Screw #10 x 0.750 BOS Thread	239	532 40 48-83	Clip Tinnerman
137	532 40 75-90	Bumper Dash	282	532 41 41-10	Clip Retainer
150	532 40 66-62	Air Duct	283	532 42 52-49	Console Deck Lift
151	532 40 78-07	Bracket Pivot	284	532 42 52-48	Console Shift
152	532 19 95-35	Shield Browning	287	817 60 04-06	Screw Hex Washhead 1/4-20 x 3/8
159	817 00 06-12	Screw Kexwsh Thdr 3/8-16 x 3/4	297	532 40 66-65	Insert Reflective LH
162	532 14 24-32	Screw Hex Wsh. Hi-Lo 1/4 x 1/2 unc	308	532 17 18-77	Bolt 5/16-18 unc x 3/4
175	532 19 94-72	Crossmember	309	532 43 02-46	Backplate Bagger SRD
176	532 40 07-76	Screw 10-24 x 5/8	310	532 41 71-95	Bracket Hangar Bag LH
177	532 19 52-28	Bushing Steering	311	532 41 71-96	Bracket Hangar Bag RH
180	532 41 46-85	Chassis	319	532 17 46-62	Bracket Actuator Bagger
182	532 40 71-76	Dash Lower			
183	874 52 05-20	Bolt 5/16-18 x 1-1/4			
189	817 00 05-12	Screw 5/16-18 x 3/4			
191	532 41 65-00	Insert Reflective RH			
194	873 90 05-00	Nut Lock Hex Flange 5/16-18			
199	532 41 87-39	Plate Deck Lift			
202	532 41 10-75	Vent Side Hood RH			
203	532 41 10-74	Vent Side Hood LH			

**NOTE:** All component dimensions given in U.S. inches  
1 inch = 25.4 mm

TRACTOR - - MODEL NO. CTH126 (96041014900), PRODUCT NO. 960 41 00-49  
DRIVE **40**



drive-tex\_T2\_pedal\_28

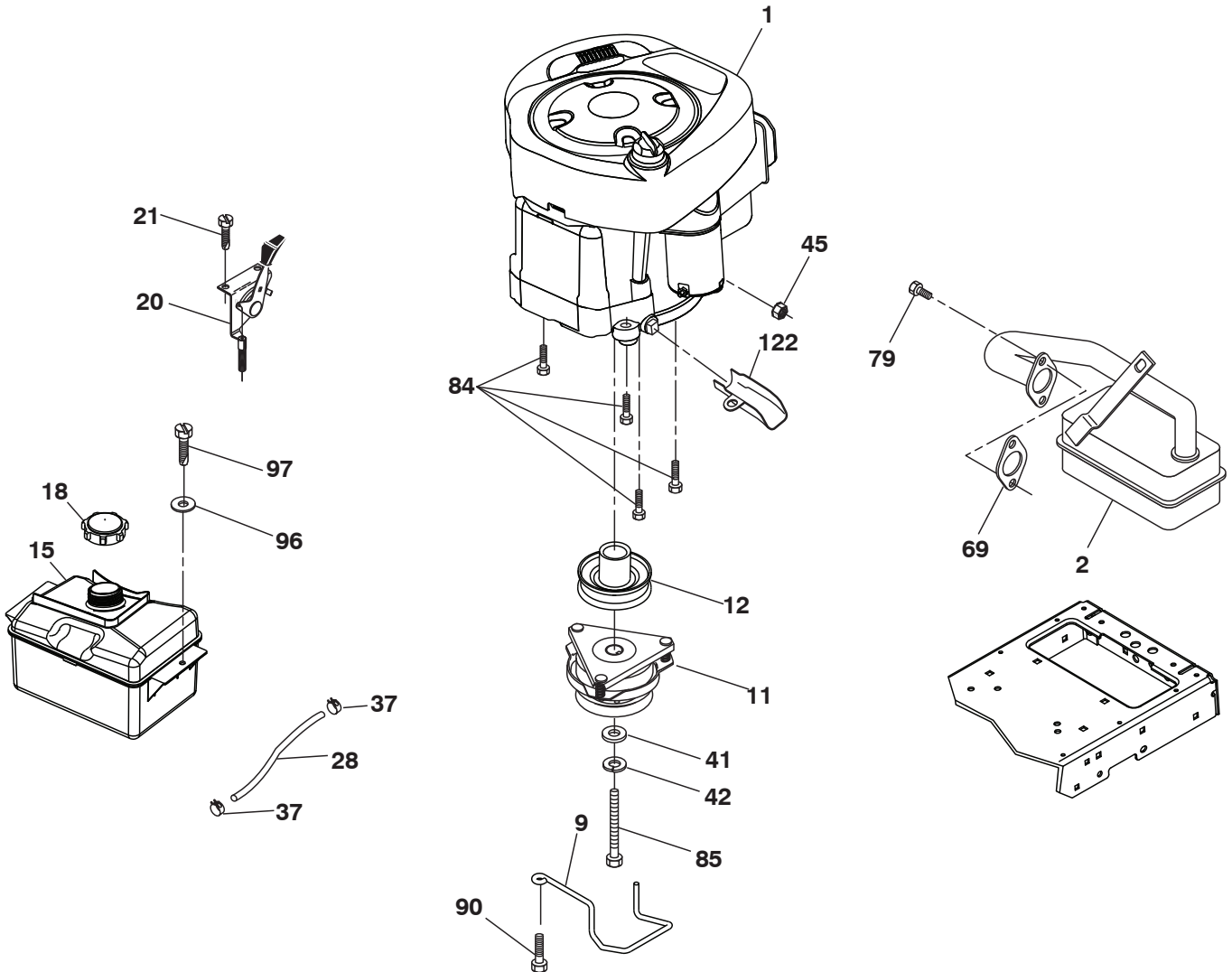


**TRACTOR - - MODEL NO. CTH126 (96041014900), PRODUCT NO. 960 41 00-49  
DRIVE **40****

KEY NO.	PART NO.	DESCRIPTION	KEY NO.	PART NO.	DESCRIPTION
1	----	Transaxle, Hydro Gear T2-BABC-1X2B-1GX1	167	532 40 52-57	Latch Brake Parking
2	532 12 35-83	Key Square	170	532 41 34-30	Keeper Belt Centerspan
15	819 13 13-16	Washer 13/32 x 13/16 x 16 Ga.	183	532 15 69-72	Spacer Axle
17	532 19 72-96	Spring, Brake	184	532 40 97-47	Handle Parking Brake
29	532 42 32-39	Rod, Brake	185	872 11 06-22	Bolt
33	812 00 00-01	Ring E	186	532 19 43-21	Spacer Retainer
35	532 40 10-31	Rod, Brake, Park	187	819 13 32-10	Washer
37	532 12 17-49	Washer 25/32 x 1-1/4 x 16 Ga.	188	532 19 43-23	Link Clutch Ground Drive
42	532 12 48-72	Cover, Foot Pedal	189	532 19 43-17	Bellcrank Ground Drive
49	872 11 06-14	Bolt	190	532 19 43-18	Keeper Bellcrank Ground Drive
50	532 19 43-27	Pulley Idler Flat	196	817 00 06-16	Screw 3/8-16 x 1
51	873 90 06-00	Lock Nut 3/8-16	197	532 19 58-04	Link Clutch Anti-Rotation
52	532 19 43-26	Idler V-Groove 910" Offset	205	532 12 17-48	Washer 25/32 x 1-5/8 x 16 Ga.
56	532 12 59-07	V-Belt, Drive	210	532 40 09-80	Rocker Asm. Pedal Control
64	532 19 78-65	Shaft Asm. Pedal Brake Control	211	532 12 01-83	Bearing Nylon
73	874 49 05-44	Bolt Hex 5/16-18 Gr. 5	214	532 42 12-63	Pedal Pad Forward
80	532 40 83-93	Strap Torque	215	532 41 94-82	Pedal Reverse
99	532 40 84-18	Rod Spring Bypass	216	532 19 61-31	Bracket Pulley Idler
114	873 80 05-00	Nut Lock 5/16-18 unc	221	532 40 31-87	Retainer Spring Clip Handle
116	873 90 05-00	Nut Lock Hex Flange 5/16-18	222	879 21 20-10	Washer 21/32 x 1-1/4 10 Ga.
121	532 17 56-11	Bracket Strap Torque	231	532 40 72-87	Idler V-Groove 1.688" Offset
122	872 01 05-20	Bolt 5/16-18 x 2.50	263	817 00 06-12	Screw Hexwsh THDR 3/8-16 x 3/4
125	817 00 05-12	Screw 5/16-18 x 3/4	268	819 13 16-14	Washer
143	817 49 05-08	Screw THDROL 5/16-18 x 1/2	275	532 18 24-02	Guard, Muffler
153	532 12 47-88	Retainer Spring 1"			
159	876 02 04-12	Pin Cotter 1/8 x 3/4			
160	532 16 94-84	Retainer Clip			
161	532 10 57-09	Spring, Return, Clutch			
163	532 41 33-22	Rod Control			
166	532 42 83-05	Nut Push .625			

**NOTE:** All component dimensions given in U.S. inches  
1 inch = 25.4 mm

**TRACTOR - - MODEL NO. CTH126 (96041014900), PRODUCT NO. 960 41 00-49  
ENGINE 24**



**OPTIONAL EQUIPMENT**  
**Spark Arrester**

engine-tex\_BS\_32

**TRACTOR - - MODEL NO. CTH126 (96041014900), PRODUCT NO. 960 41 00-49  
ENGINE 24**

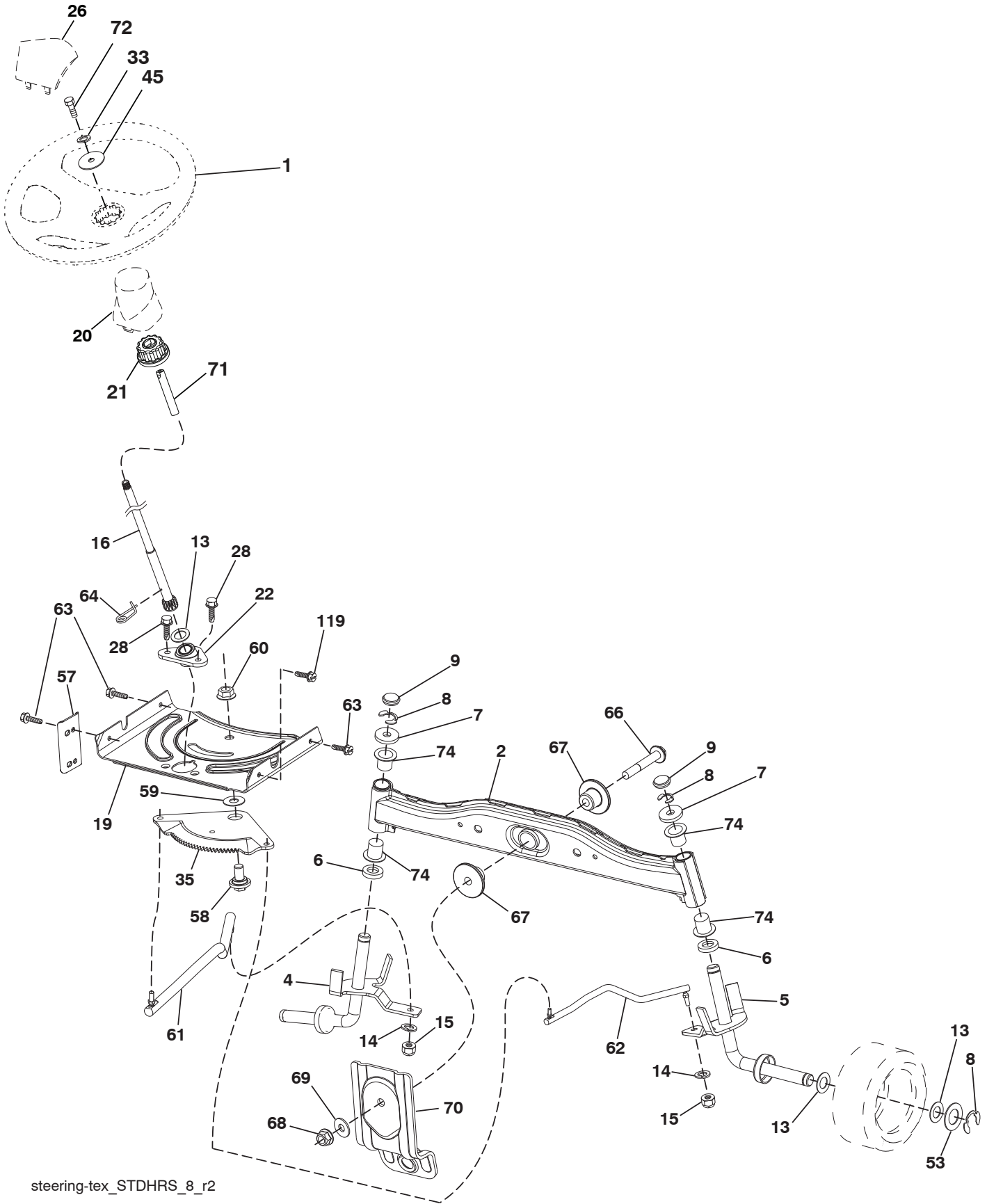
<b>KEY NO.</b>	<b>PART NO.</b>	<b>DESCRIPTION</b>
1	-----	Engine BS Model No. 219807-1376-B1
2	532 17 97-58	Muffler
9	532 19 43-19	Keeper Belt Engine
11	532 18 05-05	Clutch
12	532 19 43-38	Pulley Engine
15	532 40 75-45	Tank Fuel 1.5
18	<b>532 43 02-20</b>	Cap Asm
20	532 18 38-97	Control Throttle
21	532 41 63-58	Screw #10 x 0.750 BOS Thread
28	532 13 70-40	Fuel Line
29	532 13 71-80	Spark Arrester Kit
37	532 12 34-87	Clamp Hose
41	532 12 61-97	Washer 1-1/2 x 15-32 x .250
42	810 04 07-00	Washer Lock Hvy HLCL SPR 7/16
45	873 51 04-00	Nut Keps Hex 1/4-20 unc
69	532 16 52-91	Gasket
79	532 19 23-34	Screw Socket HD 5/16 - 18 x 75
84	817 06 06-20	Screw 3/8-16 x 1-1/4
85	532 17 39-37	Bolt Hex 7/16-20 x 4 Gr. 5-1.5
90	817 00 06-16	Screw 3/8-16 x 1
96	819 09 14-16	Washer 9/32 x 7/8 x 16 Ga.
97	817 67 04-12	Screw 1/4-20 x 3/4
122	532 42 19-22	Extension Drain Oil

**NOTE:** All component dimensions given in U.S. inches  
1 inch = 25.4 mm

**Engine Power Rating Information**

The gross power rating for individual gas engine models is labeled in accordance with SAE (Society of Automotive Engineers) code J1940 (Small Engine Power & Torque Rating Procedure), and rating performance has been obtained and corrected in accordance with SAE J1995 (Revision 2002-05). Torque values are derived at 3060 RPM; horsepower values are derived at 3600 RPM. Actual gross engine power will be lower and is affected by, among other things, ambient operating conditions and engine-to-engine variability. Given both the wide array of products on which engines are placed and the variety of environmental issues applicable to operating the equipment, the gas engine will not develop the rated gross power when used in a given piece of power equipment (actual "on-site" or net power). This difference is due to a variety of factors including, but not limited to, accessories (air cleaner, exhaust, charging, cooling, carburetor, fuel pump, etc.), application limitations, ambient operating conditions (temperature, humidity, altitude), and engine-to-engine variability. Due to manufacturing and capacity limitations, Briggs & Stratton may substitute an engine of higher rated power for this Series engine.

**TRACTOR - - MODEL NO. CTH126 (96041014900), PRODUCT NO. 960 41 00-49**  
**STEERING ASSEMBLY [41]**



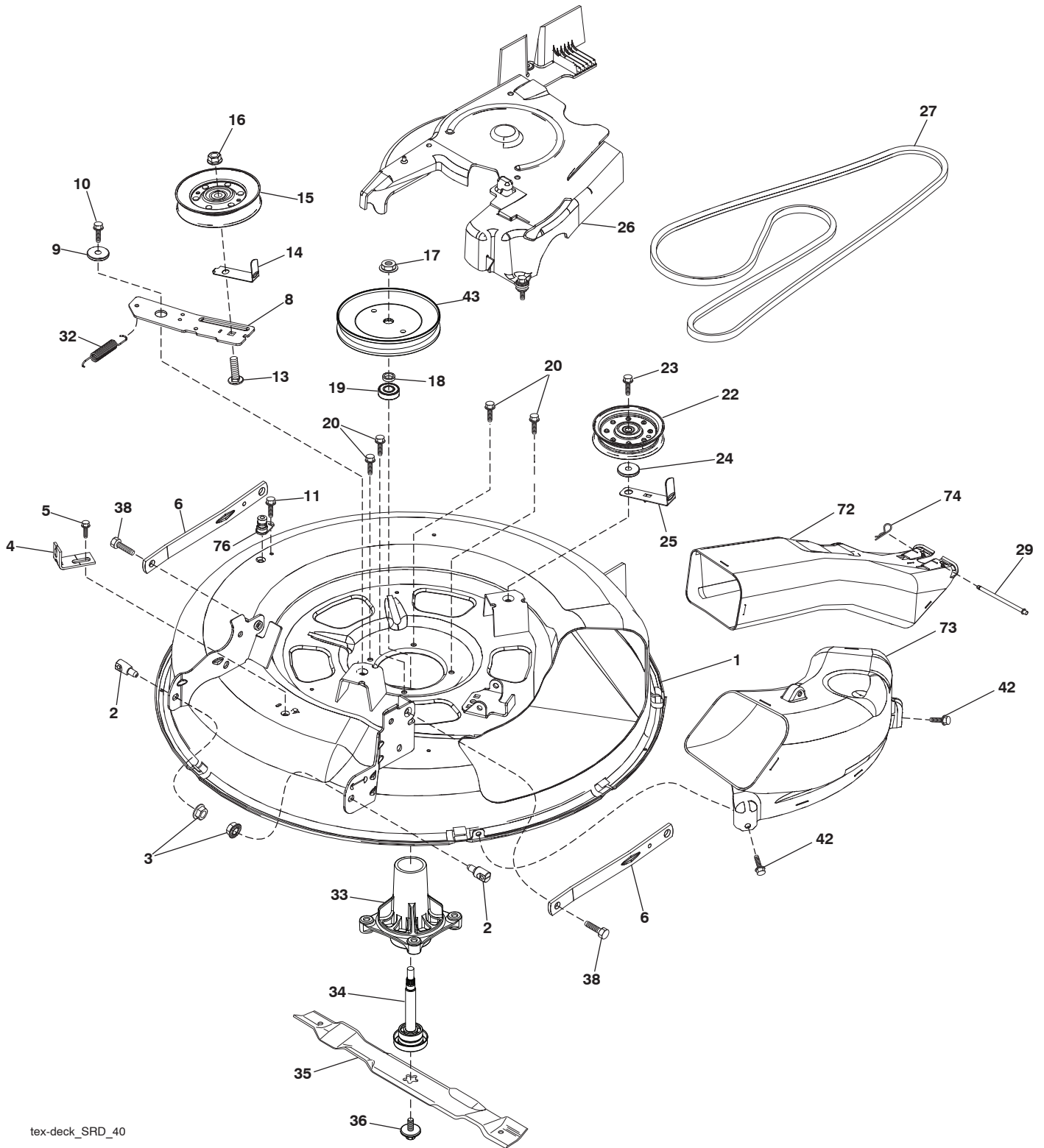
steering-tex\_STDHRS\_8\_r2

**TRACTOR - - MODEL NO. CTH126 (96041014900), PRODUCT NO. 960 41 00-49**  
**STEERING ASSEMBLY 41**

<b>KEY NO.</b>	<b>PART NO.</b>	<b>DESCRIPTION</b>
1	532 41 64-80	Wheel, Steering Husq SR
2	532 41 81-68	Axle Asm., Front
4	532 41 68-45	Spindle Asm., LH
5	532 41 68-46	Spindle Asm., RH
6	532 12 49-31	Bearing, Race Thrust Hardened
7	532 12 17-48	Washer 25/32 x 1-5/8 x 16 Ga.
8	812 00 00-29	Ring, Klip #T5304-75
9	532 12 12-32	Cap, Spindle
13	532 12 17-49	Washer, 25/32 x 1-1/4 x 16 Ga.
14	810 04 06-00	Washer, Lock Hvy Hlcl Spr 3/8
15	873 54 06-00	Nut, Crown Lock 3/8-24 unf
16	532 42 93-73	Shaft Steering
19	532 19 47-29	Plate Steering
20	532 41 11-39	Boot, Steering
21	532 18 67-37	Adapter, Wheel Steering
22	532 42 05-37	Steering Support Lower
26	532 41 59-87	Insert, Wheel Steering Husq SR
28	817 00 06-12	Screw 3/8-16 x 3/4
33	810 04 05-00	Washer Lock 5/16
35	532 19 47-32	Gear, Sector Plate
45	819 11 38-12	Washer 11/32 x 3/8 x 12 Ga.
53	532 18 89-67	Washer Hardened.793x1.637x.060
57	532 40 74-65	Bracket Upstop
58	532 19 47-47	Bolt Shoulder Sector Pivot CFM
59	532 19 47-48	Washer Thrust Sector Steering
60	873 97 10-00	Nut Flange Lock 5/8-11
61	532 19 47-40	Draglink, LH
62	532 19 47-41	Draglink, RH
63	817 00 05-12	Screw 5/16-18 x 3/4
64	532 19 98-49	Retainer Clip Spring Steering
66	871 02 07-48	Bolt Hex Fghd 7/16-14 x 3 Serr
67	532 19 47-37	Bushing PM Front Axle
68	873 90 07-00	Nut Lock Flange 7/16-14 Gr. 5
69	532 19 91-62	Washer 1.5 x .505 x .118
70	532 41 70-65	Bracket Deck Susp. Front
71	532 19 07-52	Shaft Extension Steering
72	532 42 89-82	Bolt Fin Hex 5/16-18 x 4 w/Patch
74	532 12 49-37	Bearing

**NOTE:** All component dimensions given in U.S. inches  
1 inch = 25.4 mm

**TRACTOR - - MODEL NO. CTH126 (96041014900), PRODUCT NO. 960 41 00-49**  
**MOWER DECK 44**



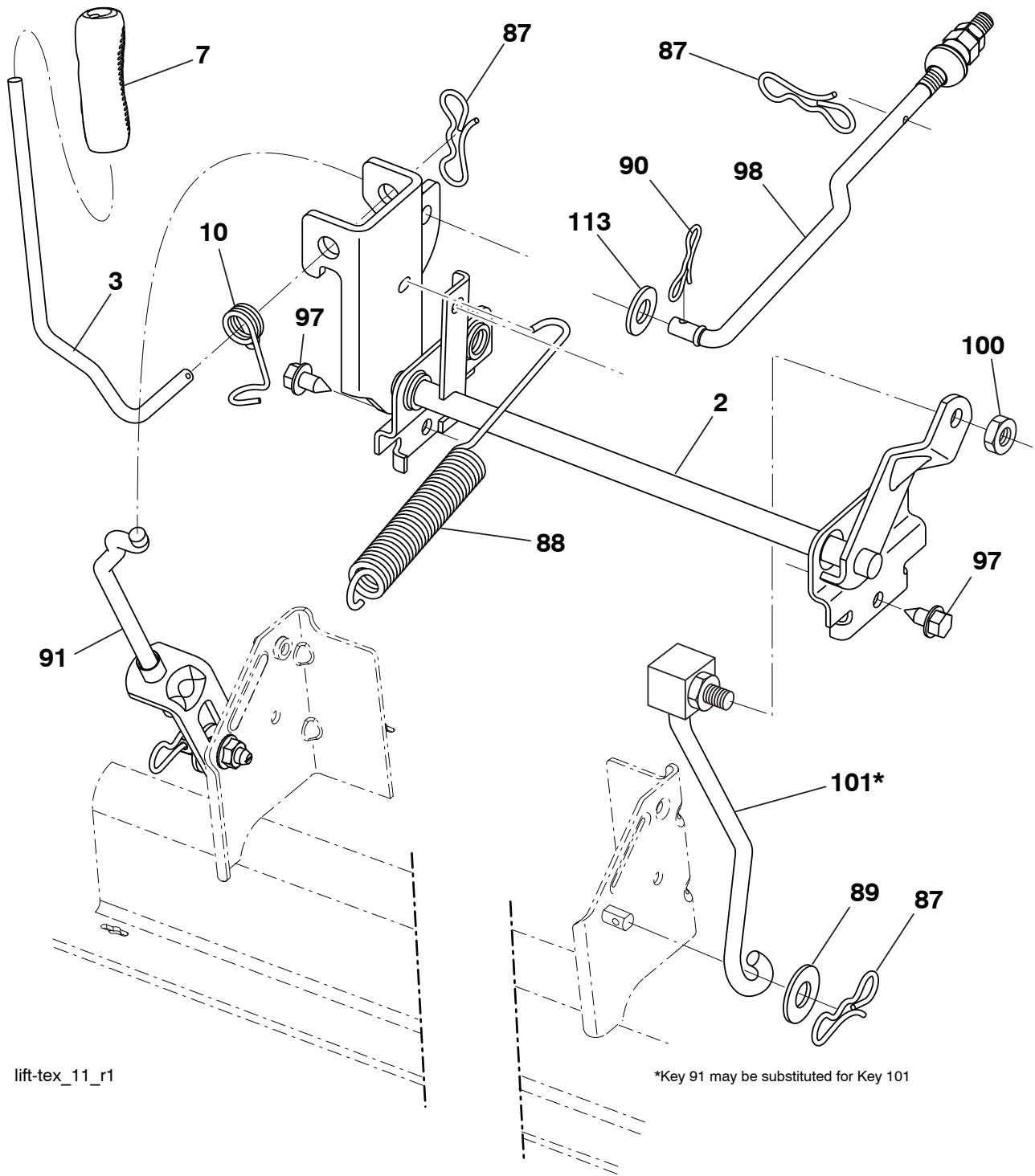
tex-deck\_SRD\_40

**TRACTOR - - MODEL NO. CTH126 (96041014900), PRODUCT NO. 960 41 00-49  
MOWER DECK 44**

KEY NO.	PART NO.	DESCRIPTION	KEY NO.	PART NO.	DESCRIPTION
1	532 41 92-72	Deck Weldment 30"Srd	29	532 42 08-95	Hinge Pin
2	532 19 51-61	Stud Fastner W/'D'anti-Rotatio	32	532 19 72-51	Spring Mower Drive
3	873 90 05-00	Nut Lock Hex Flange 5/16 - 18	33	532 18 72-81	Housing Mandrel 4pt Service
4	532 41 76-45	Bracket Clutch Cable	34	532 19 28-72	Shaft Asm Mndrl N/Greaseable 38
5	817 00 05-10	Bolt 5/16-18	35	532 41 92-74	Blade Mower Bagging Srd
6	532 41 88-63	Arm Susp Mower Rear Srd	36	532 19 30-03	Bolt/Washer Asm 7/16 - 20 unf
8	532 42 02-52	Arm Idler 30"Srd	38	532 19 65-39	Bolt Shoulder
9	532 19 90-92	Spacer Retainer	42	817 00 06-12	Screw Hexwsh THDR 3/8-16x3/4 BL
10	817 00 06-16	Screw 3/8 - 16 X 1 Smgml Tap/R Blk	43	532 41 68-77	Pulley Mandrel 6 5 Pd 30"
11	532 13 77-29	Screw Thd Roll 1/4 - 20 X 5/8	72	532 41 72-36	Chute Upper SRD 30R
13	872 11 06-12	Bolt Carr Sh 3/8 - 16 X 1 - 1/2 Gr. 5	73	532 42 52-74	Chute Lower SRD 30R
14	532 15 60-85	Keeper Belt Idler	74	532 12 46-70	Retainer Spring
15	532 14 67-63	Pulley Idler V-Groove Dim 4.25	76	532 41 55-98	Washout Port
16	873 90 06-00	Nut Lock FIG 3/8 - 16 unc	--	532 19 28-70	Mandrel Assembly (Includes Hous- ing, Shaft Assembly, And Bearing Only - Pulley/Nut/Washer And Blade Bolt/Washers Not Included)
17	532 40 02-34	Nut Flange Lock Top	--	532 43 08-06	Replacement Mower Complete
18	532 18 76-90	Washer Spacer Mandrel			
19	532 11 04-85	Bearing Ball Mandrel			
20	532 17 39-84	Screw Thd Roll Dod Pt Hex			
22	532 17 58-20	Pulley Idler Flat Unplated			
23	817 49 06-28	Screw Thdrol 3/8 - 16 X 1-3/4			
24	819 13 20-12	Washer 13/32 X 1 - 1/4 X 12 Ga			
25	532 42 02-53	Keeper Belt 30"Srd			
26	532 43 03-13	Cover Mandrel Mwr 30"Black			
27	532 41 92-71	V-Belt Drive			

**NOTE:** All component dimensions given in U.S. inches  
1 inch = 25.4 mm

**TRACTOR - - MODEL NO. CTH126 (96041014900), PRODUCT NO. 960 41 00-49**  
**MOWER LIFT 45**



lift-tex\_11\_r1

\*Key 91 may be substituted for Key 101

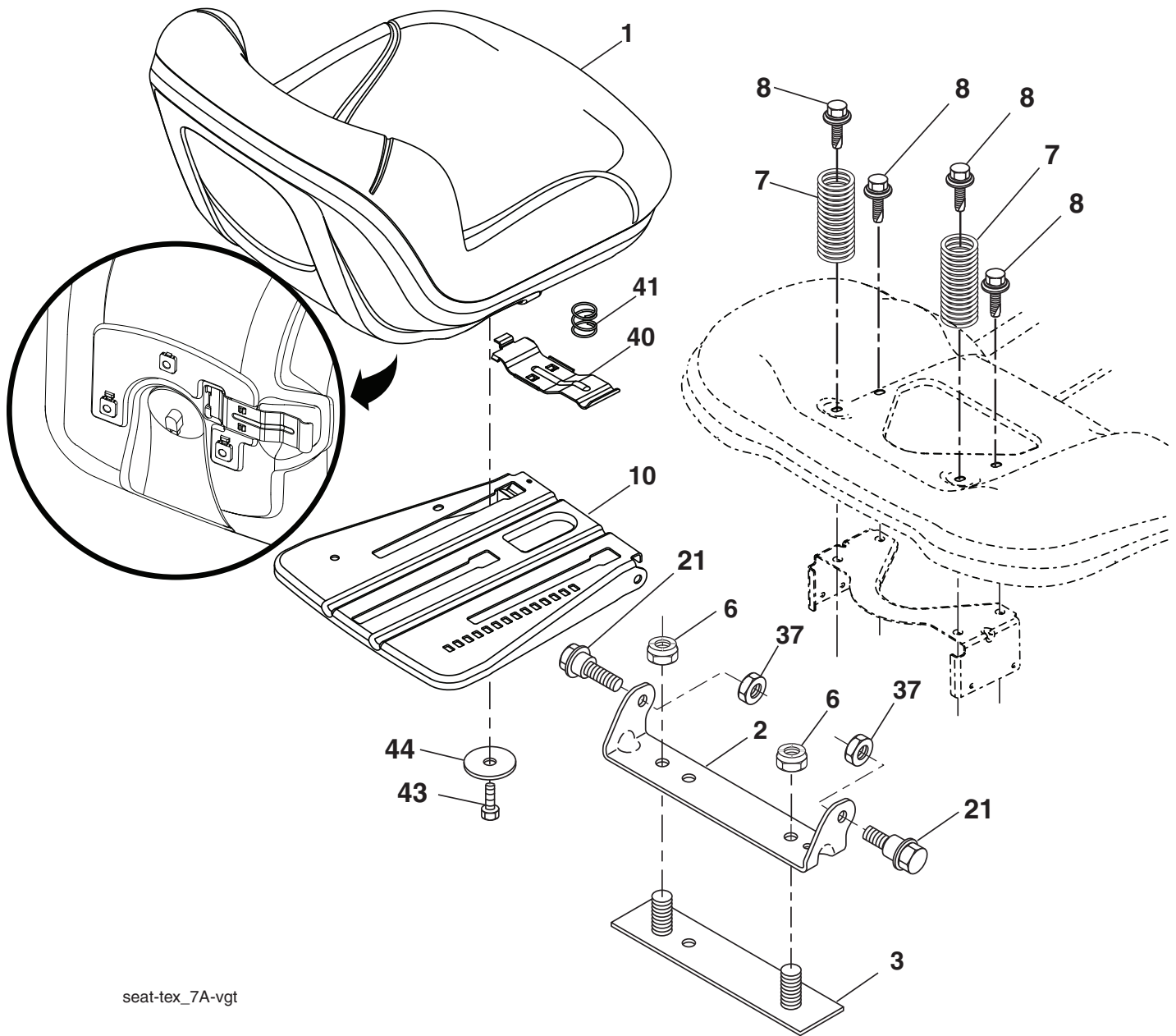
KEY NO.	PART NO.	DESCRIPTION
2	532 42 20-27	Shaft Asm., Lift
3	532 19 52-31	Lever Asm., Lift RH
7	532 41 15-55	Grip, Lever
10	532 19 63-14	Spring Torsion
87	532 19 42-09	Pin Cotter 7/16 Bow Tie Lock
88	532 41 07-10	Spring Lift Assist
89	819 19 19-12	Washer Clear
90	532 19 42-08	Pin Cotter 5/16 Bow Tie Lock

KEY NO.	PART NO.	DESCRIPTION
91	532 19 51-81	Link Lift Susp Mower Rear
97	817 00 06-12	Screw 3/8-16 x 3/4
98	532 19 52-64	Link Lift Susp. Front Mower
100	873 93 06-00	Nut Centerlock 3/8-16
101	532 40 70-03	Link Asm. Lift Fixed
113	819 17 19-12	Washer 17/32 x 1-3/16 x 12 Ga.

**NOTE:** All component dimensions given in U.S. inches  
 1 inch = 25.4 mm



**TRACTOR - - MODEL NO. CTH126 (96041014900), PRODUCT NO. 960 41 00-49  
SEAT ASSEMBLY 42**



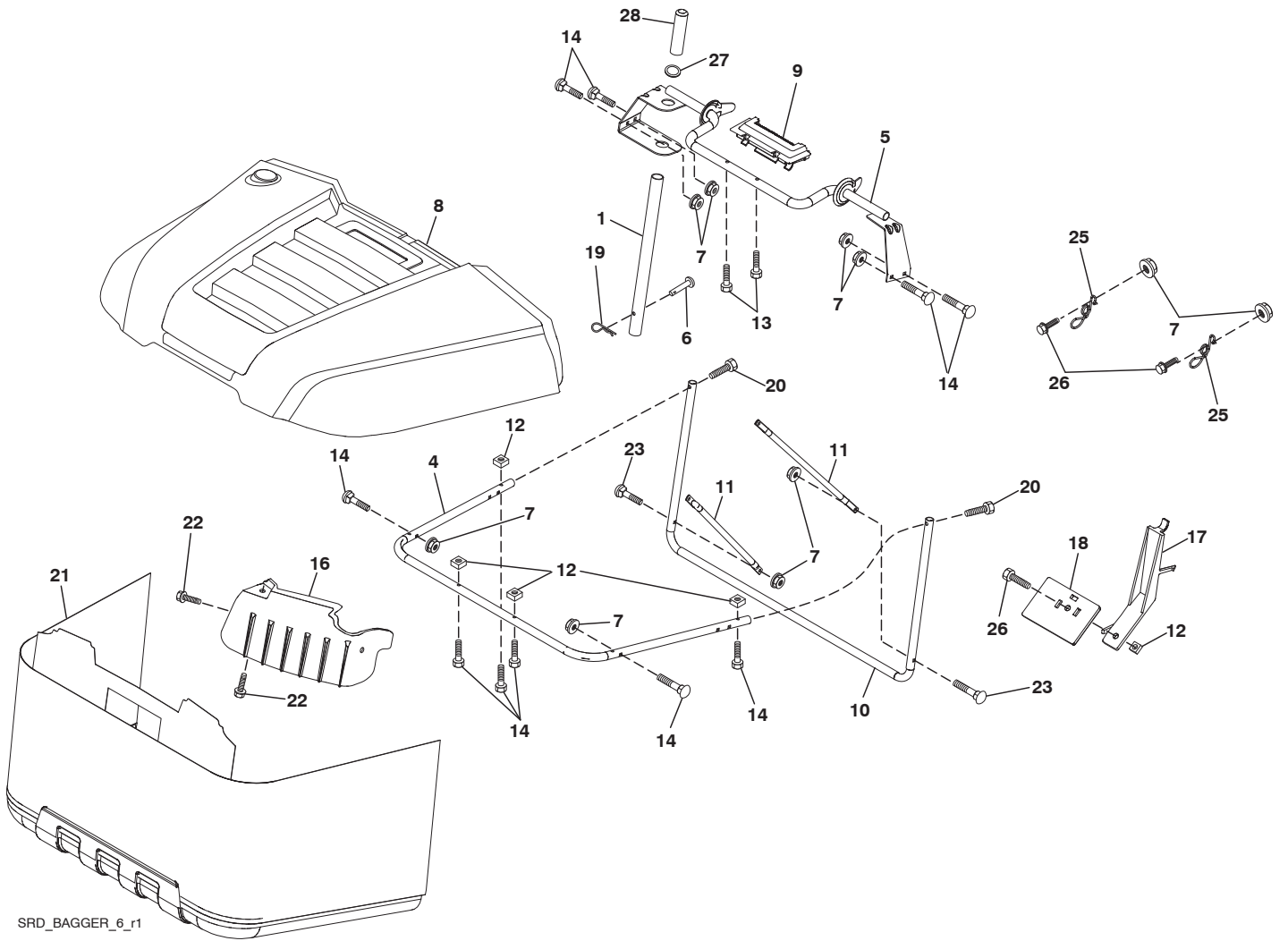
seat-tex\_7A-vgt

KEY NO.	PART NO.	DESCRIPTION
1	532 42 40-67	Seat
2	532 18 01-66	Bracket Pivot Fender
3	532 14 06-75	Strap, Asm Fender
6	873 80 06-00	Nut, Lock w/Ins. 3/8-16 unc
7	532 12 41-81	Spring, Seat Cprsn
8	532 17 18-77	Bolt 5/16-18 unc x 3/4 w/Sems
10	532 19 69-77	Pan, Seat
21	532 17 18-52	Bolt, Shoulder 5/16-18

KEY NO.	PART NO.	DESCRIPTION
37	873 80 05-00	Nut, Lock 5/16-18 unc
40	532 19 76-61	Handle Slide Seat
41	532 19 82-00	Spring Latch Seat
43	874 76 06-12	Bolt 3/8-16 x 3/4
44	819 13 38-12	Washer 13/32 x 2-3/8 x 12 Ga.

**NOTE:** All component dimensions given in U.S. inches  
1 inch = 25.4 mm

TRACTOR - - MODEL NO. CTH126 (96041014900), PRODUCT NO. 960 41 00-49  
BAGGER **46**



SRD\_BAGGER\_6\_r1

**TRACTOR - - MODEL NO. CTH126 (96041014900), PRODUCT NO. 960 41 00-49  
BAGGER 46**

<b>KEY NO.</b>	<b>PART NO.</b>	<b>DESCRIPTION</b>
1	532 42 86-10	Tube Handle Bagger SRD
4	532 43 96-12	Frame Asm Bagger Top
5	532 41 76-32	Frame Asm Top Bagger SRD
6	532 12 68-75	Drilled Rivit
7	873 90 04-00	Nut Hex Flange 1/4-20 unc
8	532 43 51-65	Bagger Top
9	532 41 76-29	Insert Handle Bagger
10	532 41 71-90	Frame Front
11	532 41 71-88	Tubing Brace Bagger
12	532 42 17-93	Nut Square 1/4
13	532 42 17-80	Screw 1/4 x 1.150 HXWSH
14	532 42 18-00	Bolt Shoulder HX WSH 1/4 x 1.150
16	532 42 15-66	Deflector Bagger
17	532 42 17-49	Lever Bagger Full
18	532 42 17-50	Paddle Bagger Full
20	585 36 88-01	Screw Hex Cap 1/4-20 x 1.375
21	532 42 99-81	Bag Asm SRD
22	532 14 24-32	Screw Hex WSH Hi-Lo 1/4 - 1/2 unc
23	872 04 04-10	Bolt Carr 1/4-20 unc x 1-1/4
25	532 42 16-14	Spring Latch Bagger
26	817 49 04-12	Screw Hex Thdrol 1/4-20 x 3/4
27	532 42 12-62	Grommet, Rubber SRD
28	532 16 57-87	Grip Handle Black
29	532 19 42-08	Pin Cotter 5/16 Bow Tie Lock

**NOTE:** All component dimensions given in U.S. inches  
1 inch = 25.4 mm

