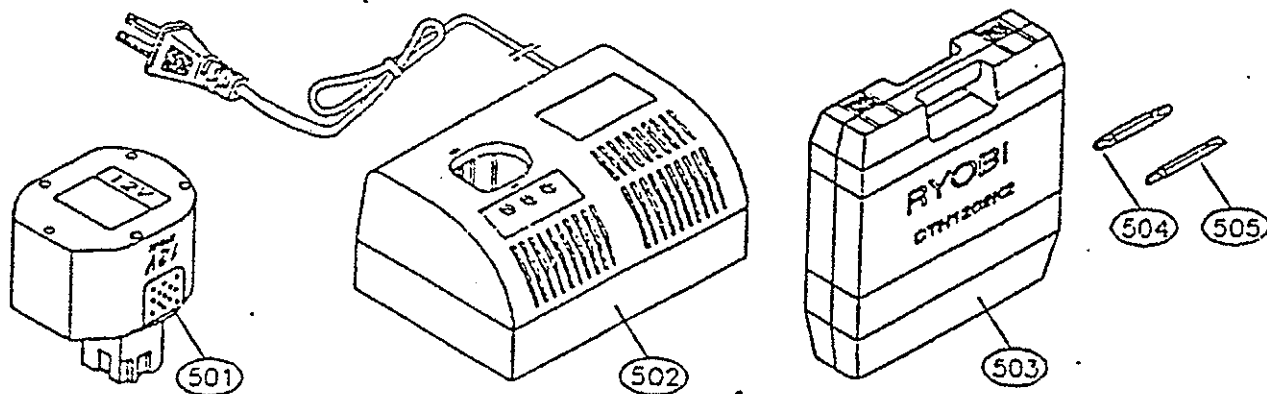
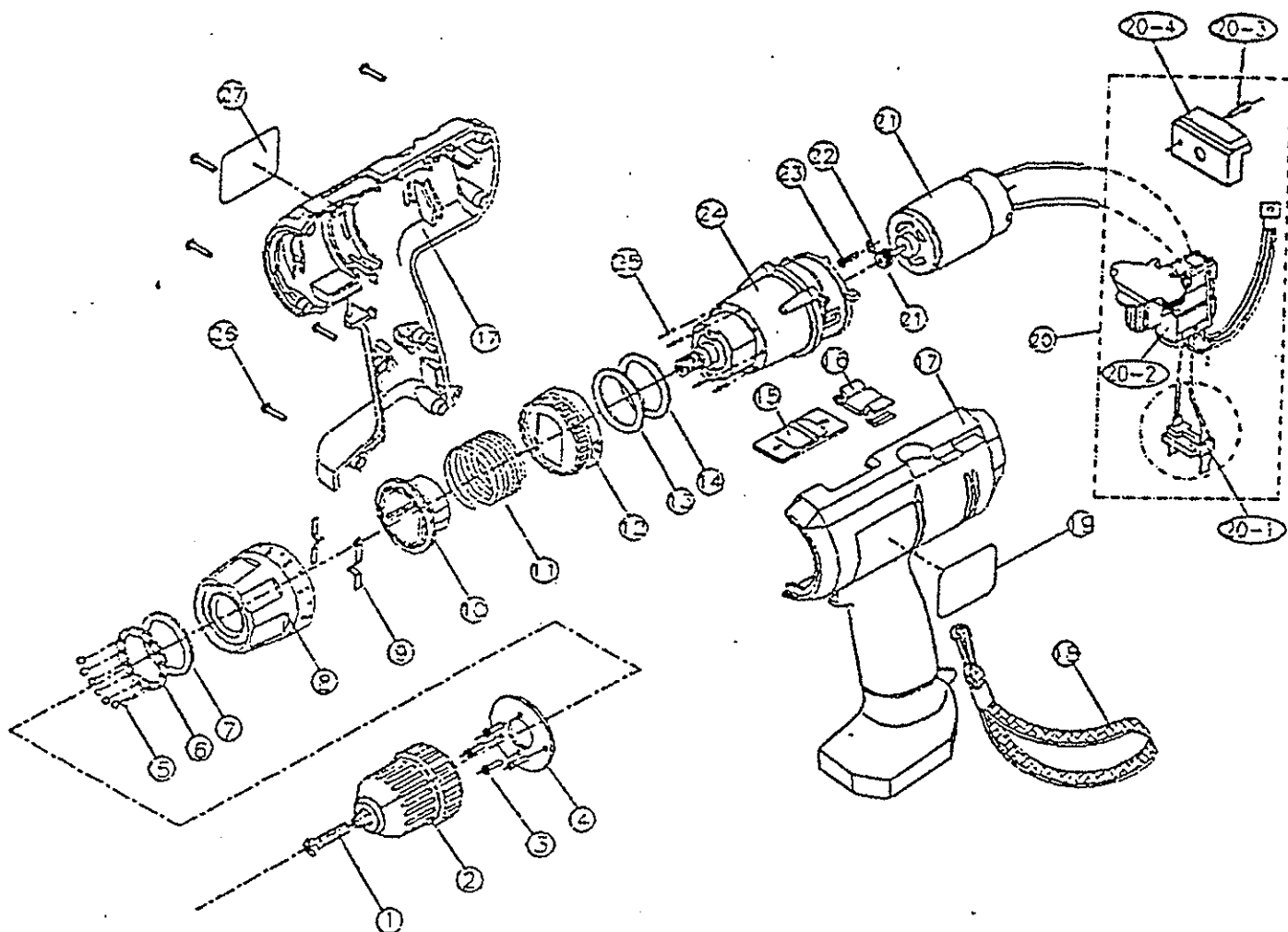


12V/14.4V CTR HANDLE DRILL CTH1202K2/CTH1442K2



PARTS LIST FOR AFTER SALES SERVICE

CTH1202K2/CTH1442K2

EF	PART NO.	DESCRIPTION	QTY	REF	PART NO.	DESCRIPTION	QTY
	1130049	SCREW M5X0.8X26MM	1		STANDARD ACCESSORIES		
2	4130270	CHUCK	1	501	1400652	BATTERY PACK-CTH1202K2	2
3	1130302	SCREW M3X14	4		1400671	BATTERY PACK-CTH1442K2	2
4	4900094	MOUNTING PLATE	1	502	1400677	UNIVERSAL CHARGER	1
5	1290021	STEEL BALL 3MM	8	503	4770007	CARRYING CASE-CTH1202K2	1
6	4190002	BALL HOLDER, PLASTIC	1		4770008	CARRYING CASE-CTH1442K2	1
7	4900095	WASHER	1	504	4240023	DOUBLE BIT PH #2/SLOT#6	1
8	4900100	CLUTCH CAP	1	505	4240022	DOUBLE BIT PH #3/SLOT#7	1
9	4180026	SPRING PLATE	2				
10	4900097	PLASTIC SLEEVE	1		1980014	OPERATOR'S MANUAL	1
11	4180027	TORQUE SPRING	1				
12	4360005	LOCATION CUP, PLASTIC	1				
13	1900149	WASHER 30.5X15MM	1				
14	4900099	CLUTCH WASHER	1				
15	4360008	HOUSING LEVER	1				
16	1360077	PLASTIC BIT HOLDER	1				
17	1800073	HOUSING-CTH1202K2					
	1080074	HOUSING-CTH1442K2	1				
18	1080066	LANYARD	1				
19	4910031	BRAND LABEL-CTH1202K2	1				
	4910033	BRAND LABEL-CTH1442K2	1				
	4550038	SWITCH ASSY	1				
19-1	1580005	PLATE HOLDER ASSY	1				
20-2	1550055	SWITCH UL VARIABLE	1				
20-3	1130050	SCREW M3X8MM	1				
20-4	1320026	HEAT SINK	1				
21	1030029	MOTOR ASSY-CTH1202K2	1				
	4030016	MOTOR ASSY-CTH1442K2	1				
22	9550300	SPRING WASHER-CTH1202K2	2				
	1900015	SPRING WASHER-CTH1442K2	2				
23	1130303	SCREW-CTH1202K2	2				
	1130047	SCREW-CTH1442K2	2				
24	4050007	GEAR BOX-CTH1202K2	1				
	4050008	GEAR BOX-CTH1442K2	1				
25	1290002	STEEL BALL 5MM	12				
26	1130304	SET SCREW	8				
27	4910032	RATING LABEL-CTH1202K2	1				
	4910034	RATING LABEL-CTH1442K2	1				

SERVICE NOTES