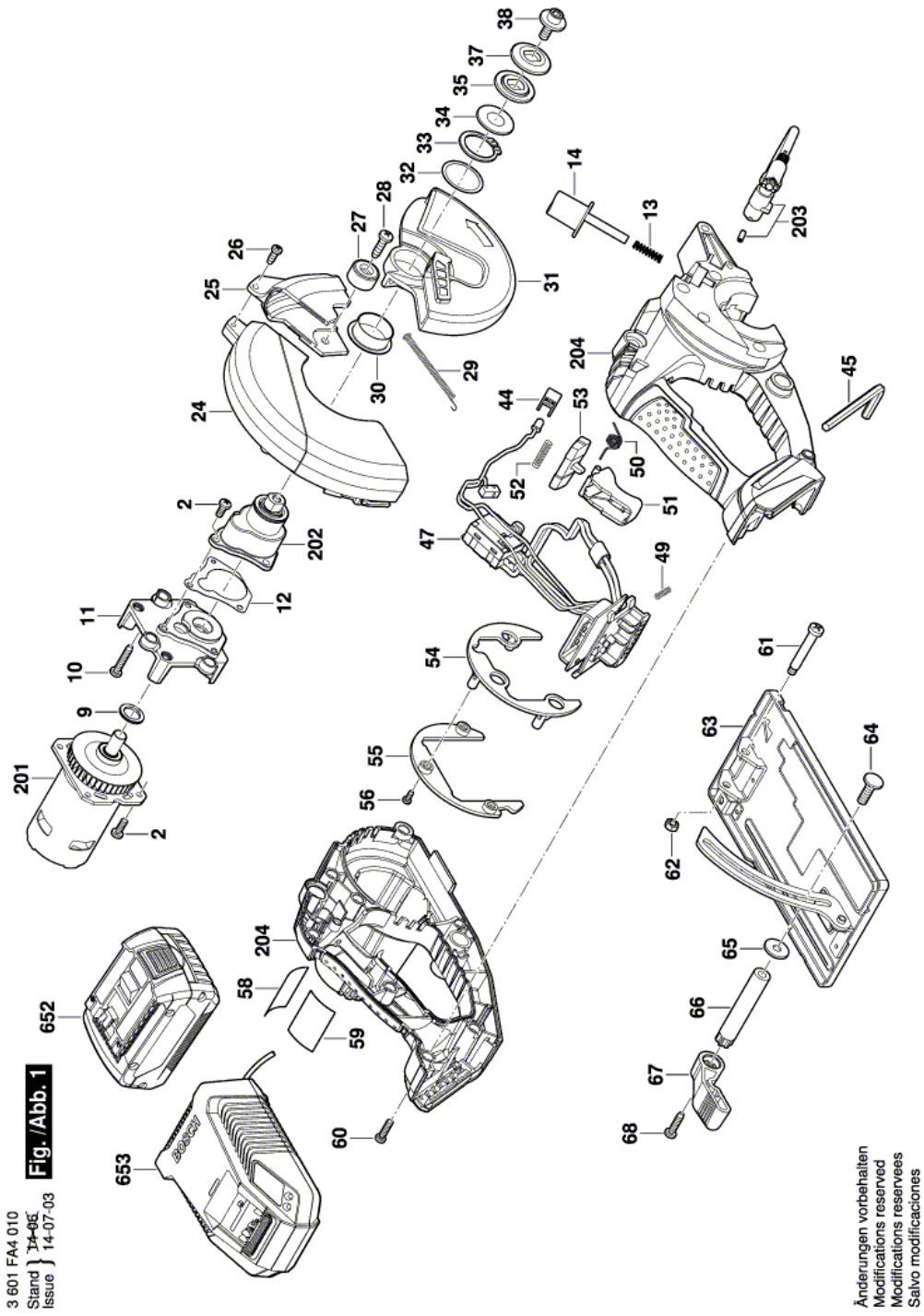


Illustration - Type E



Information subject to change without further notice.

## Circular hand saw - 3 601 FA4 010 - CSM 180

www.powertools-aftersaleservice.com



**BOSCH**

Item	Part Number	Description	Illustration	Price	Quantity	Price Group
2	2 610 034 094	Screw		1	-,-	7 10
9	2 610 033 574	Washer		1	-,-	1 -
10	2 610 034 144	Screw		1	-,-	4 10
11	2 610 033 566	Bearing Housing		1	-,-	1 23
12	2 610 034 143	Gasket		1	-,-	1 10
13	2 610 034 157	Compression Spring		1	-,-	1 10
14	2 610 034 095	Knob		1	-,-	1 11
24	2 610 033 557	Upper guard		1	-,-	1 27
25	2 610 033 558	Window		1	-,-	1 15
26	2 610 034 145	Screw		1	-,-	1 10
27	2 610 033 564	Bumper		1	-,-	1 11
28	2 610 034 140	Screw		1	-,-	1 10
29	2 610 031 712	Extension Spring		1	-,-	1 15
30	2 610 033 580	Bushing		1	-,-	1 11
31	2 610 033 559	Flap Guard		1	-,-	1 26
32	2 610 034 151	Plain Washer		1	-,-	1 10
33	2 610 034 153	Retaining ring		1	-,-	1 10
34	2 610 033 579	Seal		1	-,-	1 11
35	2 610 033 571	Intermediate Flange		1	-,-	1 14
37	2 610 033 572	Washer		1	-,-	1 13
38	2 610 033 581	Locking Bolt		1	-,-	1 12
44	2 610 034 142	Lens		1	-,-	1 10
45	2 610 034 161	Hexagon Socket Wrench		1	-,-	1 10
47	2 610 029 995	Electronic Assembly		1	-,-	1 48
49	2 610 013 564	Compression Spring		1	-,-	1 10
50	2 610 034 103	Torsion Spring		1	-,-	1 10
51	2 610 033 560	Trigger		1	-,-	1 11
52	2 610 034 156	Compression Spring		1	-,-	1 10
53	2 610 033 561	Locking Lever		1	-,-	1 11
54	2 610 033 576	Baffle		1	-,-	1 11
55	2 610 033 577	Baffle		1	-,-	1 11
56	2 610 034 158	Screw		1	-,-	3 10
58	2 610 034 101	Nameplate		1	-,-	1 -

Item	Part Number	Description	Illustration	Price	Quantity	Price Group
59	2 610 034 102	Warning Label	1	-,-	1	-
60	2 610 034 146	Screw	1	-,-	8	10
61	2 610 034 148	Locking Bolt	1	-,-	1	12
62	2 610 034 147	Hex Nut	1	-,-	1	10
63	2 610 035 268	Base Plate	1	-,-	1	36
64	2 610 034 141	Locking Bolt	1	-,-	1	11
65	2 610 034 150	Washer	1	-,-	1	10
66	2 610 033 578	Fastening Rod	1	-,-	1	14
67	2 610 033 563	Adjusting Lever	1	-,-	1	11
68	2 610 034 159	Screw	1	-,-	1	10
201	2 610 034 087	DC motor	1	-,-	1	50
202	2 610 034 090	Gear	1	-,-	1	37
203	2 610 034 096	Assembly Hook	1	-,-	1	22
204	2 610 033 552	Housing Assembly	1	-,-	1	34
652	2 607 336 819	Battery Pack BBS MR-XL 18V, 4,0Ah, LI	1	-,-	1	51
653	2 607 225 429	Fast Charger USA 120/10,8-18V, 1h	1	-,-	1	41