

Concrete Grinder - 3 601 G76 011 - CSG15

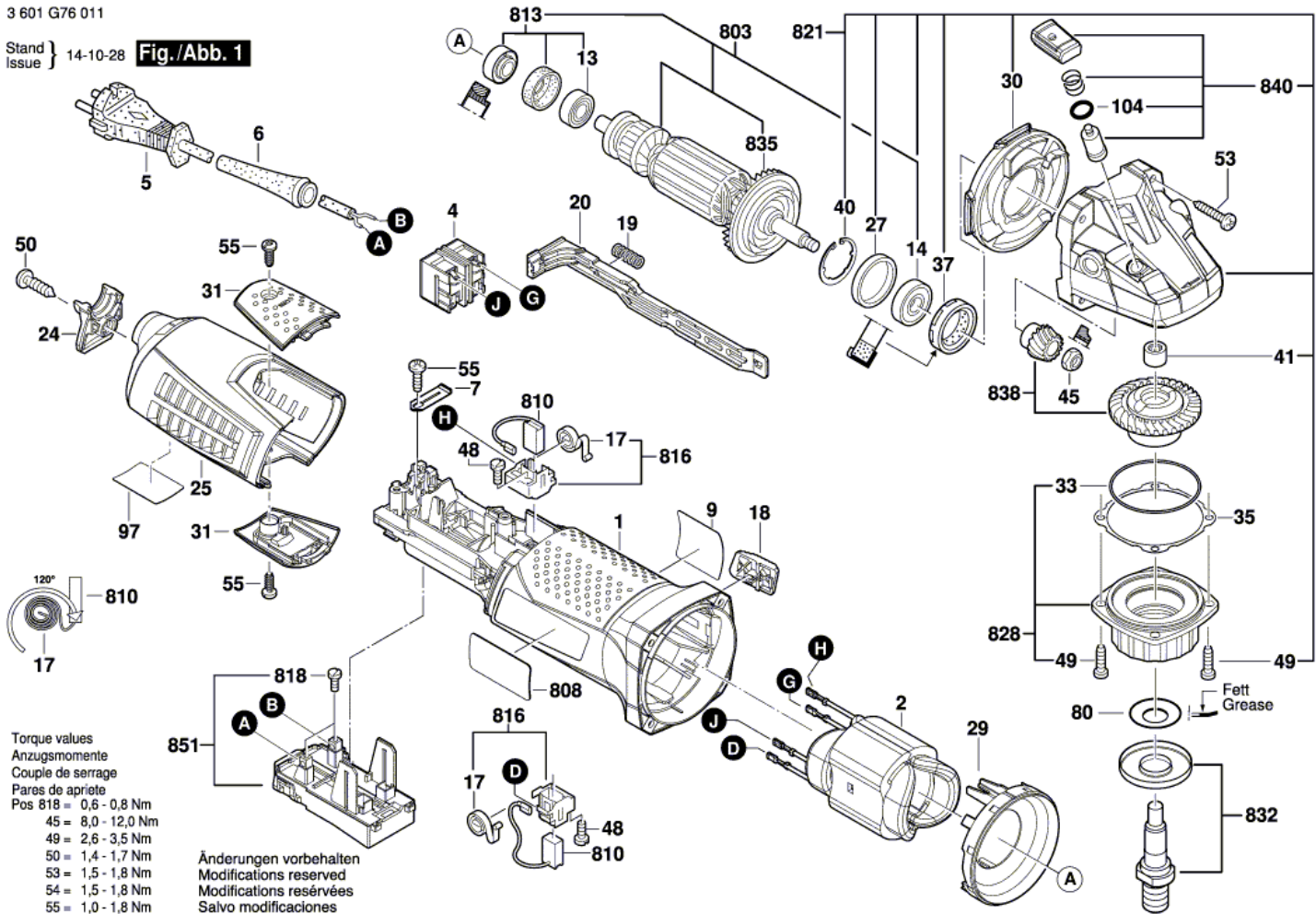
www.powertools-aftersaleservice.com

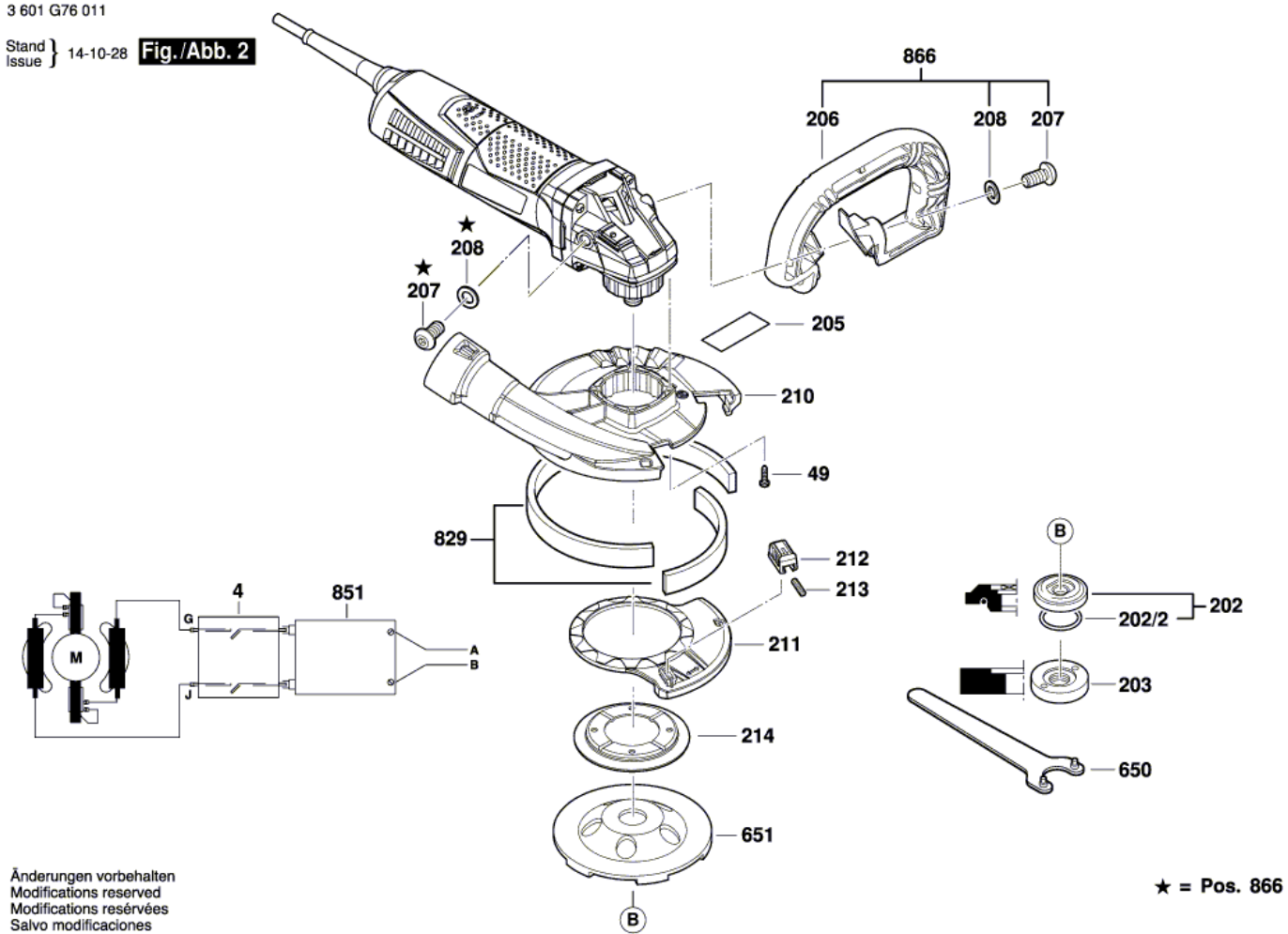


BOSCH

Item	Part Number	Description	Illustration	Price	Quantity	Price Group
1	1 605 108 283	Motor Housing	1	-,-	1	27
2	1 604 220 479	Field 110-127V	1	-,-	1	33
4	1 607 200 256	Switch	1	-,-	1	24
5	1 604 460 343	Power supply cord	1	-,-	1	30
6	1 600 703 043	Grommet	1	-,-	1	13
7	1 601 302 017	Fastening Clamp	1	-,-	1	10
9	6 082 942 7SU	Manufacturer's nameplate CSG15	1	-,-	1	21
13	1 610 905 025	groove ball bearing 7x19x6	1	-,-	1	19
14	1 600 905 032	groove ball bearing 8x22x7	1	-,-	1	18
17	1 604 652 021	Spiral Spring	1	-,-	2	10
18	1 602 026 091	Switch Handle	1	-,-	1	10
19	1 604 611 031	Compression Spring	1	-,-	1	13
20	1 602 319 026	Adjusting Slide	1	-,-	1	11
24	1 605 500 274	Cover	1	-,-	1	14
25	1 605 500 276	Housing Cover	1	-,-	1	21
27	1 600 206 025	Rubber Ring	1	-,-	1	12
29	1 600 591 047	Air-Deflector Ring	1	-,-	1	12
30	1 600 591 048	Air Distributor	1	-,-	1	13
31	1 605 500 277	Brush-Cover	1	-,-	2	12
33	3 600 210 124	O-Ring 46,0x1,1 MM RED	1	-,-	1	13
35	1 600 136 013	Shim 0,1 MM THICK	1	-,-	1	13
35	1 600 136 014	Shim 0,2 MM THICK	1	-,-	1	13
35	1 600 136 015	Shim 0,3 MM THICK	1	-,-	1	13
35	1 600 136 020	Shim 0,15 MM THICK	1	-,-	1	13
37	1 600 290 016	Rotary shaft lip seal	1	-,-	1	12
40	1 600 119 011	Retaining clip	1	-,-	1	12
41	1 600 910 018	Needle bearing Ø8xØ12x8 MM	1	-,-	1	17
45	1 603 300 016	Hex Nut M7, SW10	1	-,-	1	11
48	1 613 435 034	Lens Head Screw 3x10 ST	1	-,-	2	10
49	3 603 435 055	Torx Oval-Head Screw	1	-,-	4	13
50	2 603 490 023	Torx Oval-Head Screw 4x20	1	-,-	1	10
53	1 603 435 078	Torx Oval-Head Screw	1	-,-	4	10
55	2 603 490 021	Torx Oval-Head Screw 4x12	1	-,-	3	10

Item	Part Number	Description	Illustration	Price	Quantity	Price Group
80	3 600 150 021	Sealing disk	1	-,-	1	16
97	1 601 11C 0PA	Warning Plate	1	-,-	1	13
104	1 600 210 044	O-Ring 4,5x1,0 MM BLUE	1	-,-	1	10
202	1 605 703 140	Clamping-Flange	2	-,-	1	21
202/2	1 600 210 055	O-Ring 20,35x1,78 MM	2	-,-	1	10
203	3 603 340 503	Round Nut 5/8"	2	-,-	1	28
205	3 601 119 236	Reference Plate	2	-,-	1	15
206	3 602 025 029	Handle	2	-,-	1	36
207	1 619 P07 611	Hex Screw	2	-,-	2	15
208	2 916 011 017	Plain Washer DIN 125-A10,5-ST	2	-,-	2	11
210	3 605 510 063	Suction Hood	2	-,-	1	41
211	3 605 500 219	Swivel Element	2	-,-	1	28
212	3 602 305 019	Knob	2	-,-	1	14
213	3 604 611 042	Compression Spring	2	-,-	1	11
214	3 600 190 040	Metal Ring	2	-,-	1	26
650	3 607 950 019	Pin-Type Face-Wrench	2	-,-	1	25
651	3 608 600 013	Diamond Cup Wheel	2	-,-	1	48
803	3 607 031 858	Armature With Fan 120V	1	-,-	1	47
808	1 601 11A 5F6	Nameplate	1	-,-	1	13
810	1 607 000 V61	Carbon-Brush Set	1	-,-	1	26
813	3 607 031 751	groove ball bearing	1	-,-	1	30
816	1 607 000 V43	Brush Holder	1	-,-	1	15
818	1 607 000 V42	Pan head screw	1	-,-	1	10
821	3 607 031 752	Gear Housing	1	-,-	1	44
828	1 605 808 0BY	Flange	1	-,-	1	37
829	3 607 031 875	Strip brush	2	-,-	1	38
832	3 607 031 859	Grinding Spindle	1	-,-	1	40
835	1 606 610 132	Fan	1	-,-	1	12
838	1 607 000 D4Z	Gear Unit	1	-,-	1	29
840	1 607 000 V41	Push-Button	1	-,-	1	16
851	1 607 233 5JK	Speed governor	1	-,-	1	33
866	3 607 031 755	Strap-Shaped Handle	2	-,-	1	42





Information subject to change without further notice.