

RYOBI CIRCULAR SAW – MODEL NUMBER CSB140LZ

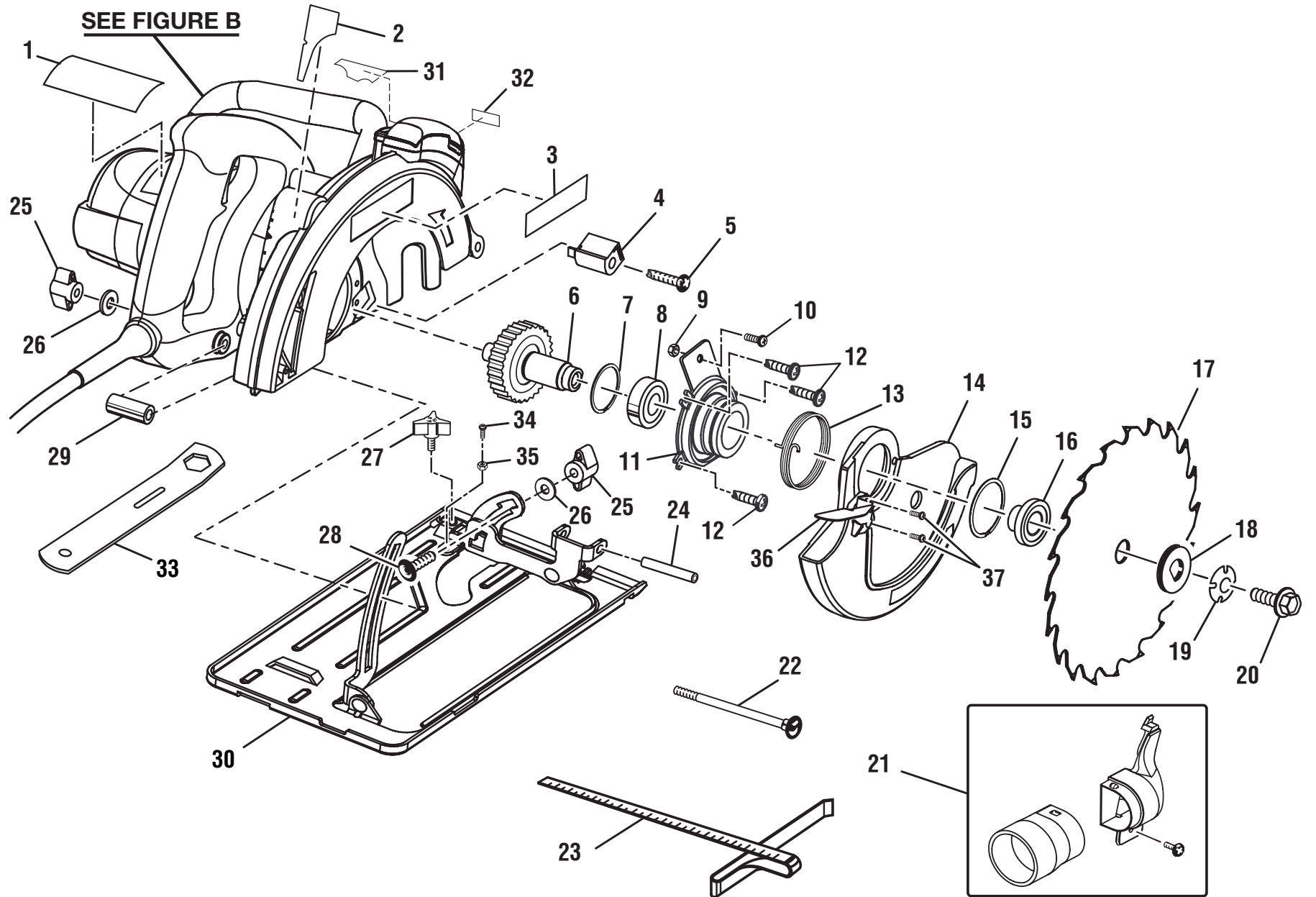


FIGURE A

RYOBI CIRCULAR SAW – MODEL NUMBER CSB140LZ

The model number will be found on a label attached to the motor housing. Always mention the model number in all correspondence regarding your **CIRCULAR SAW** or when ordering parts.

**PARTS LIST
(FIGURE A)**

| KEY NO. | PART NUMBER | DESCRIPTION | QTY | KEY NO. | PART NUMBER | DESCRIPTION | QTY |
|----------------|--------------------|--------------------------------------|------------|----------------|--------------------|-------------------------------------|------------|
| 1 | 940214079 | Data Plate | 1 | 20 | 612999001 | Blade Screw..... | 1 |
| 2 | 940266003 | Cutting Depth Label..... | 1 | 21 | 982829001 | Dust Nozzle Kit | 1 |
| 3 | 940304082 | Logo Plate..... | 1 | 22 | 621433007 | Carriage Bolt (1/4-20 x 4 In.)..... | 1 |
| 4 | 974900001 | Bumper | 1 | 23 | 969862009 | Rip Guide..... | 1 |
| 5 | 982492131 | Screw (8-32 x 3/4 In. Fil. Hd.)..... | 1 | 24 | 6898001 | Roll Pin..... | 1 |
| 6 | 982822001 | Gear And Spindle Assembly..... | 1 | 25 | 5526604 | Adjustment Knob..... | 2 |
| 7 | 617096002 | Retaining Ring | 1 | 26 | 931744059 | Flat Washer..... | 2 |
| 8 | 615972004 | Ball Bearing..... | 1 | 27 | 550828004 | Knob Bolt..... | 1 |
| 9 | 680022003 | Hex Nut..... | 1 | 28 | 621433001 | Carriage Bolt (1/4-20 x 1 In.)..... | 1 |
| 10 | 6621205 | Screw | 1 | 29 | 5542303 | Spacer | 1 |
| 11 | 6447902 | Lower Blade Guard Support | 1 | 30 | 3053005 | Base Assembly | 1 |
| 12 | 610122003 | Screw (8-32 x 3/8 In. Pan Hd.)..... | 3 | 31 | 940299474 | Lazer Warning Label A..... | 1 |
| 13 | 967952001 | Torsion Spring..... | 1 | 32 | 940299475 | Lazer Warning Label B..... | 1 |
| 14 | 6447602 | Lower Blade Guard..... | 1 | 33 | 974716001 | Wrench..... | 1 |
| 15 | 718602804 | Retaining Ring | 1 | 34 | 614658010 | Screw (8-32 x 3/8 In. Pan Hd.)..... | 1 |
| 16 | 967887003 | Inner Flange Bushing..... | 1 | 35 | 706404007 | Hex Nut (8-32)..... | 1 |
| 17 | 680783004 | Saw Blade..... | 1 | 36 | 590180002 | Handle Lever..... | 1 |
| 18 | 998463001 | Outer Blade Washer..... | 1 | 37 | 615954003 | Screw (8-18 x 3/8 In. Pan Hd.)..... | 2 |
| 19 | 623547002 | Spring Washer | 1 | | | | |

RYOBI CIRCULAR SAW – MODEL NUMBER CSB140LZ

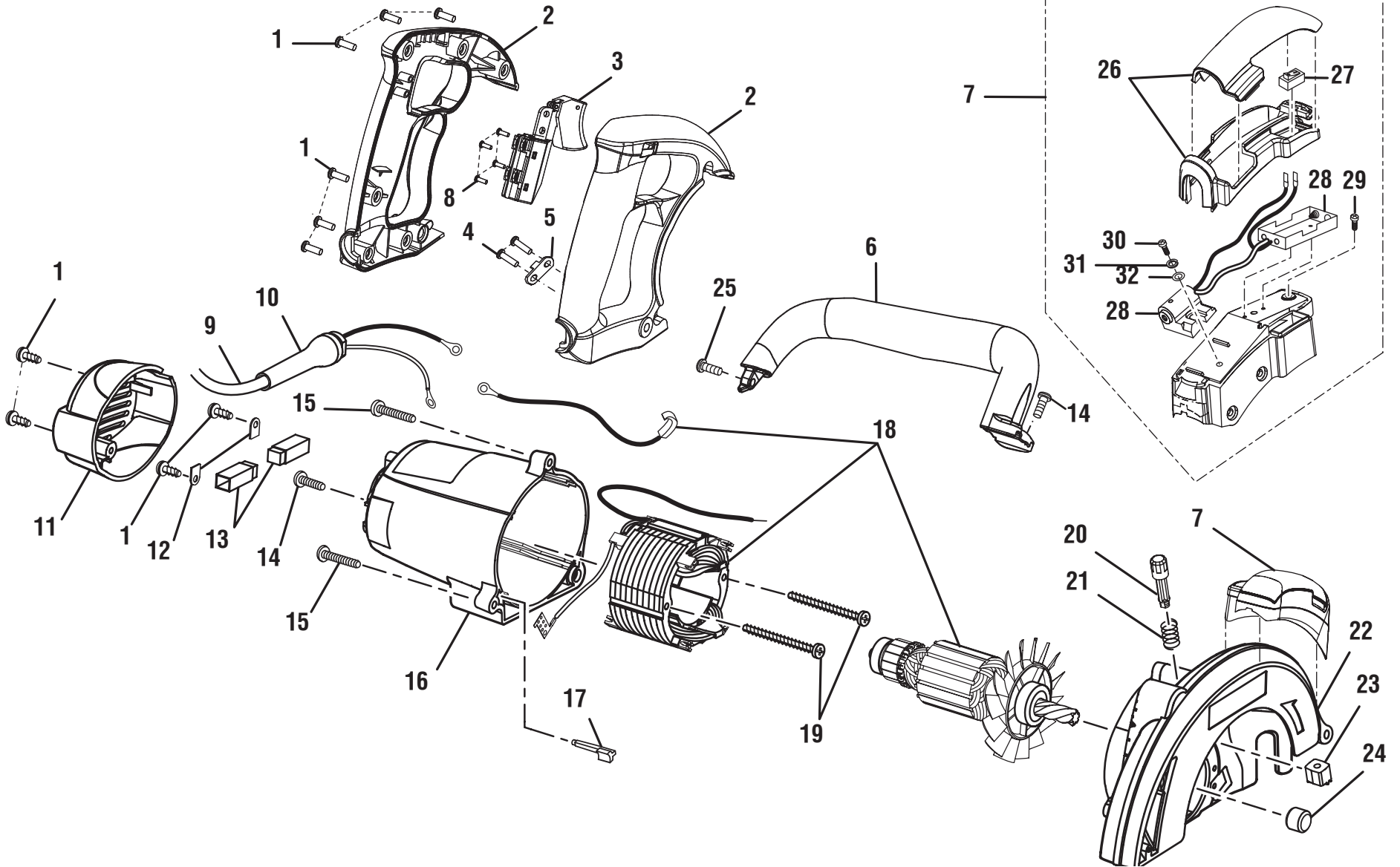


FIGURE B

⚠ WARNING: IMPROPER REPAIR OF A DOUBLE INSULATED TOOL CAN RESULT IN DAMAGES TO THE DOUBLE INSULATION SYSTEM POSSIBLY CAUSING ELECTRICAL SHOCK OR ELECTROCUTION. ANY REPAIRS REQUIRING DISASSEMBLY OF YOUR TOOL REQUIRES SAFETY TESTING AND SHOULD ONLY BE PERFORMED BY A RYOBI AUTHORIZED SERVICE CENTER. FOR THE SERVICE CENTER NEAREST YOU CALL 1-800-525-2579.

RYOBI CIRCULAR SAW – MODEL NUMBER CSB140LZ

The model number will be found on a label attached to the motor housing. Always mention the model number in all correspondence regarding your **CIRCULAR SAW** or when ordering parts.

**PARTS LIST
(Figure B)**

| KEY NO. | PART NUMBER | DESCRIPTION | QTY. |
|----------------|--------------------|--|-------------|
| 1 | 968702007 | Screw (8-16 x 1/2 In. Pan Hd.)..... | 10 |
| 2 | 200235003 | Handle Assembly | 1 |
| 3 | 760245003 | Switch | 1 |
| 4 | 6620614 | Screw (M3.5 x 14mm) | 2 |
| 5 | 590924001 | Cord Clamp..... | 1 |
| 6 | 5532101 | Handle..... | 1 |
| 7 | 301122001 | Lazer Guide Attachment | 1 |
| 8 | 660320001 | Screw | 4 |
| 9 | 290086022 | Cord | 1 |
| 10 | 590274005 | Bend Relief..... | 1 |
| 11 | 380320003 | End Cap | 1 |
| 12 | 617800002 | Clamp..... | 2 |
| 13 | 968173001 | Brush Assembly | 2 |
| 14 | 982500131 | Screw (10-24 x 3/4 In. Pan Hd.)..... | 2 |
| 15 | 982500137 | Screw (10-24 x 1-1/8 In. Pan Hd.)..... | 2 |
| 16 | 5531904 | Motor Housing | 1 |
| 17 | 5579301 | Wire Holder | 1 |
| 18 | 200146020 | Motor Assembly | 1 |
| 19 | 660101004 | Screw (8-10 x 2-1/2 In. Pan Hd.)..... | 2 |
| 20 | 5542103 | Shaft - Gear Rack | 1 |
| 21 | 621342000 | Spring..... | 1 |
| 22 | 640544004 | Upper Blade Guard | 1 |
| 23 | 6889601 | Rack - Shaft Lock | 1 |
| 24 | 968149003 | Sleeve Bearing | 1 |
| 25 | 6631303 | Screw (8-16 Ph)..... | 1 |
| 26 | 200314001 | Laser Guide Housing Assembly..... | 1 |
| 27 | 301246001 | Switch | 1 |
| 28 | 301245001 | Laser/Battery Assembly | 1 |
| 29 | 660212034 | Screw (M4 x 8 mm Pan Hd.) | 1 |
| 30 | 660212035 | Screw (M4 x 10 mm Pan Hd.) | 1 |
| 31 | 670115001 | Lock Washer | 1 |
| 32 | 671664001 | Washer | 1 |

Not Shown:

- 902164002 Tool Bag
- 983000474 Operator's Manual
- 4-5-13
- (REV:02)