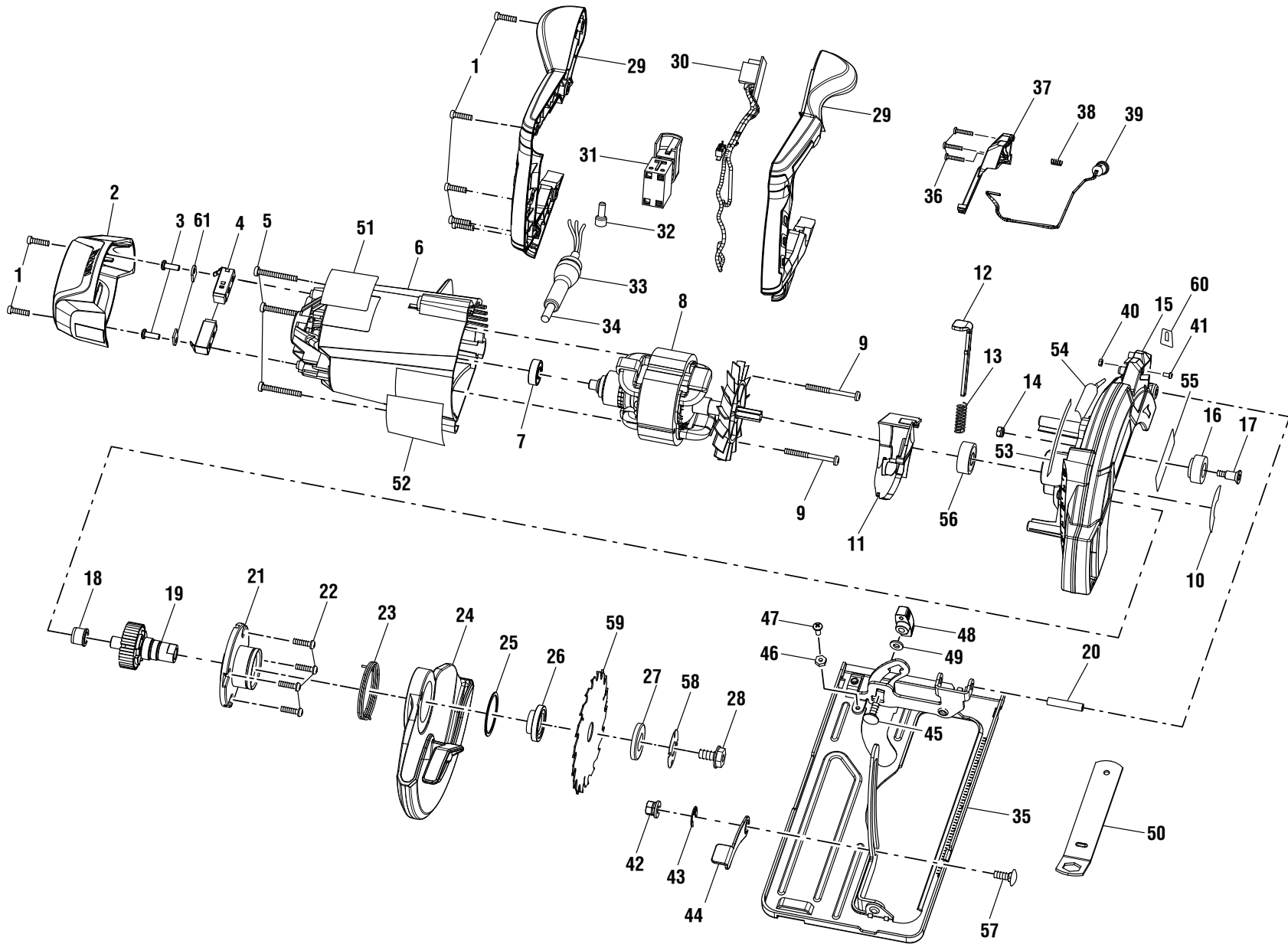


**RYOBI 7-1/4 in.
CIRCULAR SAW
MODEL NO. CSB135L
REPAIR SHEET**

RYOBI 7-1/4 in. CIRCULAR SAW – MODEL NUMBER CSB135L



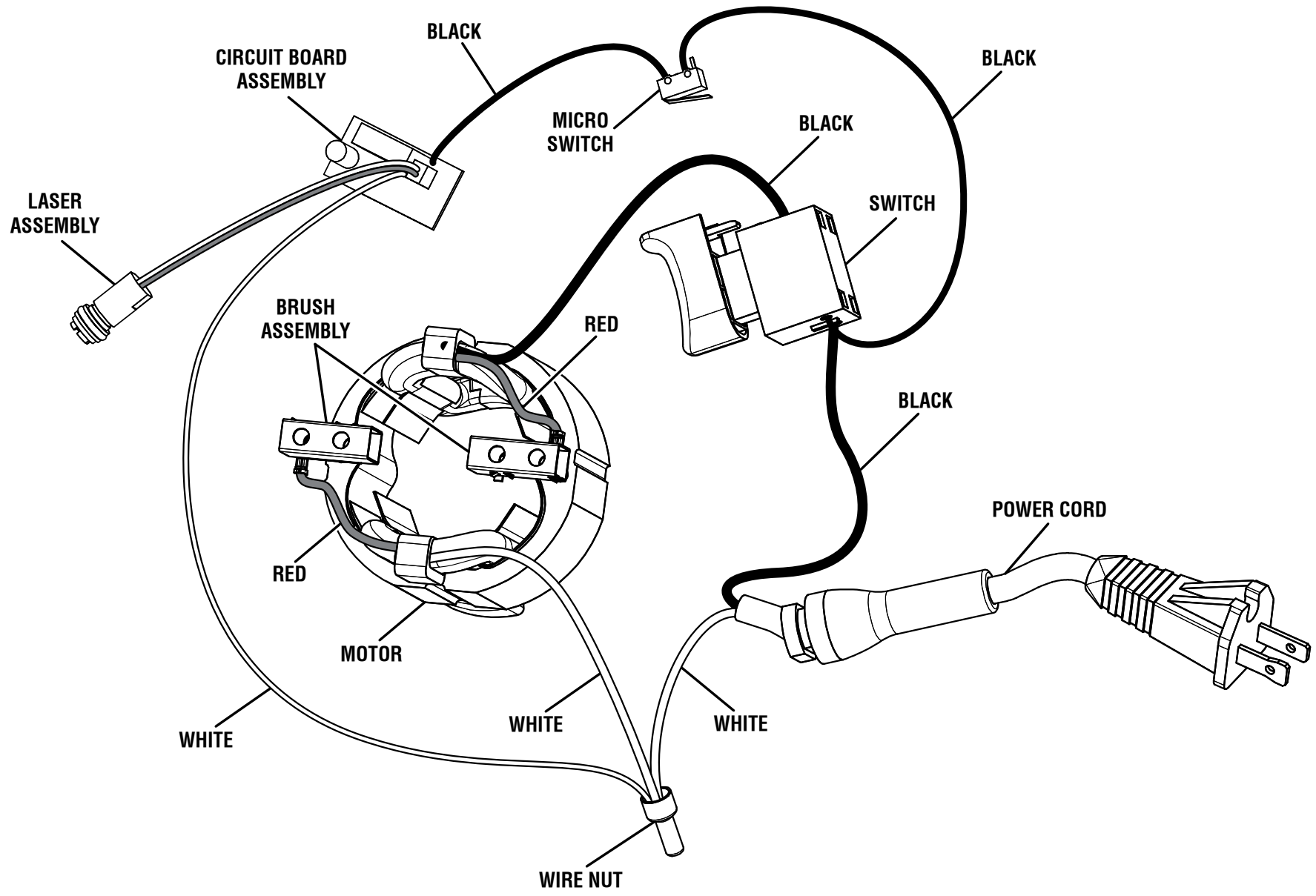
⚠ WARNING: Improper repair of a double insulated tool can result in damages to the double insulation system possibly causing electrical shock or electrocution. Any repairs requiring disassembly of your tool requires safety testing and should only be performed by a Ryobi Authorized Service Center. For the service center nearest you call 1-800-525-2579.

RYOBI 7-1/4 in. CIRCULAR SAW – MODEL NUMBER CSB135L

The model number will be found on a label attached to the motor housing. Always mention the model number in all correspondence regarding your **CIRCULAR SAW** or when ordering parts.

KEY NO.	PART NUMBER	DESCRIPTION	QTY	KEY NO.	PART NUMBER	DESCRIPTION	QTY
1	660208052	Screw (M4 x 16 mm, Pan Hd.).....	7	34	730372040	Power Cord.....	1
2	305535005	End Cover	1	35	305380003	Base Assembly (Inc. Key Nos. 45-50)	1
3	660140002	Screw (6-18 x 13 mm).....	2	36	660206042	Screw (M3.5 x 16 mm, Pan Hd.).....	3
4	290075051	Brush Assembly.....	2	37	351101001	Laser Cover	1
5	660259008	Screw (M4.5 x 35 mm).....	3	38	693240001	Compression Spring	1
6	528060001	Motor Housing	1	39	291129001	Laser Assembly	1
7	681304001	Ball Bearing (608-2RS)	1	40	513075002	Hex Nut (M3).....	1
8	291012005	Motor Assembly (Inc. Key No. 7)	1	41	512963002	Nylon Screw (M3 x 6 mm, Special).....	1
9	660101002	Screw (4.2 x 2.54 x 50, Type B Pan Hd.)	2	42	612031001	Depth Lock Nut (1/4-20)	1
10	941120012	Warning Label	1	43	634295001	E-Ring	1
11	525084001	Volute	1	44	634293001	Depth Lock Lever	1
12	634292001	Spindle Lock.....	1	45	660104010	Carriage Bolt (1/4-20 x 5/8 in.)	2
13	693411002	Compression Spring	1	46	660106007	Hex Nut (8-32).....	1
14	670974003	Lock Nut (M5)	1	47	660112006	Screw (8-32 x 11/32 in., Pan Hd.).....	1
15	202001006	Upper Blade Guard Assembly (Inc. Key Nos. 10, 18 and 48).....	1	48	301124020	Bevel Lock Knob.....	1
16	561984001	Bumper	1	49	680771002	Washer (OD5/8 x ID7/16 x 1/16t).....	1
17	660193005	Shoulder Screw (M5 x 20 mm)	1	50	634389001	Blade Wrench	1
18	680413005	Bushing.....	1	51	941121354	Data Label.....	1
19	305403001	Output Shaft and Gear Assembly.....	1	52	941120008	Warning Label.....	1
20	680980003	Roll Pin.....	1	53	941006007	Laser Label (Eng/Fr).....	1
21	305401001	Lower Blade Guard Support Assembly (Inc. Key No. 19)	1	54	941006008	Laser Label (Sp).....	1
22	661349001	Screw (M4 x 16 mm, Pan Hd.).....	4	55	941002019	Logo Label	1
23	680672006	Torsion Spring.....	1	56	681717001	Ball Bearing (6000-2RS)	1
24	524934002	Lower Blade Guard.....	1	57	693616001	Carriage Bolt (1/4-20 x 5/8 in., Special).....	1
25	693438001	Retaining Ring	1	58	680776001	Spring Washer	1
26	611791001	Inner Flange Bushing.....	1	59	681323001	Blade (7-1/4 in., 20 Tooth Carbide Tipped)...	1
27	680775001	Outer Blade Washer.....	1	60	941001058	Laser Label	1
28	660988001	Blade Screw (5/16-18 x 9/16 in.)	1	61	630801001	Clamp	2
29	202144002	Handle Assembly.....	1	Not Shown:			
30	280226001	Circuit Board w/Micro Switch Assembly	1	202218001	Edge Guide Kit (Optional)		
31	760476004	Switch	1	200673002	Dust Nozzle Kit (Optional)		
32	790021001	Closed End Wire Connector	1	990000960	Operator's Manual		
33	551060003	Bend Relief	1	11-11-14			
				(Rev:01)			

RYOBI 7-1/4 in. CIRCULAR SAW – MODEL NUMBER CSB135L



WIRING DIAGRAM