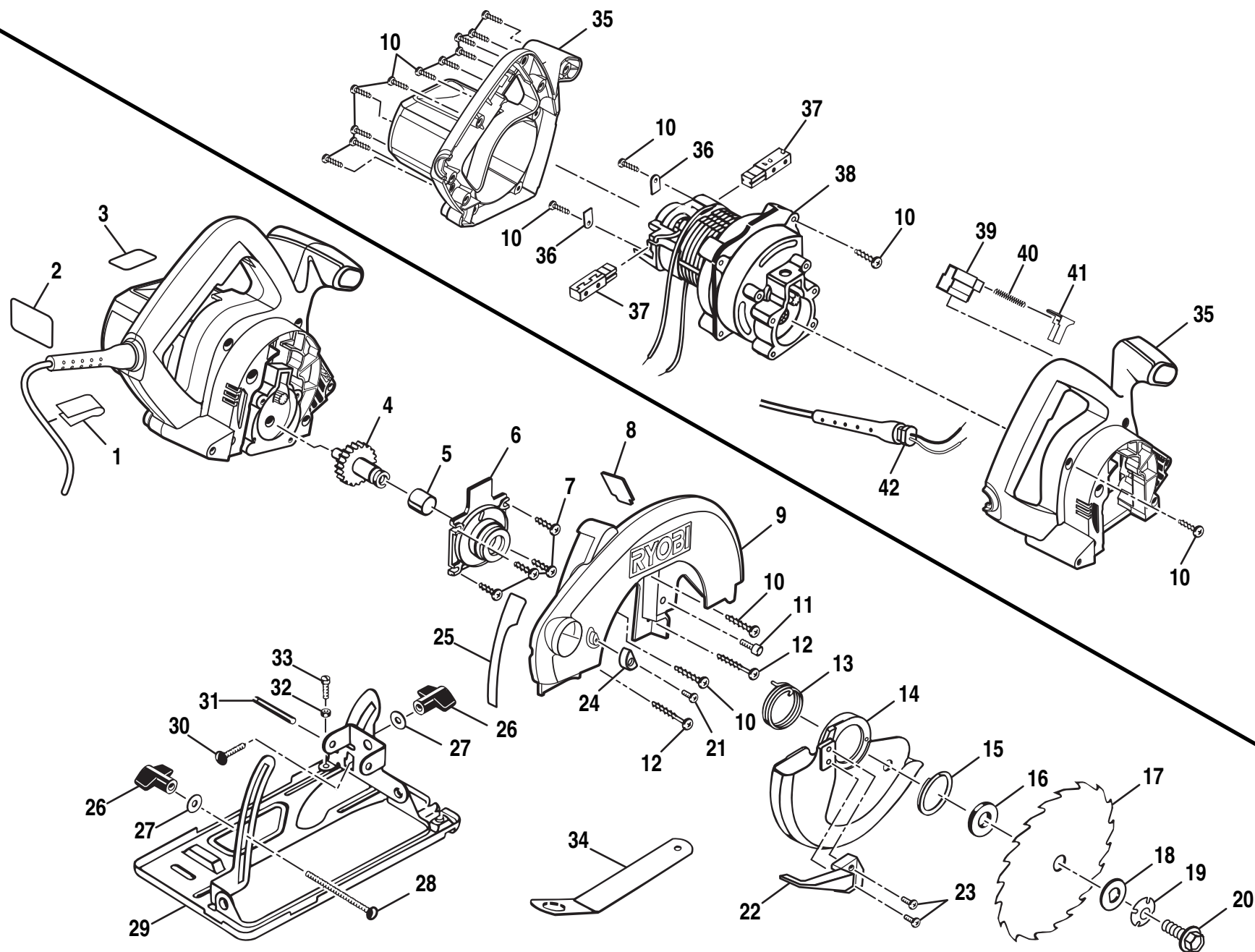


RYOBI CIRCULAR SAW – MODEL NUMBER CSB120



⚠ WARNING: Improper repair of a double insulated tool can result in damages to the double insulation system possibly causing electrical shock or electrocution. Any repairs requiring disassembly of your tool requires safety testing and should only be performed by an Authorized Service Center or other qualified service organization.

RYOBI CIRCULAR SAW – MODEL NUMBER CSB120

The model number will be found on a plate attached to the motor housing. Always mention the model number in all correspondence regarding your **CIRCULAR SAW** or when ordering repair parts.

PARTS LIST

Key No.	Part Number	Description	Quan.	Key No.	Part Number	Description	Quan.
1	980648-001	CORD TAG	1	23	615954-003	SCREW (#8-18 X 3/8 IN. PAN HD. T. F.) ...	2
2	976983-001	DATA PLATE	1	24	976907-001	BUMPER	1
3	976985-001	LOGO PLATE	1	25	976989-001	SCALE DECAL	1
4	968308-009	GEAR AND SPINDLE	1	26	979848-001	ADJUSTMENT KNOB	2
5	999637-002	BEARING	1	27	931744-059	FLAT WASHER	2
6	969373-002	LOWER BLADE GUARD SUPPORT	1	28	621433-018	CARRIAGE BOLT (1/4-20 X 3-3/4 IN.)	1
7	974999-001	SCREW (#10-16 X 3/4 IN. PAN HD.)	4	29	974802-002	BASE ASSEMBLY	1
8	976988-002	SHIELD	1	30	621433-001	CARRIAGE BOLT (1/4-20 X 5/8 IN.)	1
9	977500-002	UPPER BLADE GUARD ASSEMBLY	1	31	941401-004	ROLL PIN	1
10	968702-011	SCREW (#8-16 X 3/4 IN. PAN HD.)	17	32	706404-007	HEX NUT (#8-32)	1
11	968526-001	SCREW (#10-32 X 3/8 IN. SOCKET HD.) ..	1	33	614658-010	SCREW (#8-32 X 3/8 IN. PAN HD.)	1
12	617966-023	SCREW (#8-10 X 2-5/8 IN. PAN HD.)	2	34	974716-001	WRENCH (9/16 IN.)	1
13	967952-001	TORSION SPRING	1	35	974546-002	HOUSING ASSEMBLY	1
14	974771-002	LOWER BLADE GUARD	1	36	617800-002	BRUSH TUBE CLAMP	2
15	718602-804	RETAINING RING	1	37	968304-009	BRUSH TUBE ASSEMBLY	2
16	999982-001	INNER BLADE WASHER	1	38	967807-005	MOTOR MODULE ASSEMBLY (INCLUDES ONE OF KEY NO. 10)	1
17	971570-002	BLADE	1	39	968303-103	SWITCH	1
18	998463-001	OUTER BLADE WASHER	1	40	974565-001	COMPRESSION SPRING	1
19	623547-002	SPRING WASHER	1	41	974545-002	SWITCH TRIGGER	1
20	612999-001	BLADE SCREW (3/8-16 X 3/4 IN. WASHER HD.)	1	42	999506-008	CORD	1
21	090404-080	SCREW (M4 X 8 PAN HD.)	1		972000-508	OWNER'S MANUAL	
22	976906-001	BLADE GUARD HANDLE	1		1-00		