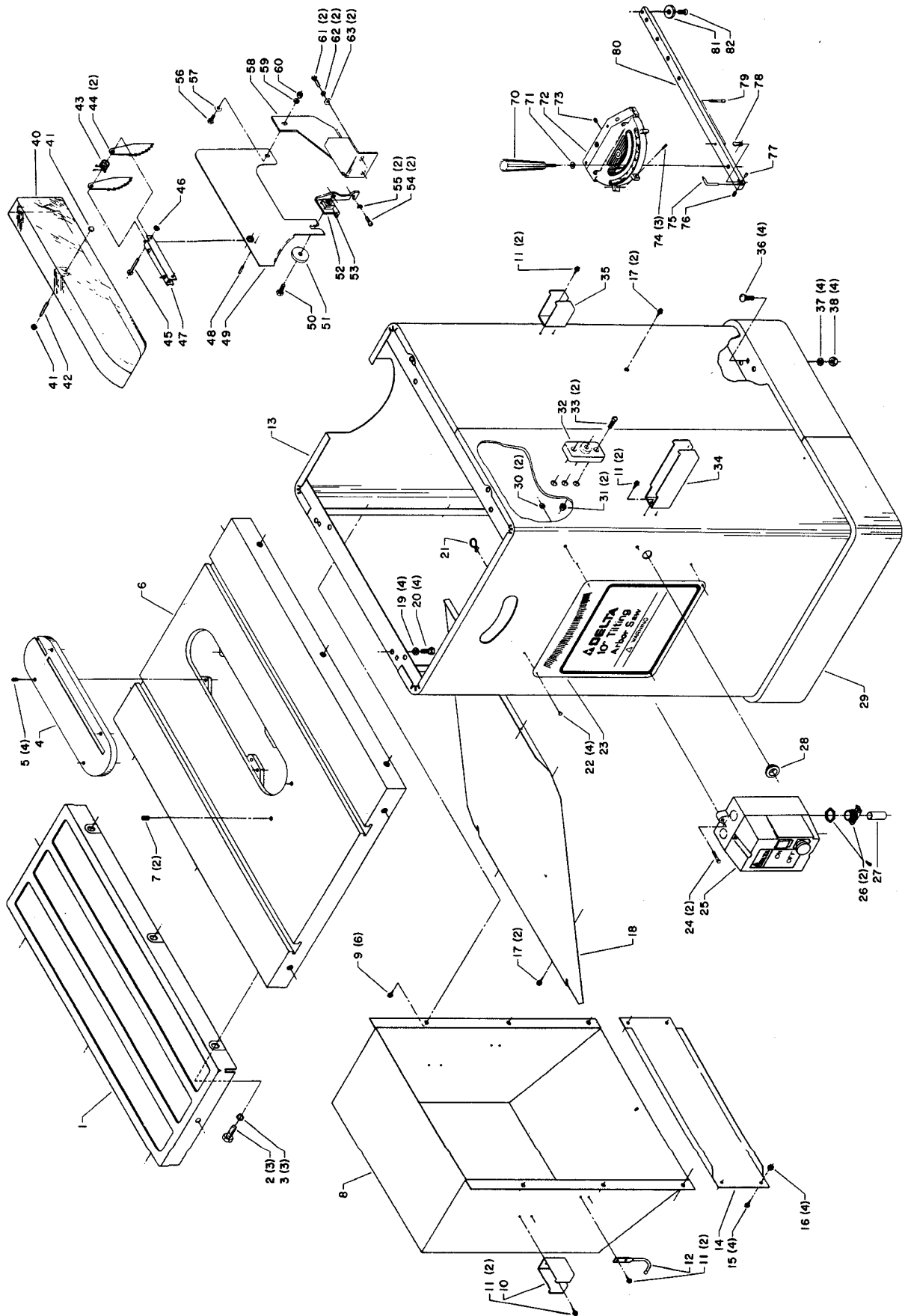


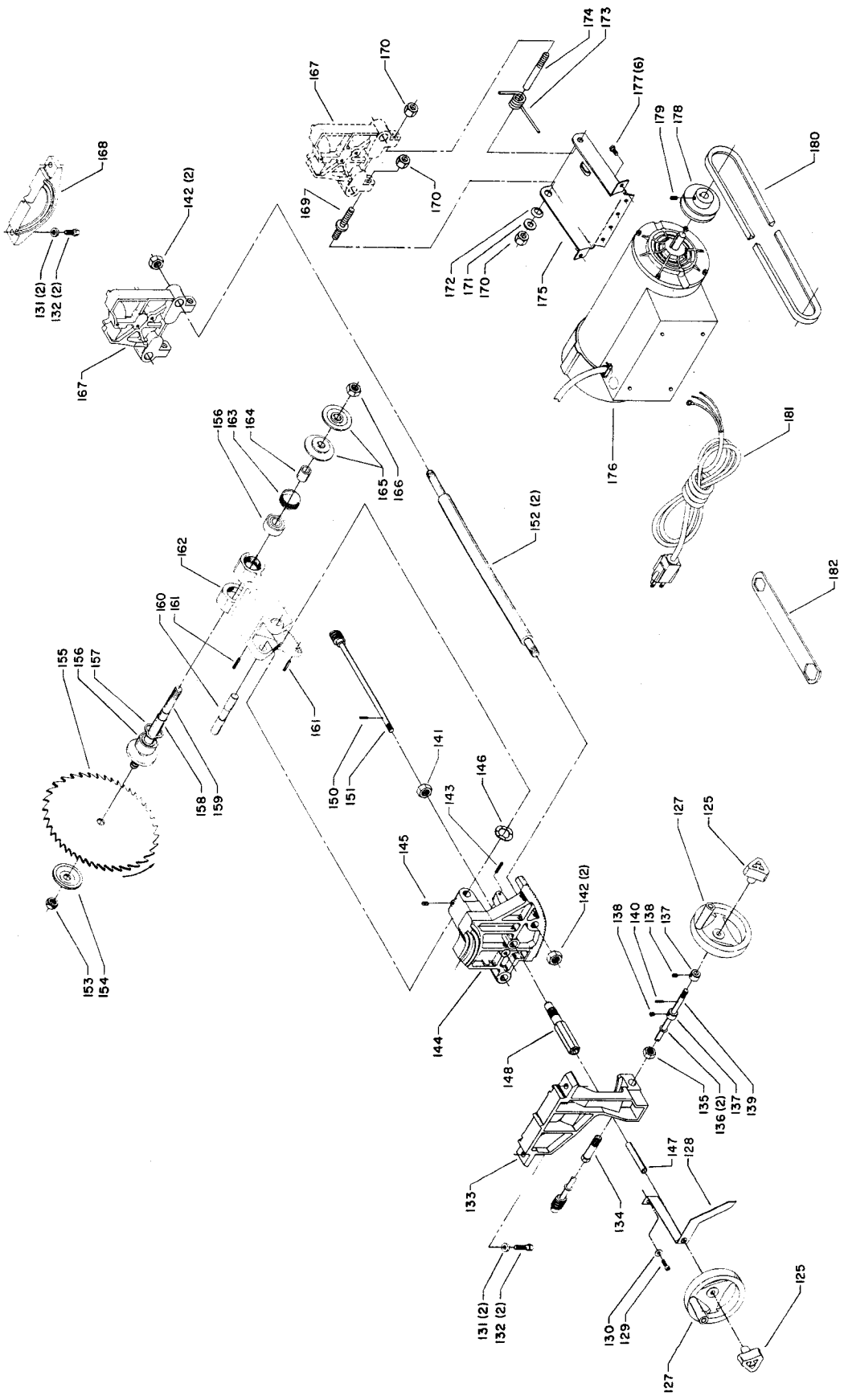
10" TILTING ARBOR SAW (W/STAMPED STEEL EXTENSION WINGS)



REPLACEMENT PARTS

REF. NO.	PART NUMBER	DESCRIPTION
1	34-862	Extension Wing, Incl:
2	901-01-060-0681	7/16-20 X 1 1/2" Hex Hd Screw
3	904-02-010-1716	7/16" Lockwasher
4	34-154	Table Insert, Incl:
5	901-04-461-5297	Pellet Lok Screw
6	422-35-091-0001	T-Slot Table
7	901-04-293-1395	5/16-18 X 1/2" Nyloc Set Screw
8	34-829	Motor Cover, Incl:
9	901-05-213-1498	#10 X 1/2" Slot Hex Washer Hd Screw
10	422-35-014-0001	Miter Gage Holder Bracket
11	901-05-213-1498	#10 X 1/2" Slot Hex Washer Hd Screw
12	422-35-060-0001	Wrench Hook
13	422-35-318-0002	Cabinet Assembly, Incl:
14	422-35-125-0001	Side Panel
15	901-02-763-1525	#10-32 X 3/8" Hex Washer Hd Screw
16	902-01-293-1513	#10-32 Keps Nut
17	901-05-213-1498	#10 X 1/2" Slot Hex Washer Hd Screw
18	422-35-026-0002	Dust Chute
19	904-01-010-1620	5/16" Flat Washer (Early Models Only)
20	1231355	5/16-18 X 1/2" Hex Washer Hd Screw
21	438-01-004-0083	Cable Tie
22	1087794	Rivet
23	422-35-137-0001	Nameplate
24	901-03-010-8073	#10-32 X 7/8" Soc Hd Screw
25	438-01-016-0186	Motor Starter
26	438-01-004-0007	Cable Clamp
27	438-01-011-0054	Sieve
28	438-01-011-0051	Bushing Insulator
29	422-35-305-0001	Sub-base
30	902-01-293-1513	#10-32 Keps Nut
31	902-01-503-1514	5/16-18 Flanged Hex Nut
32	422-03-089-0002	Support
33	901-02-050-0704	5/16-18 X 5/8" Fil Hd Screw
34	422-35-014-0002	Rip Fence Holder Bracket
35	422-35-014-0001	Rip Fence Holder Bracket
36	901-11-023-1476	5/16-18 X 5/8" Carriage Bolt
37	904-01-010-1620	5/16" Flat Washer
38	902-01-010-1300	5/16-18 Hex Nut
*	34-412	Complete Blade Guard Assembly, Const of:
	1086935	Blade Guard, Const of:
40	1086334	"See Thru" Blade Guard
41	1086388	Push Nut Cap
42	1087811	Pin
43	1086353	Spring
44	422-16-047-0001	Kick Back Finger
45	422-16-071-0002	Pin
46	1086387	Push Nut
47	1086337	Pivot Bracket
48	905-01-010-6729	5/32 X 11/16" Roll Pin
49	1086911	Splitter w/Bushing
50	901-01-060-0649	5/16-18 X 1" Hex Hd Screw
51	422-03-072-0001	Plate
52	422-04-314-0017	Bracket, Incl:
53	902-03-013-1063	Tinnerman Nut
54	901-03-010-3309	1/4-20 X 5/8" Soc Hd Screw
55	904-02-020-1702	1/4" Lockwasher
56	901-01-060-0611	1/4-20 X 1/2" Hex Hd Screw
57	904-01-010-1614	1/4" Flat Washer
58	422-19-089-0001	Splitter Support Bracket
59	904-02-020-1702	1/4" Lockwasher
60	902-01-120-1034	1/4-20 Hex Nut
61	901-01-060-0626	1/4-20 X 3/4" Hex Hd Screw
62	904-02-020-1702	1/4" Lockwasher
63	904-01-010-1614	1/4" Flat Washer
70	422-02-060-0003	Handle
*	34-895	Miter Gage, Const of:
71	904-07-010-5555	Fiber Washer
72	422-01-355-0004	Miter Gage Body, Incl:
73	901-04-410-4561	1/4-28 X 1/4" Headless Set Screw
74	901-04-150-9428	#8-32 X 1/2" Hex Soc Set Screw
75	422-01-075-0001	Pointer
76	901-04-410-4561	1/4-28 X 1/4" Headless Set Screw
77	905-04-061-2351	Steel Pin
78	422-01-088-0002	Stop
79	422-01-112-0001	Pivot Screw
80	422-04-004-0001	Guide Bar
81	422-04-072-0001	Plate
82	901-02-030-5750	1/4-28 X 5/16" Flat Hd Screw

* NOT SHOWN ASSEMBLED



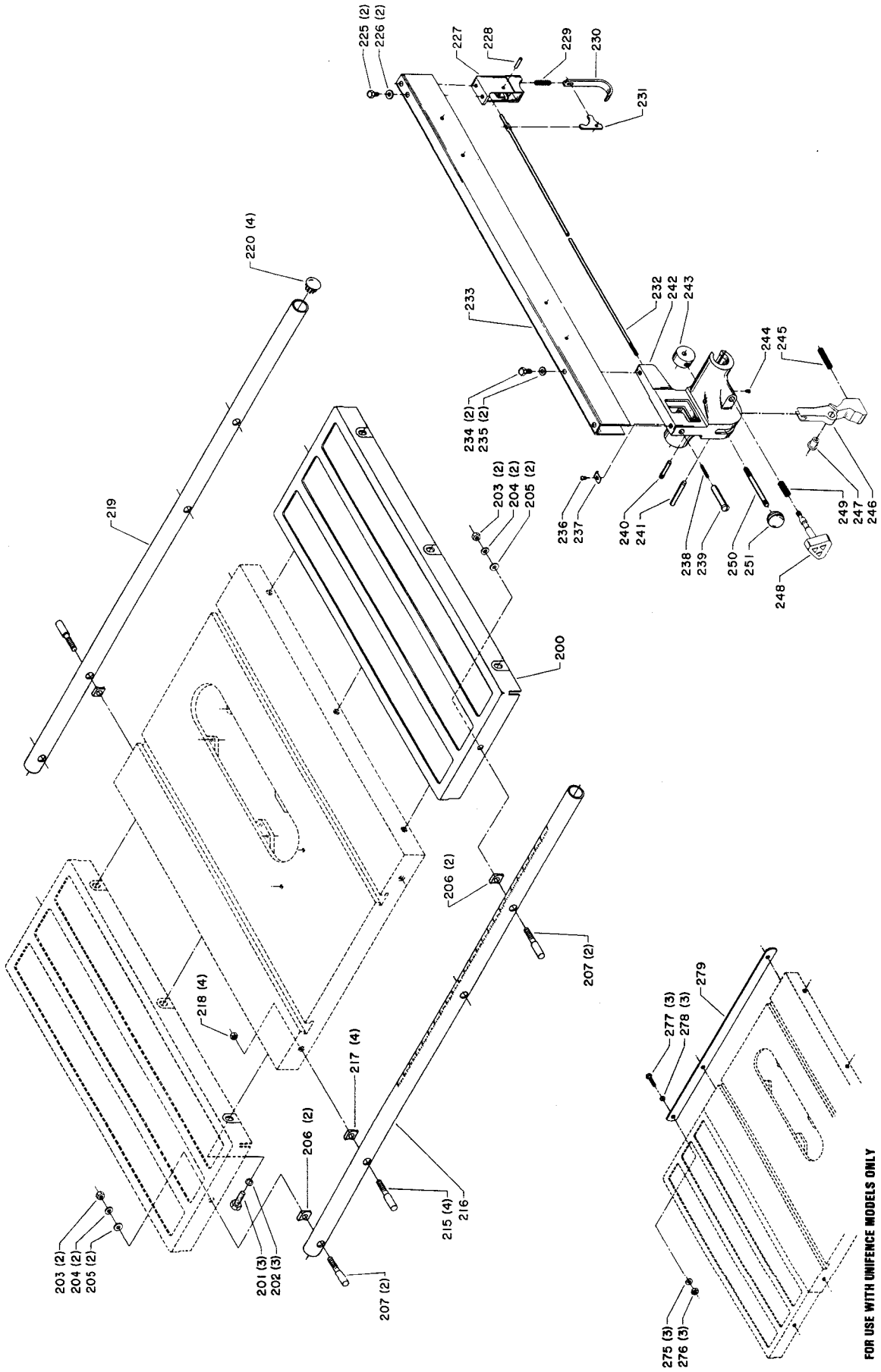
REPLACEMENT PARTS

REF. NO.	PART NUMBER	DESCRIPTION
125	422-03-138-0002	Knob
127	1086491	Handwheel
128	422-19-075-0001	Pointer
129	901-03-010-3309	1/4-20 X 5/8" Soc Hd Screw
130	904-01-010-1614	1/4" Flat Washer
131	904-10-031-3810	Washer (<i>Early Models Only</i>)
132	901-02-763-1526	5/16-18 X 13/16" Hex Washer Hd Screw
133	1087233	Front Trunnion Bracket, Incl:
134	422-35-042-0001	Eccentric
135	902-01-020-9145	9/16-18 Hex Nut
136	904-07-010-5554	Fiber Washer
137	426-03-388-0001	Set Collar, Incl:
138	901-04-150-0208	1/4-20 X 1/4" Hex Soc Set Screw
139	1087893	Tilt Shaft Assembly, Incl:
**	905-01-010-2716	1/8 X 9/16" Roll Pin
140	905-01-010-2711	1/8 X 5/8" Roll Pin
141	902-01-020-1226	5/8-18 Hex Nut
142	902-01-283-1393	5/8-18 Hex Lock Nut
143	905-01-010-2710	3/16 X 7/8" Roll Pin
144	422-35-095-0001	Front Trunnion
145	901-04-141-9152	1/4-20 X 5/16" Hex Soc Set Screw
146	928-06-010-7381	Spring Washer
147	422-19-104-0001	Spacer
148	422-35-105-0001	Sleeve
150	905-01-010-2711	1/8 X 5/8" Roll Pin
151	422-35-406-0001	Elevating Shaft, Incl:
**	905-01-010-2716	1/8 X 9/16" Roll Pin
152	422-35-004-0001	Tie Bar
153	902-01-200-9848	5/8-12 LH Arbor Nut
154	422-04-103-5001	Flange
155	34-105	Combination Blade
156	1086894	Bearing
157	928-06-020-7382	Load Spring
158	1087857	Spacer
159	422-19-303-0002	Arbor w/Flange
160	952-01-101-3267	Shaft
161	905-01-010-2710	3/16 X 7/8" Roll Pin
162	422-02-014-0017	Arbor Bracket
163	902-07-020-7176	Spanner Nut
164	422-19-104-0002	Spacer
165	422-19-130-0001	Pulley Half
166	902-01-020-1226	5/8-18 Hex Nut
167	422-35-095-0002	Rear Trunnion
168	422-02-014-0010	Rear Trunnion Bracket
169	422-35-111-0001	Shoulder Stud
170	902-01-020-1266	1/2-13 Hex Jam Nut
171	904-01-010-1636	Zinc Washer
172	928-05-013-1509	Spring Washer (<i>See Service Note A</i>)
173	928-03-013-1510	Torsion Spring
174	422-35-111-0002	Stud
175	422-35-014-0004	Motor Plate
176	82-010	Motor - Single Phase, 2 HP, 230 V, Incl:
177	901-02-763-1515	1/4-20 X 5/8" Hex Washer Hd Screw
178	926-01-041-8729	Motor Pulley, Incl:
179	901-04-150-0231	5/16-18 X 3/8" Hex Soc Set Screw
180	49-101	V-Belt
181	438-01-302-2013	Power Cord
182	1087708	Wrench

* NOT SHOWN ASSEMBLED
 ** NOT SHOWN

SERVICE NOTES:

A - Must be assembled on stud shoulder with concave face toward motor.



FOR USE WITH UNIFENCE MODELS ONLY

REPLACEMENT PARTS

REF. NO.	PART NUMBER	DESCRIPTION
NOT INCLUDED WITH BASIC MACHINE		
*	34-769	Jet Lock Fence w/Guide Rail & Extension Wing, Const Of:
200	34-862	Extension Wing, Incl:
201	901-01-060-0681	7/16-20 X 1 1/2" Hex Hd Screw
202	904-02-010-1716	7/16" Lockwasher
203	902-01-010-1207	3/8-24 Hex Nut
204	904-02-020-1704	3/8" Lockwasher
205	904-01-010-1615	3/8" Flat Washer
206	422-04-104-0001	Spacer
207	422-04-112-5007	Special Screw
*	34-812	Rails w/Hardware, Incl:
215	422-04-112-5007	Special Screw
216	422-04-055-0001	Front Guide Rail
217	422-04-104-0001	Spacer
218	902-01-010-1207	3/8-24 Hex Nut
219	422-04-055-0002	Rear Guide Rail
220	961-01-010-7462	Plug
*	422-04-343-0008	Rip Fence, Const of:
225	901-01-060-0605	5/16-18 X 1/2" Hex Hd Screw
226	904-01-010-1620	5/16" Flat Washer
227	422-04-010-5002	Block
228	905-04-071-4459	Pin
229	928-01-041-4118	Spring
230	422-04-027-0001	Clamp Hook
231	422-04-067-5001	Lever
232	422-04-108-5001	Rod
233	422-04-343-5002	Fence Body
234	901-01-060-0677	3/8-24 X 1/2" Hex Hd Screw
235	904-01-033-1451	Washer
236	901-02-010-0551	#10-32 X 1/4" Rd Hd Screw
237	951-01-020-7849	Pointer
238	928-01-021-5301	Spring
239	422-04-105-5001	Sleeve
*	422-04-312-5008	Front Clamp, Const of:
240	422-04-071-5005	Pin
241	422-04-071-5004	Pin
242	422-04-012-5005	Front Clamp Body
243	422-04-042-5002	Eccentric
244	901-04-160-6218	1/4-20 X 1/4" Hex Soc Set Screw
245	928-01-041-4123	Spring
246	422-04-327-5002	Front Clamp Shoe, Incl:
247	904-08-021-4550	Rubber Bushing
248	422-04-351-5002	Knob and Pinion Assembly
249	928-01-201-5898	Spring
250	422-04-111-5002	Stud
251	931-01-011-4091	Ball Handle

PARTS LISTED BELOW FOR USE WITH UNIFENCE MODELS ONLY

275	904-01-010-1606	3/8" Flat Washer
276	902-01-010-5900	3/8-16 Hex Nut
277	901-01-060-0642	3/8-16 X 1" Hex Hd Screw
278	904-02-010-1709	3/8" Lockwasher
279	422-27-089-0009	Extension Wing Support

* NOT SHOWN ASSEMBLED

This parts list is provided to aid in obtaining service parts. Copies of the instruction and maintenance literature can be obtained through the Delta Technical Publications Department or through your local service outlet.